

# + Artitech<sup>®</sup>

*Air springs*



## AIR SPRINGS

CATALOGUE



METAL COMPLETE AIR SPRINGS

COMPLETE PLASTIC PISTON

SERVICE ASSEMBLY

BELLOWS AIR SPRINGS

ALUMINUM COMPLETE AIR SPRINGS

[www.artitechautomotive.com](http://www.artitechautomotive.com)

# Index

METAL COMPLETE AIR SPRINGS **05**

---

COMPLETE PLASTIC PISTON **10**

---

SERVICE ASSEMBLY **25**

---

BELLOWS AIR SPRINGS **28**

---

ALUMINUM COMPLETE AIR SPRINGS **60**

---

# Our Products



**01** Metal Complete Air Springs



**02** Complete Plastic Piston



**03** Service Assembly



**04** Bellows Air Springs



**05** Aluminum Complete Air Springs

# FOR FUTURE GENERATIONS



ARTITECH Automotive was established in 2018 in BURSA / Kayapa Organized Industrial Zone and entered the sector with the target of 500.000 Units / Year Installed Capacity with High Pressure Steam Technology in a closed area of approximately 4,000 M2. Its distinctive feature is designed and manufactured with the latest technology of industry-specific special machines. In addition, because the main input of the production consists of rubber and its derivatives, climatic storage space is available for these materials.

It has ISO 9001-2015 quality certificate and IATF 16949 – 2016 studies are continuing. It offers its products to its customers with OEM quality level, timely shipment, dynamic and expert staff. It has ISO 14001 environmental certification in order to fulfill its responsibilities for future generations. With its own laboratory, advanced testing techniques and expert staff can perform the following control, development and finished product performance tests.

---

## our mission,

Our experience in the field of suspension systems and technological developments with the ability to apply our quality products continuously developed by offering our customers, society, environment and contribute to the national economy, is to become a respected and global brand.

---

## our vision,

Our aim is to be a company which is among the world leaders in the sector by determining the agenda in the market and competition by meeting the customer expectations, sought, trusted, exemplary and aiming to develop continuously in the automotive sector.



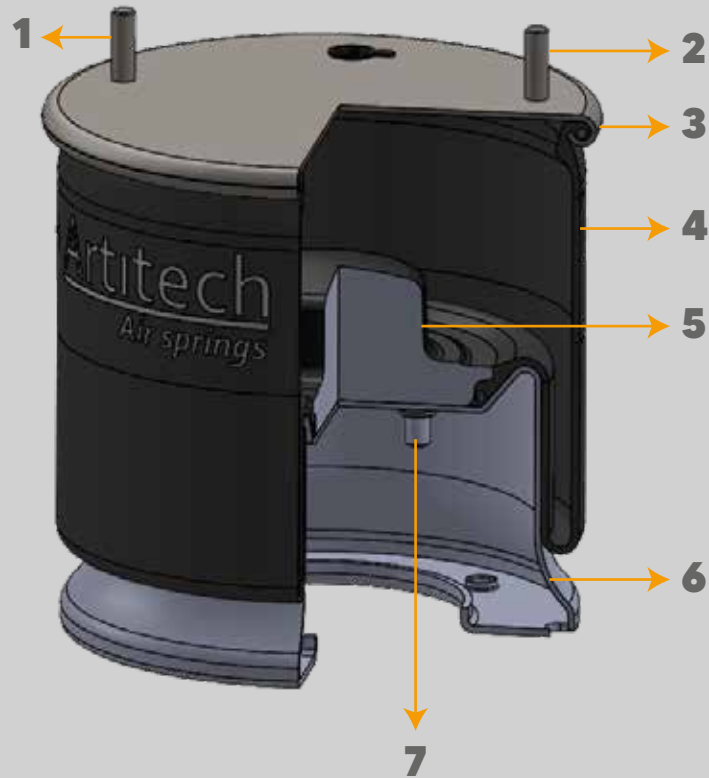
# CERTIFICATE



ABOUT US



# THE COMPONENTS OF AIR SPRING



## The Components of Air Springs

### 1.Stud:

A connecting element that attaches the air spring to the chasis.

### 2.Combo Stud:

Combination mounting air spring to the chasis and air fitting.

### 3.Bead Plate:

A metal part that connects the top side of the air spring to the chasis.

### 4.Bellows:

The main part of an air spring that made of rubber, absorbs vibration by pressing air.

### 5.Bumper:

A safety part that prevents damage of the top and bottom metal parts when the air spring suddenly explodes.

### 6.Piston:

Connects the air spring to the axle; metal, plastic and aluminum versions are available and is set on the bottom of the air spring.

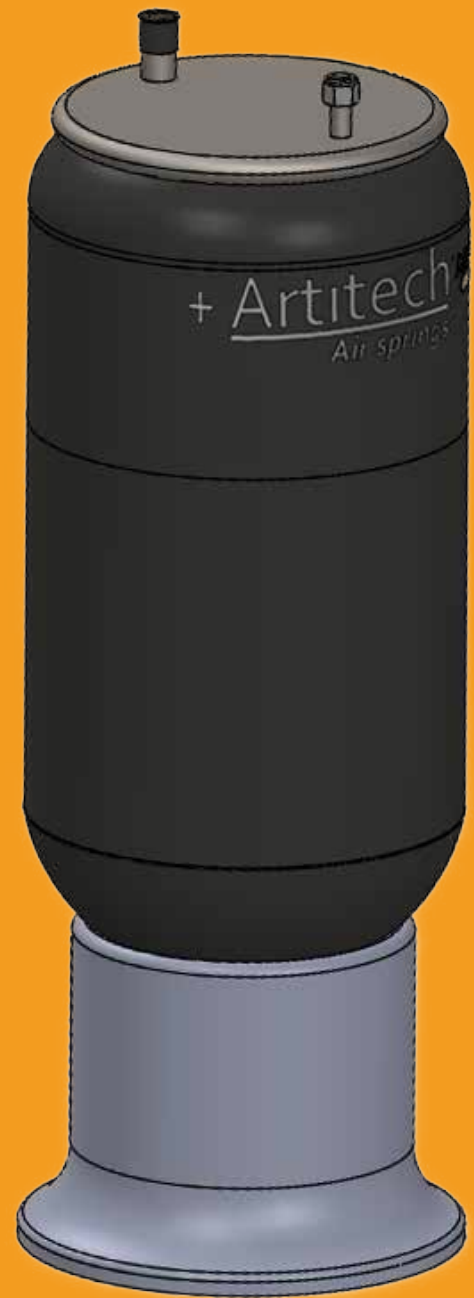
### 7.Piston Bolt:

A connecting element that provides mounting of the piston to the rubber bellow.

# 01

## **METAL COMPLETE**

### Air Springs



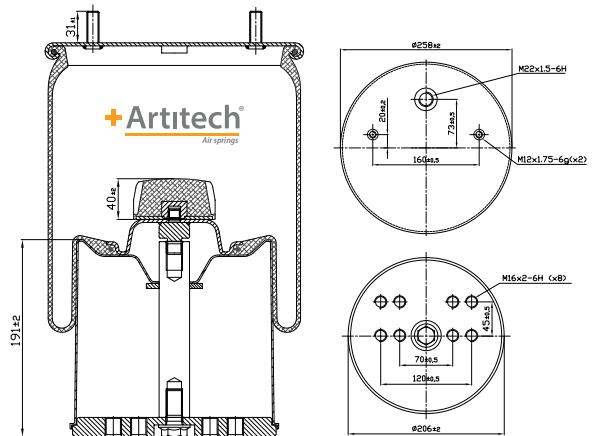
CODE  
**A4.724.C02**

CROSS REFERENCES

CONTITECH 724 N P02

OEM PART NO

GIGANT 166259



Product Explanation | Metal Complete Air Springs

Pallet Quantity : 28

Product Weight : 10,50 Kg.

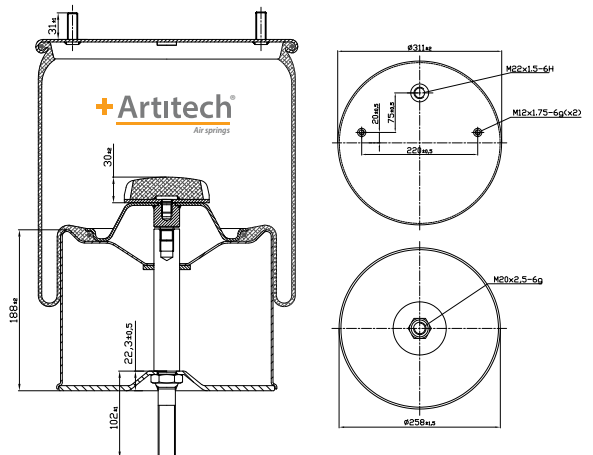
CODE  
**A4.725.C02**

CROSS REFERENCES

CF GOMMA 1TCS 360-45 202964  
CONTITECH 725 N P02  
DUNLOP D14U38  
FIRESTONE 1T66F-10.8  
FIRESTONE W01 M58 8969  
PHOENIX 1 DF 32  
TAURUS UR 836-11

OEM PART NO

GIGANT 166217  
GIGANT 246149



Product Explanation | Metal Complete Air Springs

Pallet Quantity : 18

Product Weight : 12,50 Kg.

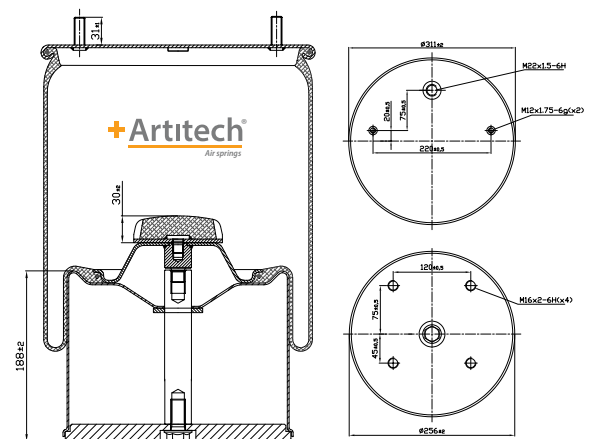
CODE  
**A4.725.C03**

CROSS REFERENCES

CONTITECH 725 N P03  
FIRESTONE 1T66F-10.8  
FIRESTONE W01 M58 8610

OEM PART NO

GIGANT 166 252



Product Explanation | Metal Complete Air Springs

Pallet Quantity : 18

Product Weight : 12,50 Kg.

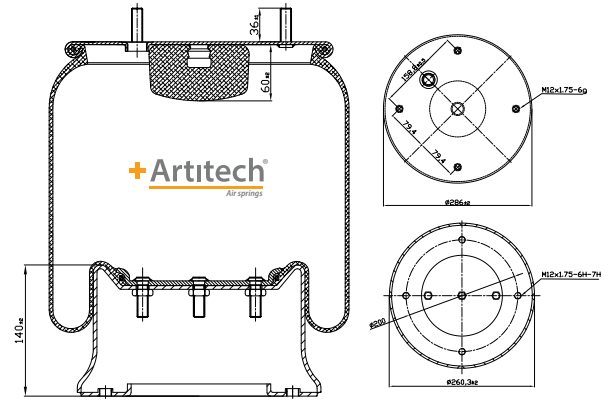
CODE  
**A4.810.C**

CROSS REFERENCES

|           |              |
|-----------|--------------|
| CF GOMMA  | 1T19 E-1     |
| CF GOMMA  | 2 87413/1    |
| CONTITECH | 810 MB       |
| DUNLOP FR | D13B20       |
| DUNLOP UK | PNP311780000 |
| FIRESTONE | 1T19L-7      |
| FIRESTONE | W01 M58 6345 |
| GOODYEAR  | 1R14-716     |
| PHOENIX   | 1D 28 A-2    |
| TAURUS    | KR 621-26    |

OEM PART NO

|             |               |
|-------------|---------------|
| HENDRICKSON | 506243        |
| HENDRICKSON | 785168        |
| HENDRICKSON | B 2065        |
| ROR         | 2120 8032     |
| ROR         | 2121 5632     |
| SAF HOLLAND | 2 228 0002 00 |
| VOLVO       | 1 080 707     |
| WEWELER     | US 00622      |
| WEWELER     | US 07337      |
| YORK        | 785168        |



Product Explanation | Metal Complete Air Springs

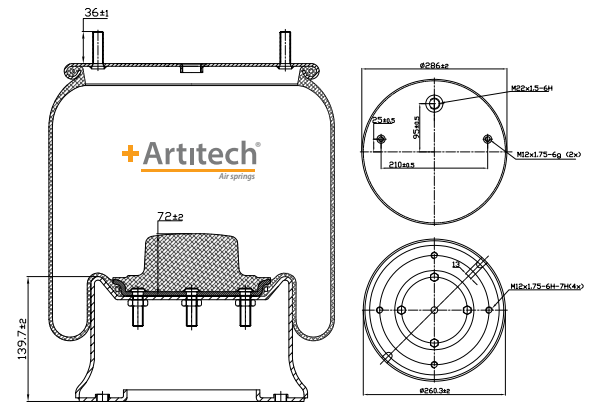
Pallet Quantity : 22

Product Weight :10,50 Kg.

CODE  
**A4.810.C03**

CROSS REFERENCES

OEM PART NO



Product Explanation | Metal Complete Air Springs

Pallet Quantity : 22

Product Weight : 11,23 Kg.

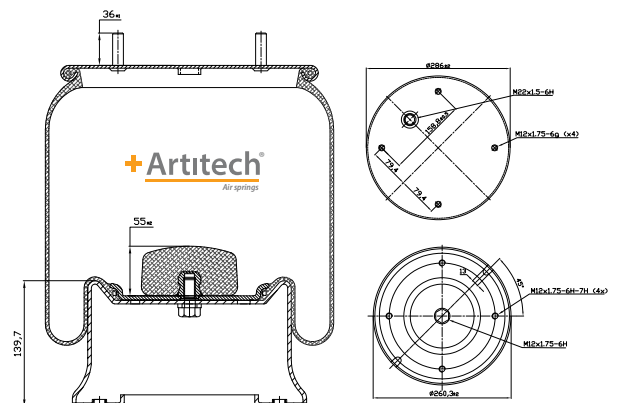
CODE  
**A4.810.C04**

CROSS REFERENCES

|           |              |
|-----------|--------------|
| CONTITECH | 4810 N P04   |
| FIRESTONE | 1T19L-7      |
| FIRESTONE | W01 358 9177 |

OEM PART NO

|                |            |
|----------------|------------|
| HENDRICKSON    | S 2065     |
| R&S TRUCK BODY | 1090216    |
| SAF HOLLAND    | 905 570 03 |



Product Explanation | Metal Complete Air Springs

Pallet Quantity : 22

Product Weight : 11 Kg.



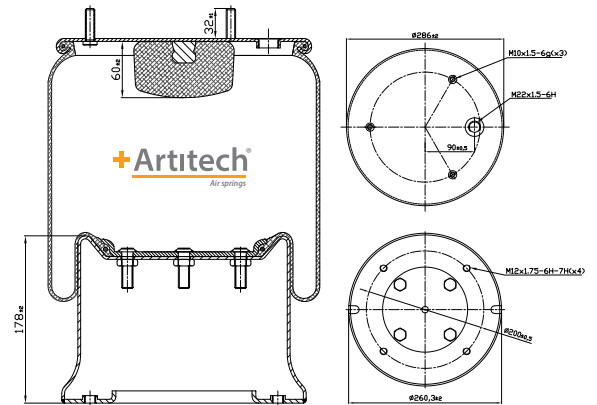
CODE  
**A4.811.C**

CROSS REFERENCES

|           |                 |
|-----------|-----------------|
| CF GOMMA  | 1T19 E-2 203878 |
| CONTITECH | 811 MB          |
| DUNLOP    | D13B34          |
| FIRESTONE | 1T19L-11        |
| FIRESTONE | W01 M58 6359    |
| GOODYEAR  | 1R14-71         |

OEM PART NO

|             |              |
|-------------|--------------|
| DAF         | 1 384 274    |
| RENAULT RVI | 5000 745 918 |



Product Explanation | Metal Complete Air Springs

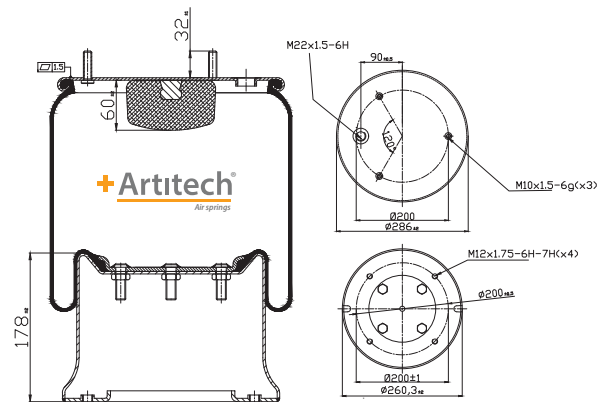
Pallet Quantity : 22

Product Weight :13 Kg.

CODE  
**A4.811.C01**

CROSS REFERENCES

OEM PART NO



Product Explanation | Metal Complete Air Springs

Pallet Quantity : 22

Product Weight : 11,58 Kg.

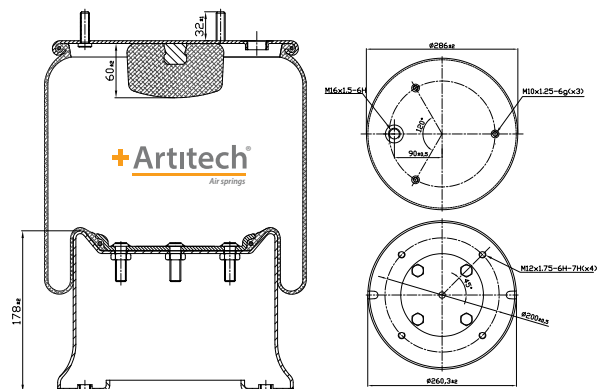
CODE  
**A4.811.C17**

CROSS REFERENCES

|           |              |
|-----------|--------------|
| CONTITECH | 811 M16 K1   |
| DUNLOP    | D13 B36      |
| FIRESTONE | 1T19L-11     |
| FIRESTONE | W01 M58 6334 |
| GOODYEAR  | 1R14-719     |
| PHOENIX   | 1D 28 B-7    |
| TAURUS    | KR 622-31    |

OEM PART NO

|     |           |
|-----|-----------|
| DAF | 0 067 306 |
|-----|-----------|



Product Explanation | Metal Complete Air Springs

Pallet Quantity : 22

Product Weight :13 Kg.

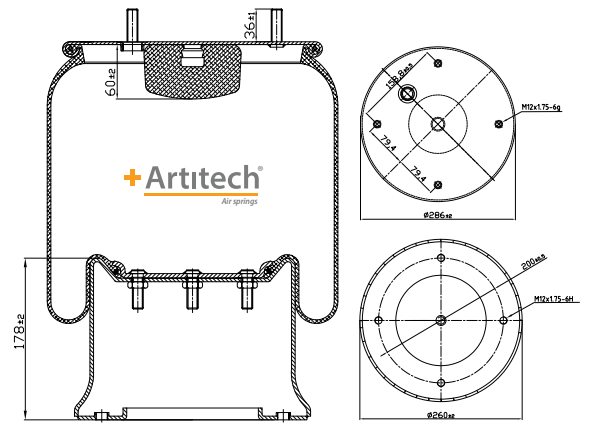
CODE  
**A4.813.C**

CROSS REFERENCES

|           |              |
|-----------|--------------|
| CONTITECH | 813 MB       |
| DUNLOP    | D13 B19      |
| FIRESTONE | 1T19L-11     |
| FIRESTONE | W01 M58 6364 |
| GOODYEAR  | 1R14-705     |
| PHOENIX   | 1D 28 B-2    |
| TAURUS    | KR 622-26    |

OEM PART NO

|             |               |
|-------------|---------------|
| FRUEHAUF    | 003615E       |
| HENDRICKSON | 505859        |
| HENDRICKSON | 785170        |
| HENDRICKSON | B 2063        |
| KASSBOHRER  | 4 731 030 000 |
| KASSBOHRER  | 4 731 033 000 |
| ROR         | 2121 5633     |
| SAF HOLLAND | 2 229 0003 00 |
| WEWELER     | US 07345      |
| WEWELER     | US 87408      |



Product Explanation | Metal Complete Air Springs

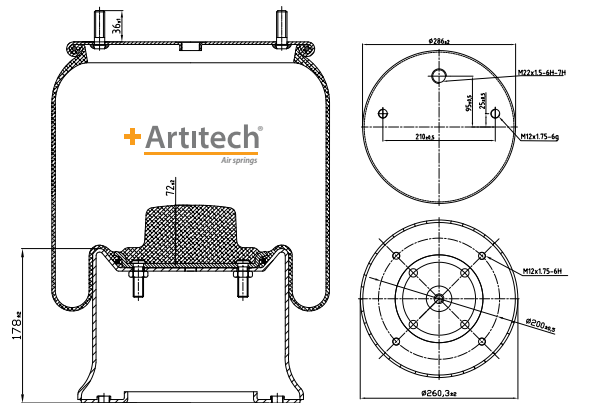
Pallet Quantity : 22

Product Weight :12 Kg.

CODE  
**A4.813.C01**

CROSS REFERENCES

OEM PART NO



Product Explanation | Metal Complete Air Springs

Pallet Quantity : 22

Product Weight : 12,00 Kg.

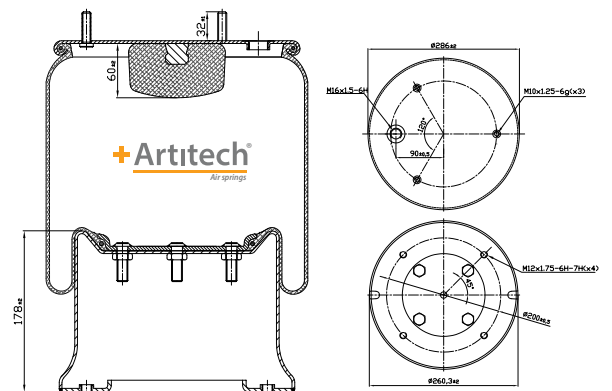
CODE  
**A4.813.C17**

CROSS REFERENCES

|           |              |
|-----------|--------------|
| CF GOMMA  | 1T19 E-2     |
| FIRESTONE | 1T19L-11     |
| FIRESTONE | W01 M58 6361 |
| GOODYEAR  | 1R14-706     |
| PHOENIX   | 1 DK28 B-7   |

OEM PART NO

|            |           |
|------------|-----------|
| BARTOLETTI | 91619011  |
| CARDI      | 580 50700 |
| VIBERTI    | 128147102 |
| ZORZI      | 1006553   |



Product Explanation | Metal Complete Air Springs

Pallet Quantity : 22

Product Weight : 13,50 Kg.



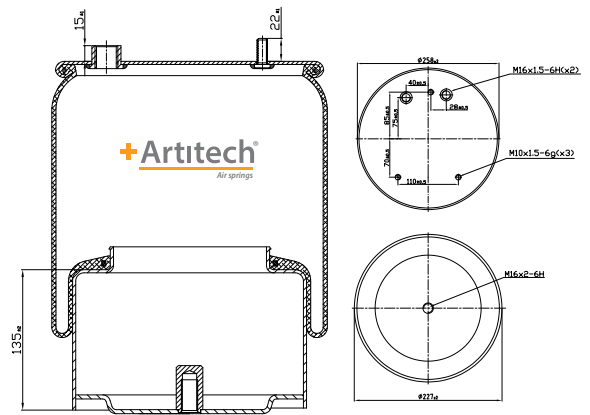
CODE  
**A4.836.2C1**

CROSS REFERENCES

|           |              |
|-----------|--------------|
| CONTITECH | 836 M2 K1    |
| DUNLOP    | D13 B31      |
| FIRESTONE | 1T17AR-4.5   |
| FIRESTONE | W01 M58 8721 |
| GOODYEAR  | 1R12-711     |
| PHOENIX   | 11DF 25-13   |
| TAURUS    | KR 721-03    |

OEM PART NO

|     |           |
|-----|-----------|
| DAF | 0 388 167 |
|-----|-----------|



Product Explanation | Metal Complete Air Springs

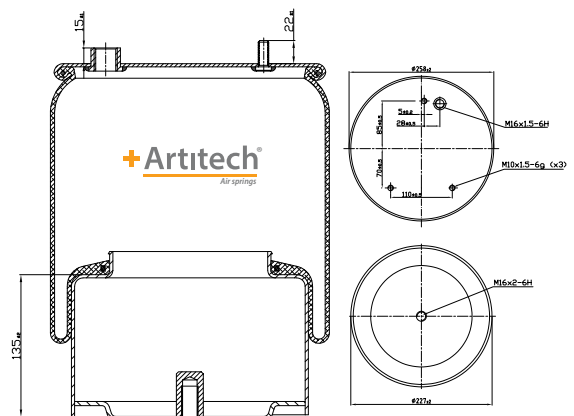
Pallet Quantity : 36

Product Weight : 7,80" Kg.

CODE  
**A4.836.C01**

CROSS REFERENCES

OEM PART NO



Product Explanation | Metal Complete Air Springs

Pallet Quantity : 36

Product Weight :7,50 Kg.

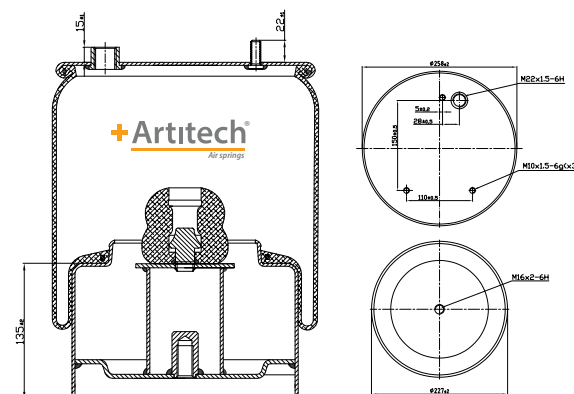
CODE  
**A4.836.C05**

CROSS REFERENCES

|           |           |
|-----------|-----------|
| CONTITECH | 836 N P05 |
|-----------|-----------|

OEM PART NO

|         |           |
|---------|-----------|
| DAF     | 1 152 126 |
| VDL BUS | 1 153 933 |



Product Explanation | Metal Complete Air Springs

Pallet Quantity : 36

Product Weight :10 Kg.

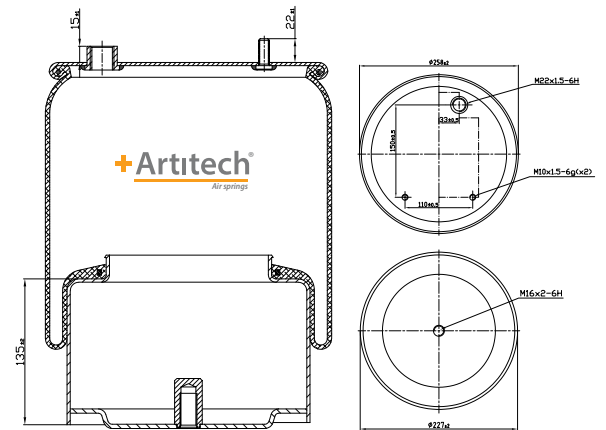
CODE  
**A4.836.C10**

CROSS REFERENCES

CONTITECH 836 N P10

OEM PART NO

DAF 1 794 420



Product Explanation | Metal Complete Air Springs

Pallet Quantity : 36

Product Weight : 7,7 Kg.

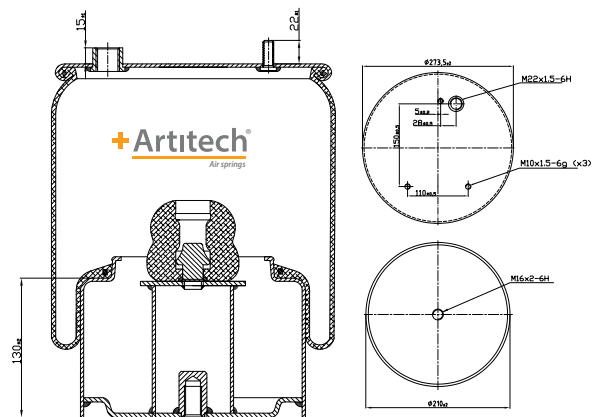
CODE  
**A4.836.C14**

CROSS REFERENCES

CONTITECH 836 N P14

OEM PART NO

VDL BUS 45015337  
VDL BUS 5015337



Product Explanation | Metal Complete Air Springs

Pallet Quantity : XX

Product Weight : 8,80 Kg.

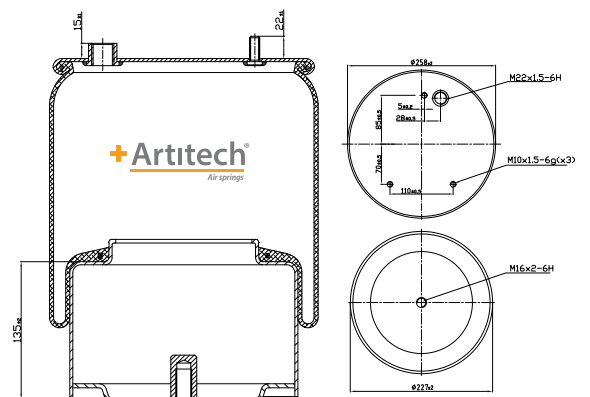
CODE  
**A4.836.C16**

CROSS REFERENCES

CONTITECH 836 N P06  
836 N P06

OEM PART NO

VDL BUS 1 152 221  
VDL BUS 1 153 934



Product Explanation | Metal Complete Air Springs

Pallet Quantity : 36

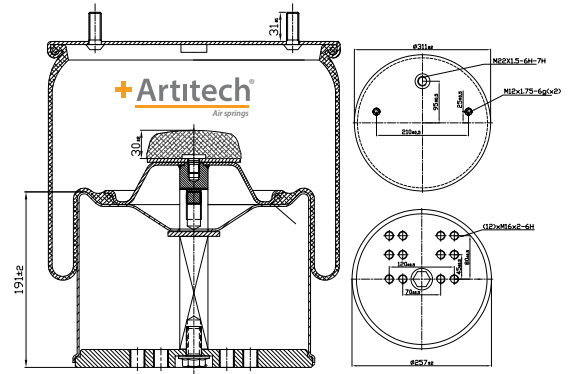
Product Weight :9,50Kg.

CODE  
**A4.836.C50**

CROSS REFERENCES

OEM PART NO

Product Explanation | Metal Complete Air Springs



Pallet Quantity : 36

Product Weight : XX Kg.

CODE  
**A4.881.C**

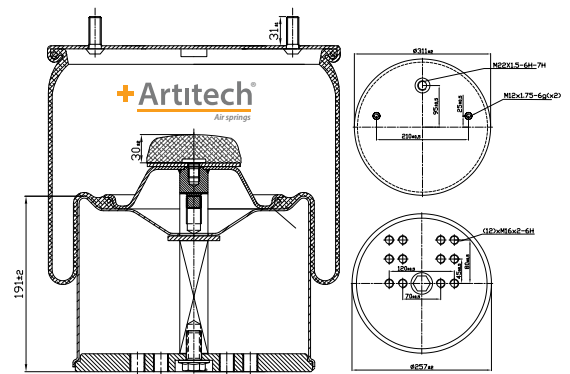
CROSS REFERENCES

OEM PART NO

CF GOMMA 1TC 360-45  
CONTITECH 881 MB  
FIRESTONE 1T66F-10.8  
FIRESTONE W01 M58 8966  
GOODYEAR 1R14-712

BPW 05 429 40 08 1  
BPW 05 429 40 54 0  
BPW 05 429 41 36 1  
BPW TYPE 36

Product Explanation | Metal Complete Air Springs



Pallet Quantity : 18

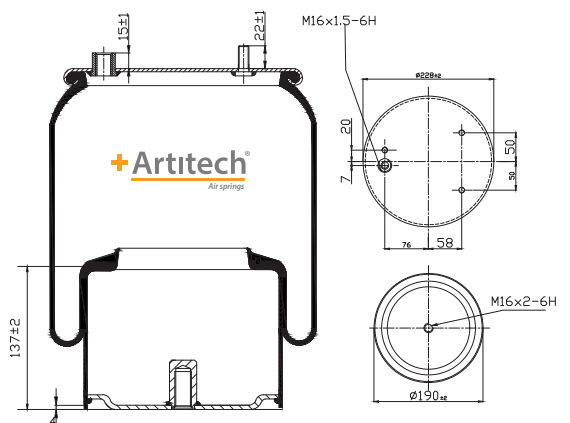
Product Weight :17 Kg.

CODE  
**A4.887.C01**

CROSS REFERENCES

|                         |                 |
|-------------------------|-----------------|
| BLACKTECH               | RML7998C1       |
| BLACKTECH               | RML7998-2C1     |
| CONTITECH               | 887 M K1        |
| FIRESTONE NO.           | W01-M58-8683    |
| FIRESTONE STYLE         | 1T15LNR-3       |
| GOODYEAR                | 1R11-798        |
| GOODYEAR FLEX NO.       | 566-22-3-533    |
| NEOTEC                  | ABM 214 28 A 01 |
| PRIME-RIDE NEW          | 1R11-798        |
| PRIME-RIDE NEW FLEX NO. | 566-22-3-533    |
| SPRINGRIDE              | 1R11-798        |
| SPRINGRIDE FLEX         | 566-22-3-533    |
| VIBRACOUSTIC            | V1DF18-2        |

Product Explanation | Metal Complete Air Springs



Pallet Quantity : 39

Product Weight :6 Kg.

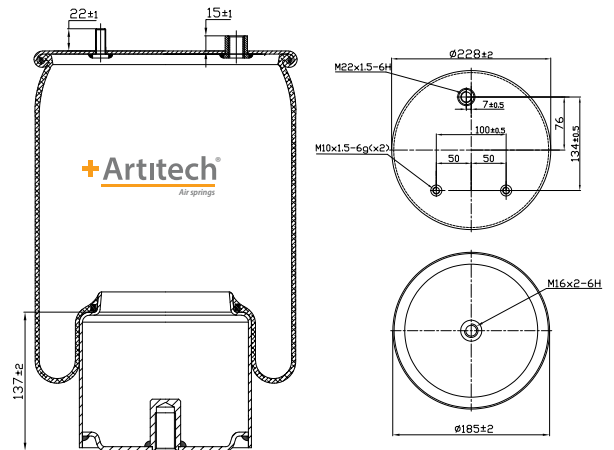
CODE  
**A4.887.C09**

CROSS REFERENCES

CONTITECH 887 N P09

OEM PART NO

DAF 1 794 425



Product Explanation | Metal Complete Air Springs

Pallet Quantity : 39

Product Weight : 6 Kg.

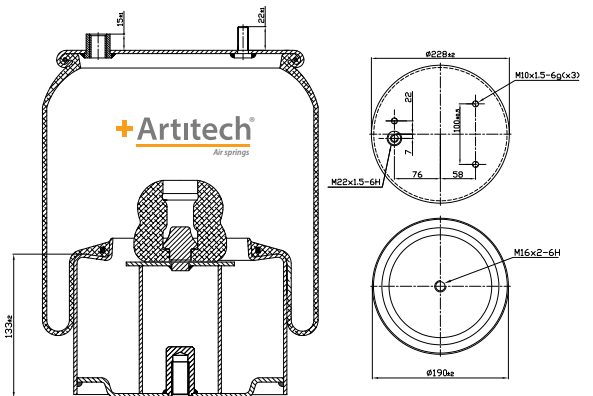
CODE  
**A4.887.C33**

CROSS REFERENCES

CONTITECH 887 N P03

OEM PART NO

VDL BUS 1 153 935



Product Explanation | Metal Complete Air Springs

Pallet Quantity : 39

Product Weight : 8 Kg.

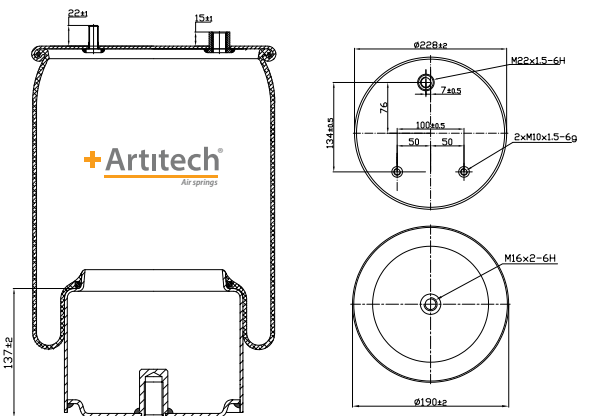
CODE  
**A4.887.C66**

CROSS REFERENCES

CONTITECH 887 N P06

OEM PART NO

DAF 1 794 428



Product Explanation | Metal Complete Air Springs

Pallet Quantity : 39

Product Weight : 6 Kg.

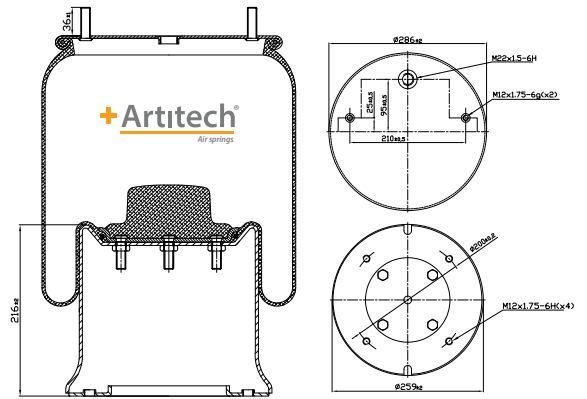
CODE  
**A4.912.C01**

CROSS REFERENCES

|           |              |
|-----------|--------------|
| CONTITECH | 912 N P01    |
| FIRESTONE | 1T19L-14     |
| FIRESTONE | W01 M58 8502 |

OEM PART NO

|             |               |
|-------------|---------------|
| SAF HOLLAND | 3 229 0030 00 |
| WEWELER     | US 07385      |



Product Explanation | Metal Complete Air Springs

Pallet Quantity : 19

Product Weight : 14,50 Kg.

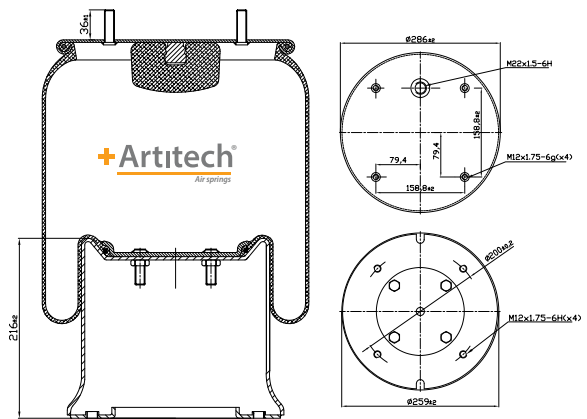
CODE  
**A4.912.C02**

CROSS REFERENCES

|           |              |
|-----------|--------------|
| CF GOMMA  | 1T19 E-4     |
| CONTITECH | 912 N P02    |
| DUNLOP    | D13 B03      |
| FIRESTONE | 1T19L-14     |
| FIRESTONE | W01 M58 8766 |
| GOODYEAR  | 1R14-758     |
| PHOENIX   | 1D 28 D2     |

OEM PART NO

|             |               |
|-------------|---------------|
| HENDRICKSON | 507782        |
| ROR         | 2122 2673     |
| SAF HOLLAND | 2926 (F14)    |
| SAF HOLLAND | 3 229 0013 00 |
| WEWELER     | US 96681      |



Product Explanation | Metal Complete Air Springs

Pallet Quantity : 19

Product Weight : 15 Kg.

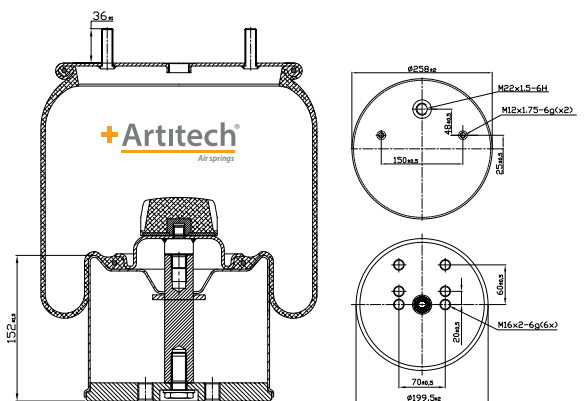
CODE  
**A4.940.C**

CROSS REFERENCES

|            |              |
|------------|--------------|
| CONTITECH  | 940 MB       |
| FIRESTONE  | 1T17D-4,3    |
| FIRESTONE  | W01 M58 8609 |
| GOODYEAR   | 1R11-763     |
| SPRINGRIDE | D11B39       |

OEM PART NO

|     |                |
|-----|----------------|
| BPW | 05 429 40 93 1 |
| BPW | 05 429 41 14 1 |
| BPW | 05 429 41 23 1 |
| BPW | 05 429 42 19 1 |



Product Explanation | Metal Complete Air Springs

Pallet Quantity : 19

Product Weight : 11,50 Kg.

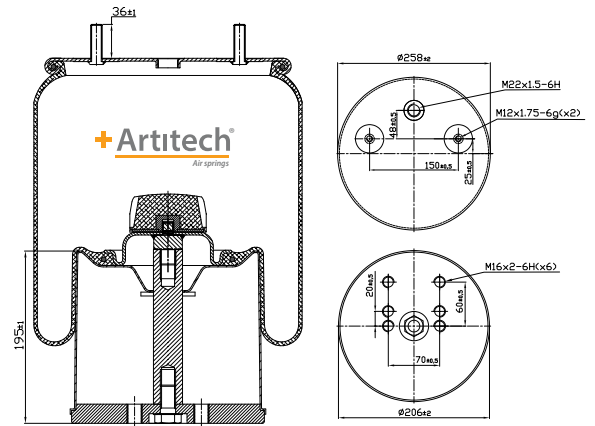
CODE  
**A4.941.C**

CROSS REFERENCES

|           |              |
|-----------|--------------|
| CONTITECH | 941 MB       |
| DUNLOP FR | D11B38       |
| FIRESTONE | 1T17D-8.3    |
| FIRESTONE | W01 M58 8619 |
| GOODYEAR  | 1R11-762     |
| PHOENIX   | 1DK 21       |
| TAURUS    | KR 730-01    |

OEM PART NO

|     |                |
|-----|----------------|
| BPW | 05 429 40 28 1 |
| BPW | 05 429 40 59 1 |
| BPW | 05 429 41 24 1 |



Product Explanation | Metal Complete Air Springs

Pallet Quantity : 28

Product Weight :12,30 Kg.

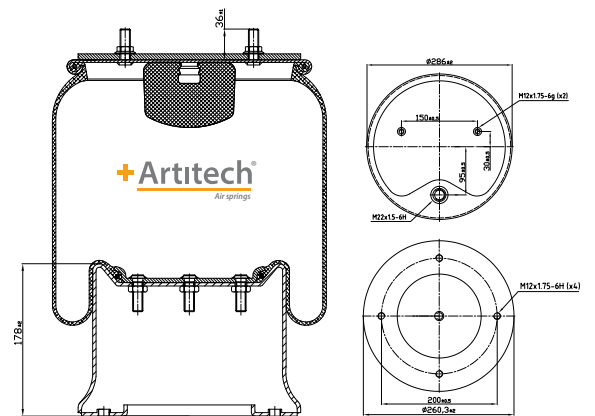
CODE  
**A4.1285.C**

CROSS REFERENCES

|           |              |
|-----------|--------------|
| FIRESTONE | 1T19L        |
| 1T19L     |              |
| FIRESTONE | W01 M58 8107 |
| GART      | 287.4.541    |
| GOODYEAR  | 1R14-784     |
| GOODYEAR  | 1R14-812     |
| PHOENIX   | 1 D 28 F-5   |

OEM PART NO

|         |            |
|---------|------------|
| SCANIA  | 2198324    |
| SCANIA  | US 04029P  |
| SCHMITZ | 017 089    |
| SCHMITZ | 017 685    |
| WEWELER | US 04031 P |
| WEWELER | YP4031N-F  |



Product Explanation | Metal Complete Air Springs

Pallet Quantity : 22

Product Weight :15 Kg.

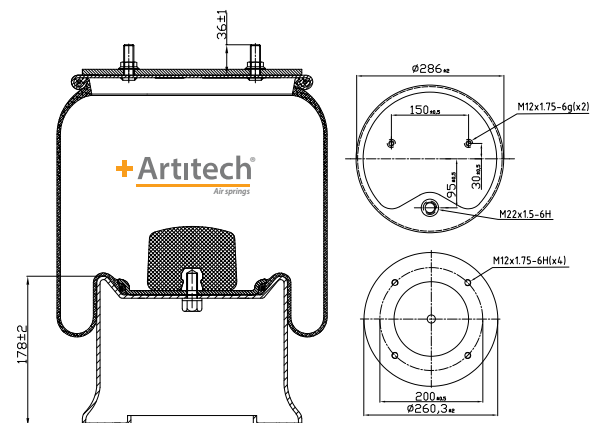
CODE  
**A4.1285.C02**

CROSS REFERENCES

|                         |                 |
|-------------------------|-----------------|
| PRIME-RIDE NEW          | 1R14-784        |
| PRIME-RIDE NEW          | 1R14-812        |
| PRIME-RIDE NEW FLEX NO. | 566-28-3-529    |
| PRIME-RIDE NEW FLEX NO. | 566-28-3-540    |
| BLACKTECH               | RML74031C       |
| BLACKTECH               | RML77685C       |
| DUNLOP F                | D14B49          |
| FIRESTONE NO.           | W01-M58-8107    |
| FIRESTONE STYLE         | 1T19L-11        |
| GOODYEAR                | 1R14-784        |
| GOODYEAR                | 1R14-812        |
| GOODYEAR FLEX NO.       | 566-28-3-529    |
| GOODYEAR FLEX NO.       | 566-28-3-540    |
| NEOTEC                  | ABM 744 35 K 45 |
| SPRINGRIDE              | 1R14-784        |
| SPRINGRIDE              | 1R14-812        |
| SPRINGRIDE FLEX         | 566-28-3-529    |
| SPRINGRIDE FLEX         | 566-28-3-540    |
| VIBRACOUSTIC            | V1 D 28 F-5     |

OEM PART NO

|         |           |
|---------|-----------|
| SCHMITZ | 017 089   |
| SCHMITZ | 017 685   |
| WEWELER | US 04029P |
| WEWELER | US 04031P |
| WEWELER | YP4031N-F |



Product Explanation | Metal Complete Air Springs

Pallet Quantity : 22

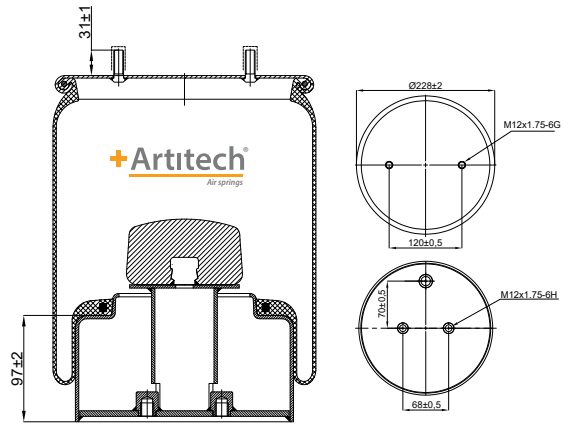
Product Weight : 15 Kg.

CODE  
**A4.1410.C**

CROSS REFERENCES

OEM PART NO

ISUZU 3874531141



Product Explanation | Metal Complete Air Springs

Pallet Quantity : 39

Product Weight : 5,60 Kg.

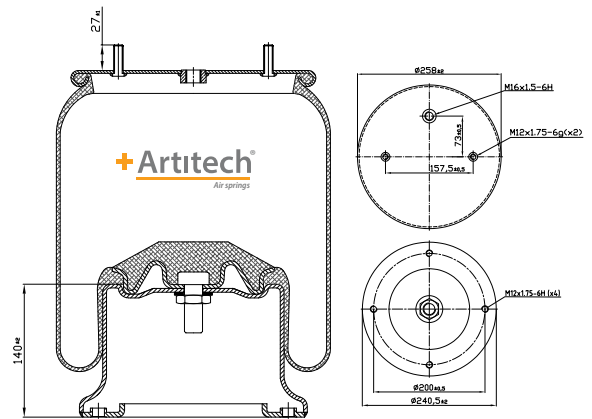
CODE  
**A4.1740.C**

CROSS REFERENCES

GOODYEAR 1R11-740

OEM PART NO

DAF 1616000  
HENDRICKSON HA100310



Product Explanation | Metal Complete Air Springs

Pallet Quantity : 36

Product Weight :9,70 Kg.

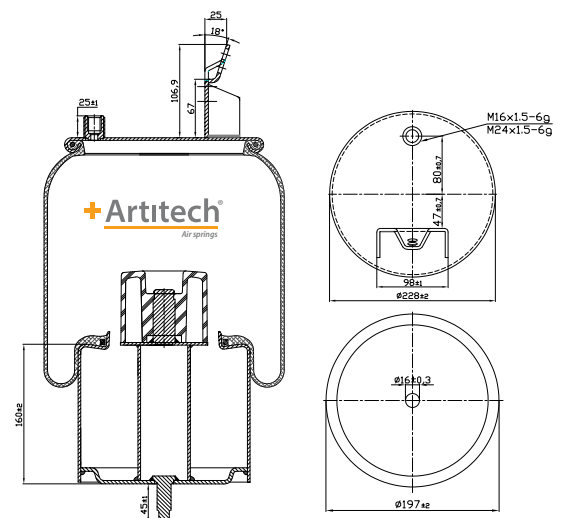
CODE  
**A4.1857.C**

CROSS REFERENCES

CONTITECH 6630 N P01  
GOODYEAR 1R11-814  
GOODYEAR 1R11-857  
GOODYEAR 1R11-875  
GOODYEAR 1R11-906

OEM PART NO

VOLVO 20 909 150  
VOLVO 21 977 973



Product Explanation | Metal Complete Air Springs

Pallet Quantity : 36

Product Weight : 9 Kg.

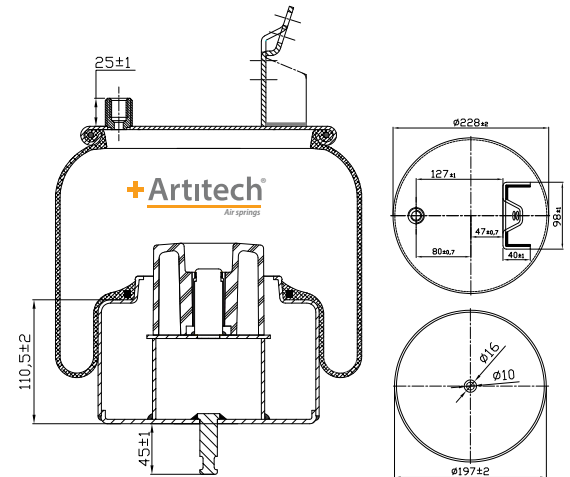
CODE  
**A4.1859.C**

CROSS REFERENCES

|          |          |
|----------|----------|
| GOODYEAR | 1R11-816 |
| GOODYEAR | 1R11-859 |
| GOODYEAR | 1R11-880 |

OEM PART NO

|             |            |
|-------------|------------|
| RENAULT RVI | 20 909 153 |
| RENAULT RVI | 21 978 492 |
| RENAULT RVI | 7420909153 |
| RENAULT RVI | 7421978492 |



Product Explanation | Metal Complete Air Springs

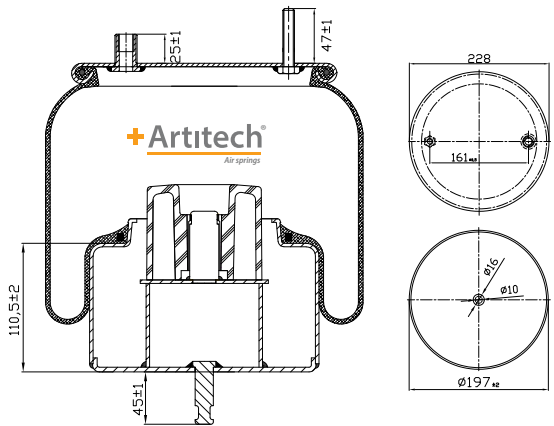
Pallet Quantity : 36

Product Weight :7,50 Kg.

CODE  
**A4.1859.C02**

CROSS REFERENCES

OEM PART NO



Product Explanation | Metal Complete Air Springs

Pallet Quantity : 36

Product Weight :7 Kg.

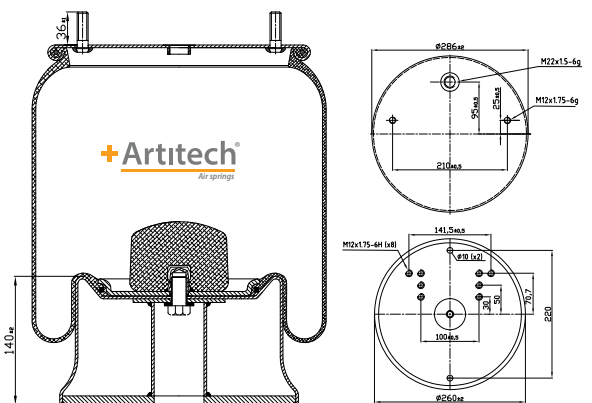
CODE  
**A4.2813.C**

CROSS REFERENCES

|              |              |
|--------------|--------------|
| FIRESTONE    | 1T19L-7      |
| FIRESTONE    | W01 M58 6222 |
| GOODYEAR     | 1R14-825     |
| PHOENIX      | 1D28 A-13    |
| VIBRACOUSTIC | V1DK28A-13   |

OEM PART NO

|             |                |
|-------------|----------------|
| DAIMLER TAS | A 946 328 1901 |
| WEWELER     | US 07337RP     |



Product Explanation | Metal Complete Air Springs

Pallet Quantity : 22

Product Weight : 13,50 Kg.

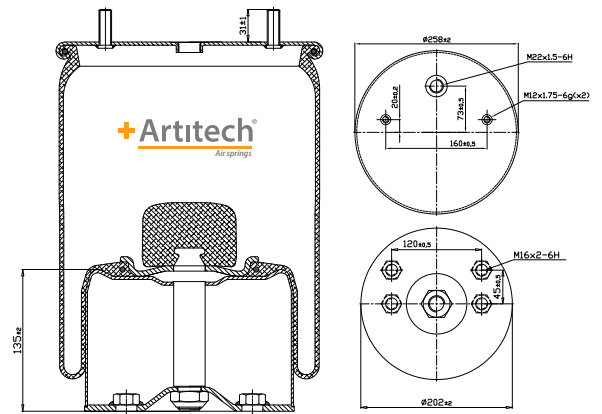


CODE  
**A4.3042.C02**

CROSS REFERENCES

OEM PART NO

GIGANT 166271  
GIGANT 247104, 3042



Product Explanation | Metal Complete Air Springs

Pallet Quantity : 22

Product Weight :8,80 Kg.

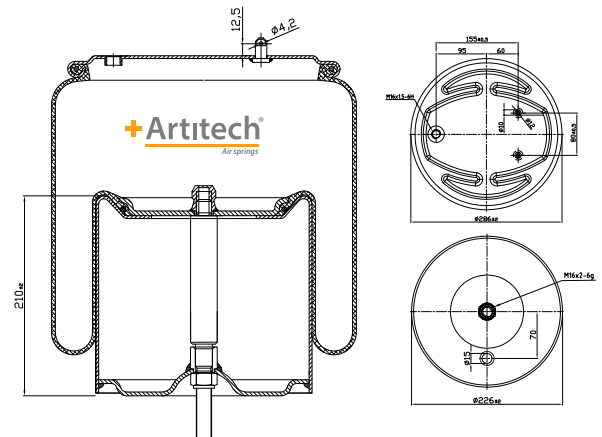
CODE  
**A4.3608.C**

CROSS REFERENCES

CONTITECH 6700 N P02

OEM PART NO

SCANIA 1903608



Product Explanation | Metal Complete Air Springs

Pallet Quantity : 22

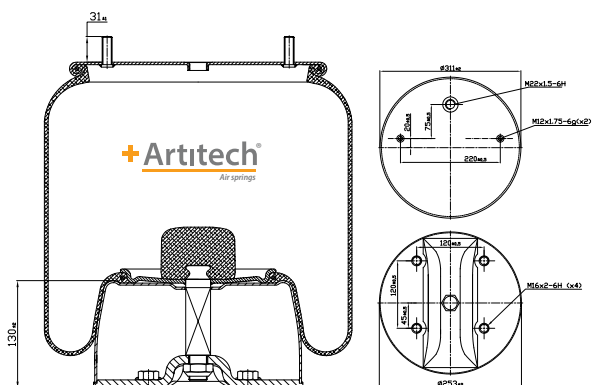
Product Weight : 12 Kg.

CODE  
**A4.3642.C**

CROSS REFERENCES

OEM PART NO

GIGANT 247103



Product Explanation | Metal Complete Air Springs

Pallet Quantity : 18

Product Weight :13 Kg.

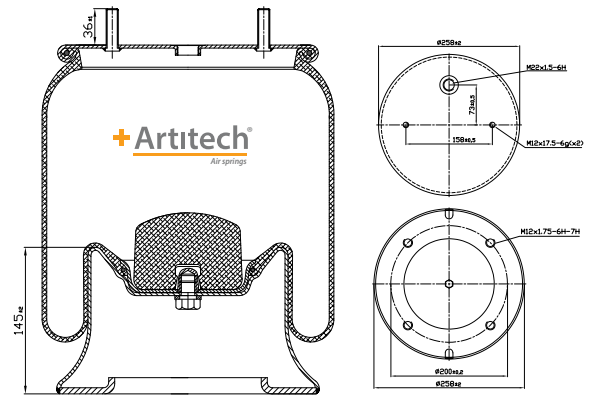
CODE  
**A4.4004.C03**

CROSS REFERENCES

|           |                      |
|-----------|----------------------|
| CF GOMMA  | 1T 300-37, 1T 323-33 |
| CONTITECH | 4004 N P05           |
| DUNLOP    | D12B13/14            |
| GOODYEAR  | 1R11-706             |
| PHOENIX   | 1DK 22E5             |
| TAURUS    | KR505-27SM           |

OEM PART NO

|             |               |
|-------------|---------------|
| SAF HOLLAND | 2.229.0007.00 |
| SAF HOLLAND | 2.229.0007.01 |
| SAF HOLLAND | 3.229.0007.00 |
| SAF HOLLAND | 3.229.0007.00 |
| SAF HOLLAND | 3.229.0007.02 |



Product Explanation | Metal Complete Air Springs

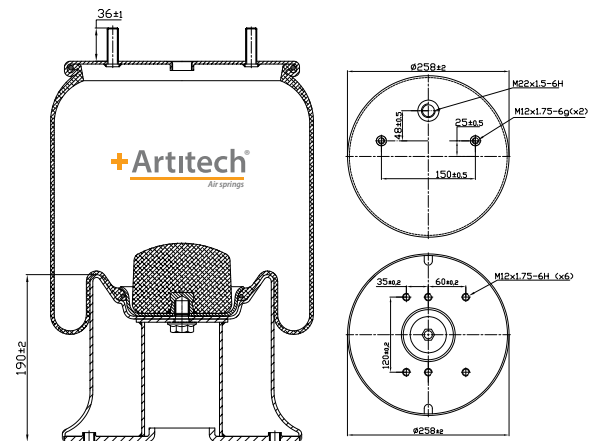
Pallet Quantity : 28

Product Weight : 9,3Kg.

CODE  
**A4.4022.C02**

CROSS REFERENCES

OEM PART NO



Product Explanation | Metal Complete Air Springs

Pallet Quantity : 28

Product Weight : 10 Kg.

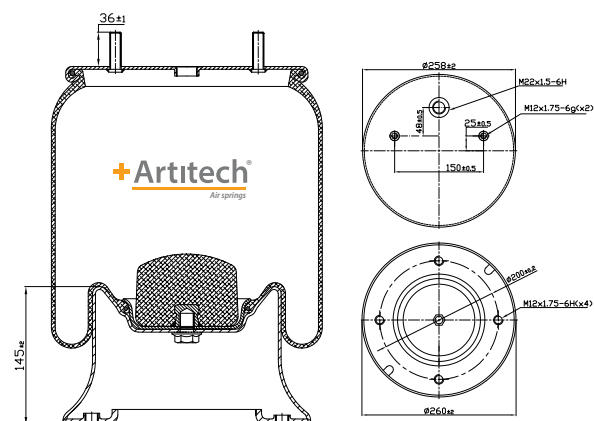
CODE  
**A4.4022.C03**

CROSS REFERENCES

|           |                  |
|-----------|------------------|
| CF GOMMA  | 1T 300-37 204677 |
| CONTITECH | 4022 N P03       |
| DUNLOP    | D12B26           |
| FIRESTONE | 1T17BS-6         |
| FIRESTONE | W01 M58 6367     |
| GOODYEAR  | 1R11-710         |
| PHOENIX   | 1DK22 E-9        |

OEM PART NO

|             |               |
|-------------|---------------|
| SAF HOLLAND | 3.229.0029.00 |
| SAF HOLLAND | 3.229.2129.00 |
|             | 3.229.2129.00 |
| SAF HOLLAND | 3.229.2429.00 |



Product Explanation | Metal Complete Air Springs

Pallet Quantity : 28

Product Weight : 9,20 Kg.

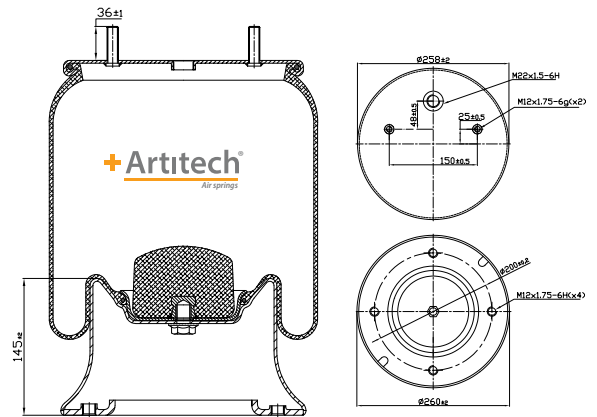
CODE  
**A4.4023.C03**

CROSS REFERENCES

|              |                 |
|--------------|-----------------|
| CF GOMMA     | 1T19 E-2 204676 |
| CONTITECH    | 4023 N P03      |
| FIRESTONE    | 1T19L-11        |
| FIRESTONE    | W01 M58 6348    |
| GART         | D277 277.4505   |
| GOODYEAR     | 1R14-729        |
| PHOENIX      | 1D28 B-10       |
| SPRINGRIDE   | D13B26          |
| VIBRACOUSTIC | V1D28 B-10      |

OEM PART NO

|             |               |
|-------------|---------------|
| SAF HOLLAND | 3 229 2131 00 |
| SAF HOLLAND | 3 229 2231 00 |
| SAF HOLLAND | 3 229 2431 00 |
| SAF HOLLAND | 3 229003100   |



Product Explanation | Metal Complete Air Springs

Pallet Quantity : 22

Product Weight :12 Kg.

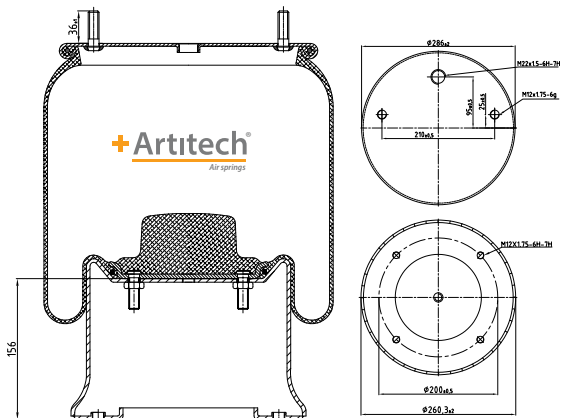
CODE  
**A4.4028.C02**

CROSS REFERENCES

|              |              |
|--------------|--------------|
| CONTITECH    | 4028 N P02   |
| FIRESTONE    | 1T19L-12     |
| FIRESTONE    | W01 968 8106 |
| FIRESTONE    | W01 M58 8106 |
| GOODYEAR     | 1R14-782     |
| PHOENIX      | 1D28 F-1     |
| SPRINGRIDE   | D14B47       |
| VIBRACOUSTIC | V1D28 F-1    |

OEM PART NO

|         |            |
|---------|------------|
| SCANIA  | 2198335    |
| SCHMITZ | 015 323    |
| SMB     | 9377008    |
| VALX    | 80131003   |
| WEWELER | US 04028   |
| WEWELER | US 04028C  |
| WEWELER | US 04028F  |
| WEWELER | YP4028N2-F |



Product Explanation | Metal Complete Air Springs

Pallet Quantity : 22

Product Weight : 12,50 Kg.

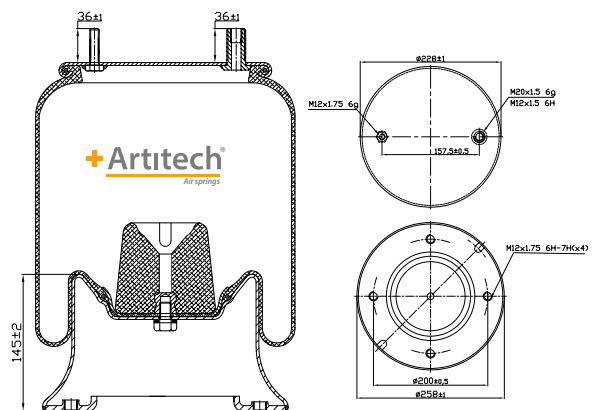
CODE  
**A4.4156.C06**

CROSS REFERENCES

|           |            |
|-----------|------------|
| CONTITECH | 4156 N P06 |
| DUNLOP    | D12B19     |
| GOODYEAR  | 1R12-719   |
| PHOENIX   | 1DK 21 A-2 |
| TAURUS    | KR 506-28  |

OEM PART NO

|               |           |
|---------------|-----------|
| MERITOR (ROR) | 2121 5761 |
| MERITOR (ROR) | 2121 6135 |
| NEWAY         | 905 57075 |
| WEWELER       | US 35864  |



Product Explanation | Metal Complete Air Springs

Pallet Quantity : 22

Product Weight :8,80 Kg.

CODE  
**A4.4159.C03**

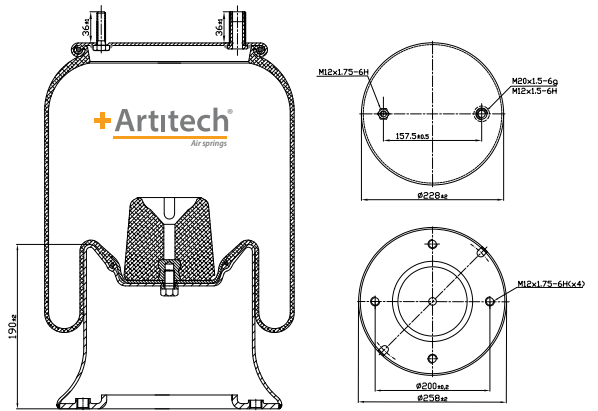
CROSS REFERENCES

|           |              |
|-----------|--------------|
| CF GOMMA  | 1T 323-40    |
| CONTITECH | 4159 N P03   |
| DUNLOP    | D12B01       |
| FIRESTONE | 1T15M-9      |
| FIRESTONE | W01 M58 8859 |
| PHOENIX   | 1DK 21 B-4   |

OEM PART NO

|          |          |
|----------|----------|
| FRUEHAUF | UJA 0894 |
| FRUEHAUF | UJB 0203 |

Product Explanation | Metal Complete Air Springs



Pallet Quantity : 28

Product Weight :9,60 Kg.

CODE  
**A4.4159.C06**

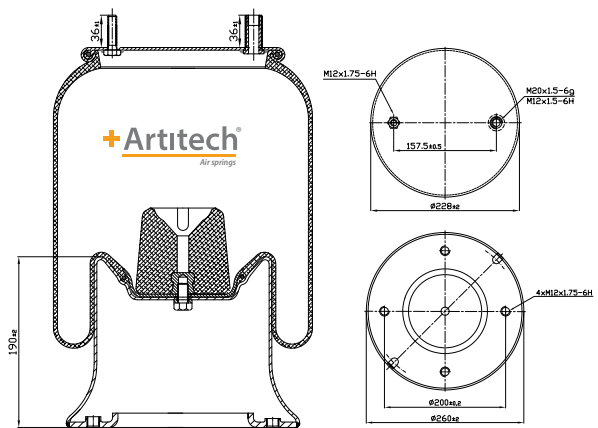
CROSS REFERENCES

|           |            |
|-----------|------------|
| CONTITECH | 4159 N P06 |
|-----------|------------|

OEM PART NO

|          |              |
|----------|--------------|
| FRUEHAUF | UJA 0894-001 |
| ROR      | 2121 5891    |

Product Explanation | Metal Complete Air Springs



Pallet Quantity : 28

Product Weight : 11 Kg.

CODE  
**A4.4159.C07**

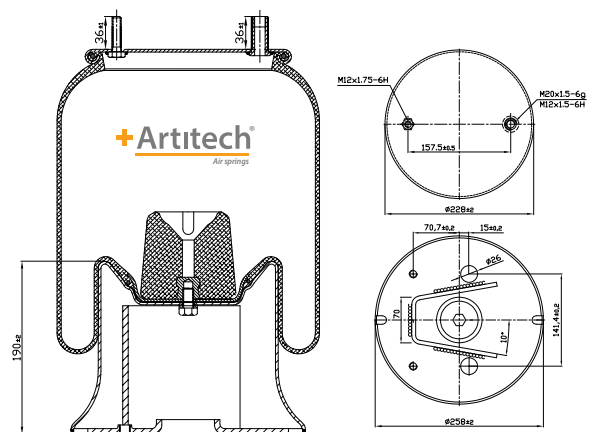
CROSS REFERENCES

|           |                  |
|-----------|------------------|
| CF GOMMA  | 1T 323-40 202302 |
| CONTITECH | 4159 N P07       |
| DUNLOP    | D12B15           |
| FIRESTONE | 1T15M-9          |
| FIRESTONE | W01 379 9071     |
| FIRESTONE | W01 M58 8859     |
| GOODYEAR  | 1R12-702         |
| PHOENIX   | 1DK 21 B-6       |
| TAURUS    | KR 509-25        |

OEM PART NO

|          |          |
|----------|----------|
| FRUEHAUF | UJB 0203 |
|----------|----------|

Product Explanation | Metal Complete Air Springs



Pallet Quantity : 28

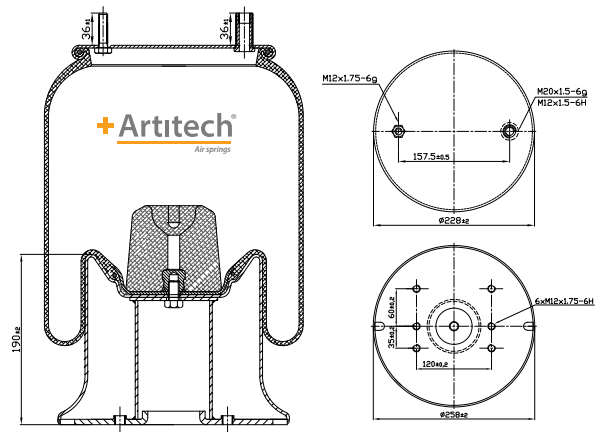
Product Weight : 11 Kg.

CODE  
**A4.4159.C14**

CROSS REFERENCES

OEM PART NO

Product Explanation | Metal Complete Air Springs



Pallet Quantity : 28

Product Weight :XX Kg.

CODE  
**A4.4183.C01**

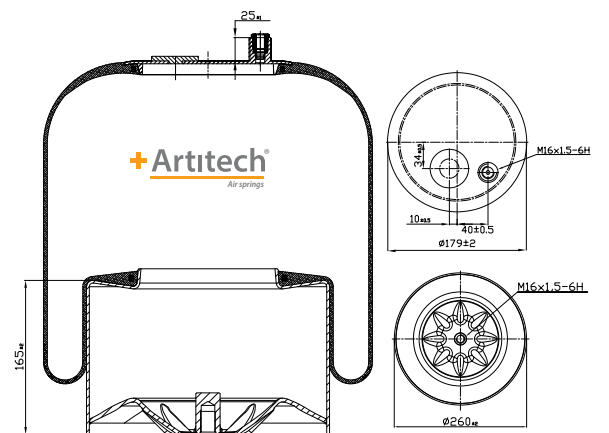
CROSS REFERENCES

CONTITECH 4183 N P23

OEM PART NO

MERCEDES A 942 320 2221

Product Explanation | Metal Complete Air Springs



Pallet Quantity : 28

Product Weight :8,8 Kg.

CODE  
**A4.4183.C23**

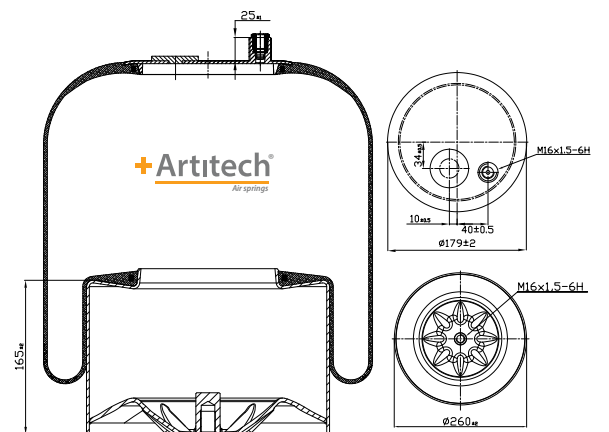
CROSS REFERENCES

GOODYEAR 9567  
PHOENIX 1 KF 32-23  
PRIME-RIDE NEW 9567  
SPRINGRIDE 9567

OEM PART NO

MERCEDES 942 320 13 21  
OE NO.  
MERCEDES 942 320 22 21  
OE NO.  
MERCEDES A 942 320 13 21  
OE NO.  
MERCEDES A 942 320 13 21  
OE NO.  
MERCEDES A 942 320 68 21  
OE NO.  
MERCEDES A 942 320 22 21  
OE NO.  
MERCEDES A 942 320 68 21  
OE NO.  
MERCEDES A 942 320 22 21  
OE NO.

Product Explanation | Metal Complete Air Springs



Pallet Quantity : 22

Product Weight :9,30 Kg.

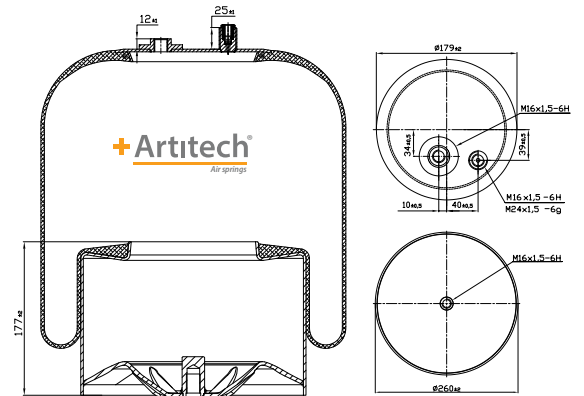
CODE  
**A4.4183.C24**

CROSS REFERENCES

CONTITECH 4183 N P24

OEM PART NO

MERCEDES A 942 320 2321



Product Explanation | Metal Complete Air Springs

Pallet Quantity : 22

Product Weight : 8,80 Kg.

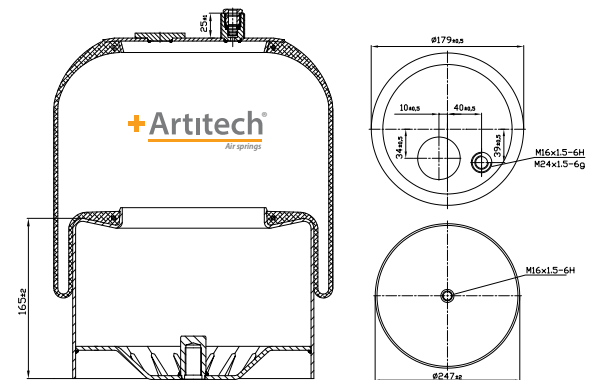
CODE  
**A4.4185.C01**

CROSS REFERENCES

CONTITECH 4185 N P01

OEM PART NO

MERCEDES A 974 320 0021



Product Explanation | Metal Complete Air Springs

Pallet Quantity : 22

Product Weight : 8,50 Kg.

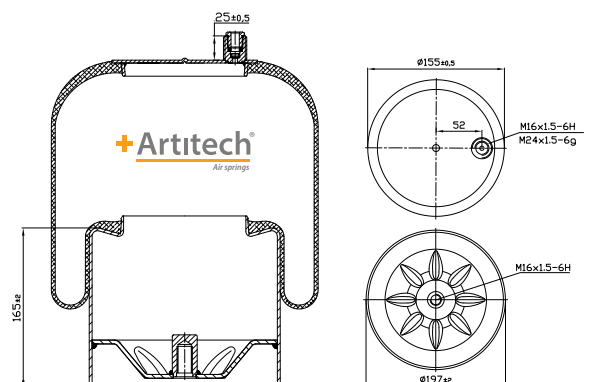
CODE  
**A4.4390.C01**

CROSS REFERENCES

CONTITECH 4390 N P01  
DUNLOP D12T10  
GOODYEAR 9505  
PHOENIX 1KF 21-1

OEM PART NO

MERCEDES A 942 320 0121



Product Explanation | Metal Complete Air Springs

Pallet Quantity : 30

Product Weight : 6,50 Kg.

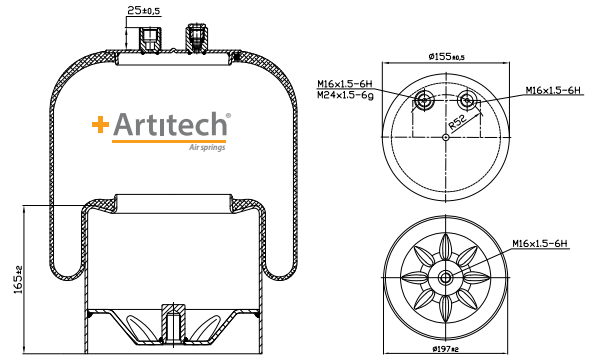
CODE  
**A4.4390.C02**

CROSS REFERENCES

CONTITECH 4390 N P02  
DUNLOP D12T11  
GOODYEAR 9506  
PHOENIX 1KF 21-2

OEM PART NO

MERCEDES A 942 320 0221



Product Explanation | Metal Complete Air Springs

Pallet Quantity : 30

Product Weight :6,50 Kg.

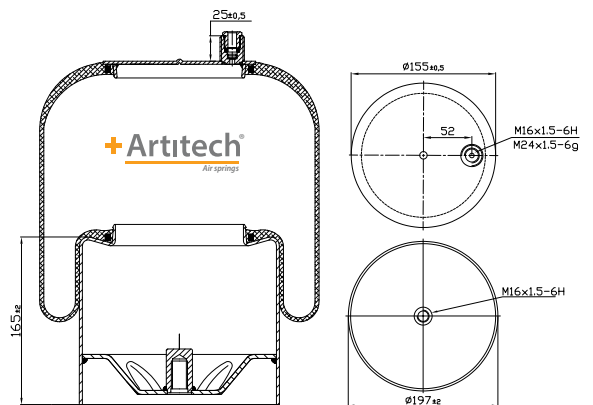
CODE  
**A4.4390.C21**

CROSS REFERENCES

CONTITECH 4390 N P21

OEM PART NO

MERCEDES A 942 320 2821  
MERCEDES A 942 320 4921



Product Explanation | Metal Complete Air Springs

Pallet Quantity : 30

Product Weight :6,50 Kg.

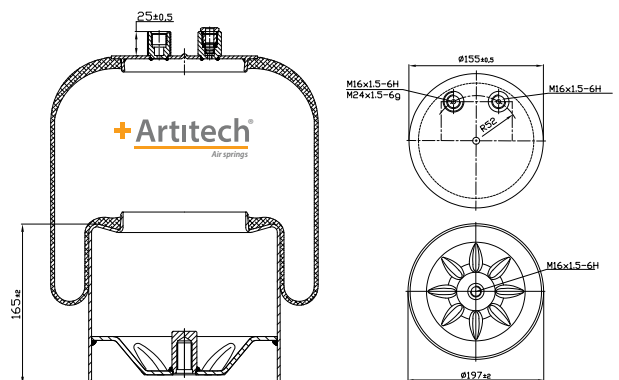
CODE  
**A4.4390.C22**

CROSS REFERENCES

CONTITECH 4390 N P22

OEM PART NO

MERCEDES A 942 320 2921  
MERCEDES A 942 320 5021



Product Explanation | Metal Complete Air Springs

Pallet Quantity : 30

Product Weight : 6,60 Kg.

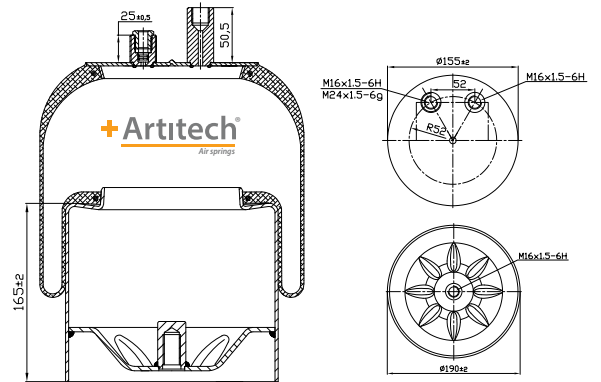
CODE  
**A4.4390.C23**

CROSS REFERENCES

CONTITECH 4390 N P23

OEM PART NO

MERCEDES A 942 320 5221



Product Explanation | Metal Complete Air Springs

Pallet Quantity : 30

Product Weight : 6,60 Kg.

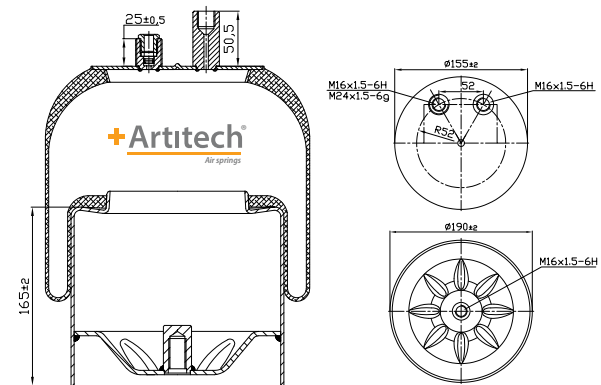
CODE  
**A4.4390.C25**

CROSS REFERENCES

CONTITECH 4390 N P23

OEM PART NO

MERCEDES A 942 320 5221



Product Explanation | Metal Complete Air Springs

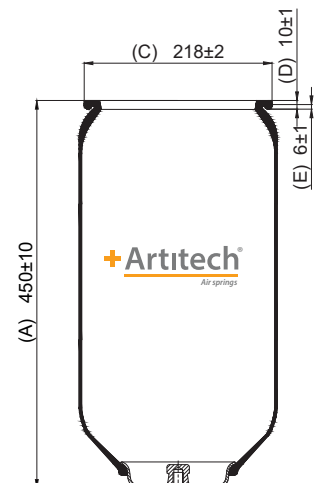
Pallet Quantity : 30

Product Weight : 6,50 Kg.

CODE  
**A4.4410.C**

CROSS REFERENCES

OEM PART NO



Product Explanation | Metal Complete Air Springs

Pallet Quantity : 19

Product Weight : 11,50 Kg.



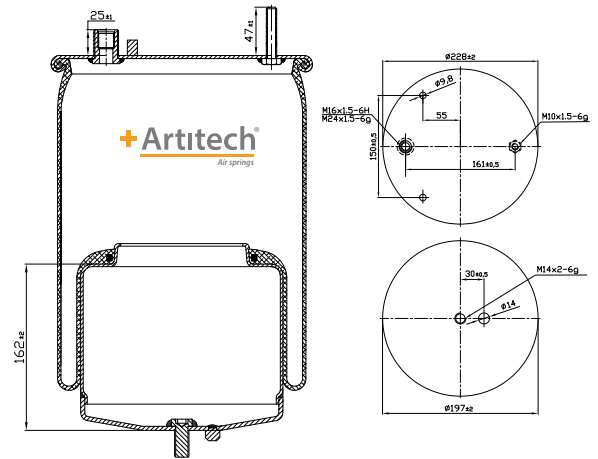
CODE  
**A4.4560.C02**

CROSS REFERENCES

CONTITECH 4560 N P02

OEM PART NO

VOLVO 21224745  
VOLVO 22058737



Product Explanation | Metal Complete Air Springs

Pallet Quantity : 39

Product Weight :6.60 Kg.

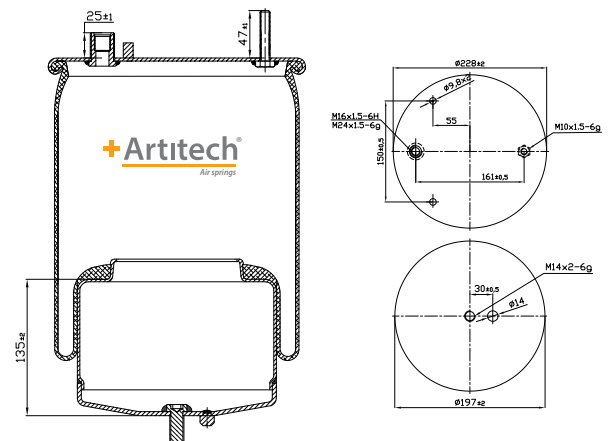
CODE  
**A4.4561.C02**

CROSS REFERENCES

CONTITECH 4561 N P02

OEM PART NO

VOLVO 21 224 746  
VOLVO 22 058 738



Product Explanation | Metal Complete Air Springs

Pallet Quantity : 36

Product Weight :6.10 Kg.

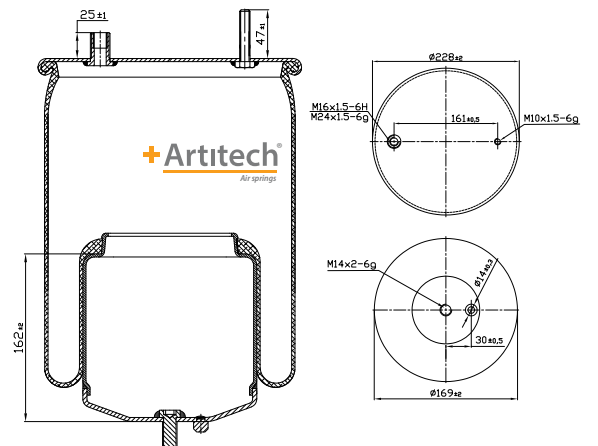
CODE  
**A4.4570.C01**

CROSS REFERENCES

CONTITECH 4570 N P01

OEM PART NO

VOLVO 21 224 749



Product Explanation | Metal Complete Air Springs

Pallet Quantity : 39

Product Weight : 5.75 Kg.

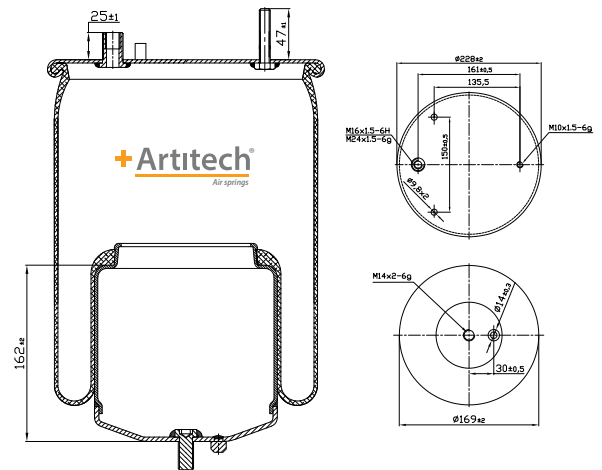
CODE  
**A4.4570.C02**

CROSS REFERENCES

CONTITECH 4570 N P02

OEM PART NO

VOLVO 22 058 741



Product Explanation | Metal Complete Air Springs

Pallet Quantity : 39

Product Weight : 5,77 Kg.

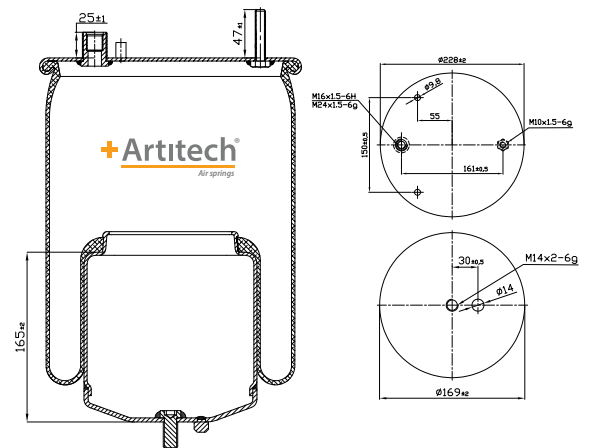
CODE  
**A4.4571.C02**

CROSS REFERENCES

CONTITECH 4571 N P02

OEM PART NO

VOLVO 21224750  
VOLVO 22056630



Product Explanation | Metal Complete Air Springs

Pallet Quantity : XX

Product Weight :5,70Kg.

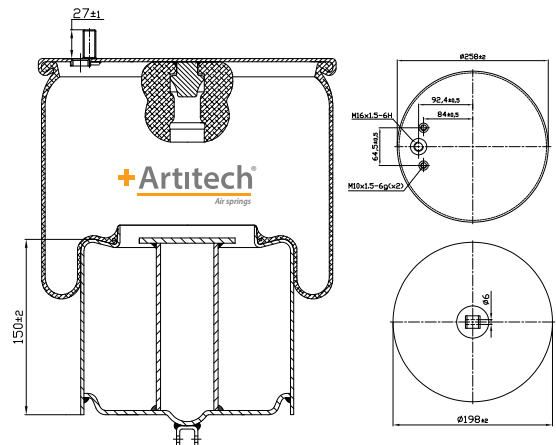
CODE  
**A4.4713.C02**

CROSS REFERENCES

CONTITECH 4713 N P02  
DUNLOP D12B24  
FIRESTONE 1T17BSR-8  
FIRESTONE W01 M58 9706  
GOODYEAR 1R12-762  
PHOENIX 1DF 22 C-1

OEM PART NO

VOLVO 1 076 594  
VOLVO 20 554 755



Product Explanation | Metal Complete Air Springs

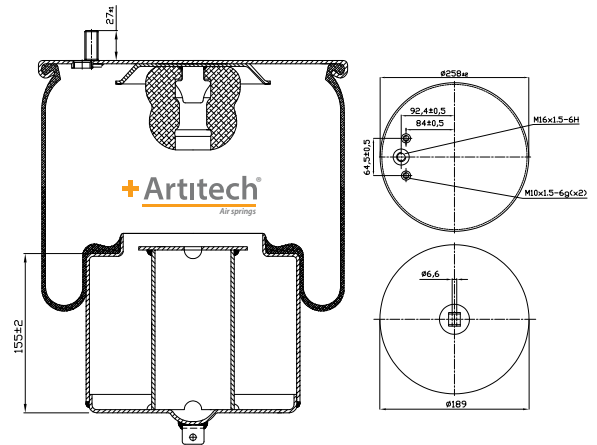
Pallet Quantity : 39

Product Weight : 8 Kg.

CODE  
**A4.4713.C50**

| CROSS REFERENCES        |                 |  |
|-------------------------|-----------------|--|
| BLACKTECH               | RML75824C       |  |
| CF GOMMA NO.            | 207775          |  |
| CF GOMMA REF.           | 1TS300-28       |  |
| CONTITECH               | 4713 N P02      |  |
| DUNLOP F                | D12B24          |  |
| FIRESTONE NO.           | W01-M58-9706    |  |
| FIRESTONE STYLE         | 1T17BR-8        |  |
| GART NO.                | 293.1460        |  |
| GART REF.               | C293/V          |  |
| GOODYEAR                | 1R12-762        |  |
| GOODYEAR FLEX NO.       | 566-24-3-513    |  |
| NEOTEC                  | ABM 535 30 D 10 |  |
| PHOENIX                 | 1 DF 22 C-1     |  |
| PRIMERIDE               | 54713 A P02     |  |
| PRIME-RIDE NEW          | 1R12-762        |  |
| PRIME-RIDE NEW FLEX NO. | 566-24-3-513    |  |
| SPRINGRIDE              | 1R12-762        |  |
| SPRINGRIDE FLEX         | 566-24-3-513    |  |
| VIBRACOUSTIC            | V 1 DF 22 C-1   |  |

| OEM PART NO |            |  |
|-------------|------------|--|
| VOLVO       | 20 554 755 |  |
| OE NO.      |            |  |
| VOLVO       | 20 554 755 |  |
| OE NO.      |            |  |
| VOLVO       | 1 076 594  |  |
| OE NO.      |            |  |
| VOLVO       | 1 076 594  |  |
| OE NO.      |            |  |



Product Explanation | Metal Complete Air Springs

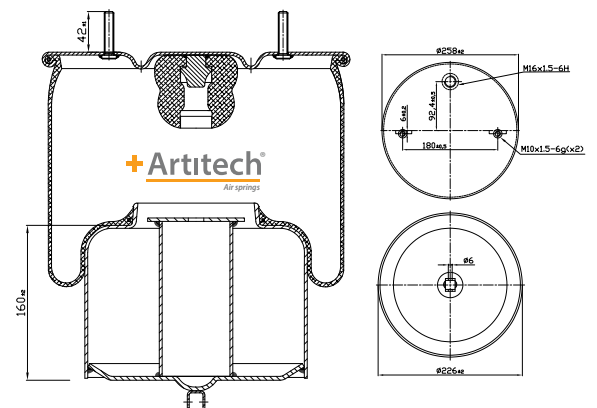
Pallet Quantity : 28

Product Weight : 9,20 Kg.

CODE  
**A4.4718.C01**

| CROSS REFERENCES |              |  |
|------------------|--------------|--|
| CONTITECH        | 4718 N P01   |  |
| FIRESTONE        | 1T17JBR-9.7  |  |
| FIRESTONE        | W01 M58 8577 |  |
| GOODYEAR         | 1R12-821     |  |

| OEM PART NO |            |  |
|-------------|------------|--|
| VOLVO       | 1 075 363  |  |
| VOLVO       | 1 629 718  |  |
| VOLVO       | 20 452 136 |  |
| VOLVO       | 20 554 759 |  |



Product Explanation | Metal Complete Air Springs

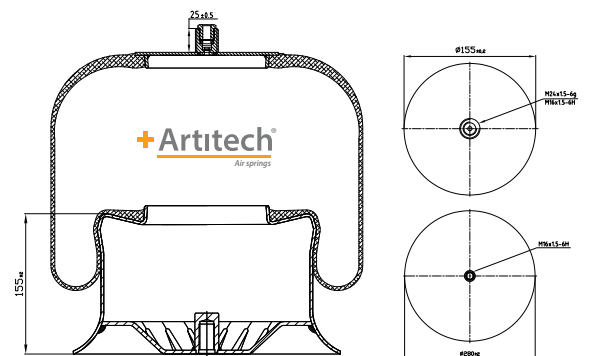
Pallet Quantity : 28

Product Weight :9,50Kg.

CODE  
**A4.4757.C01**

| CROSS REFERENCES |              |  |
|------------------|--------------|--|
| CONTITECH        | 4757 N P01   |  |
| FIRESTONE        | 1R7Z 460305A |  |
| FIRESTONE        | W01 M58 8521 |  |
| GOODYEAR         | 9519         |  |

| OEM PART NO |                |  |
|-------------|----------------|--|
| MERCEDES    | A 942 320 0117 |  |



Product Explanation | Metal Complete Air Springs

Pallet Quantity : 22

Product Weight : 7,70Kg.

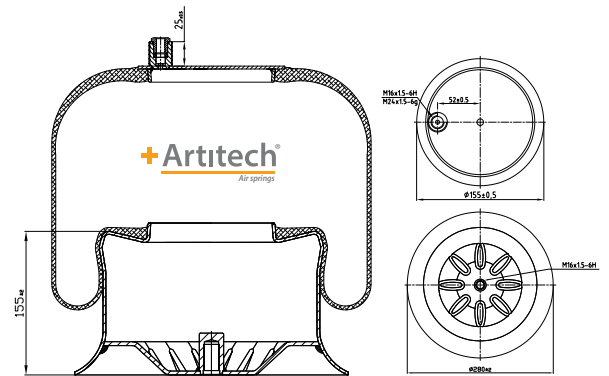
CODE  
**A4.4757.C09**

CROSS REFERENCES

CONTITECH 4757 N P09  
FIRESTONE 1R7Z 460305B  
FIRESTONE W01 M58 8522  
GOODYEAR 9520

OEM PART NO

MERCEDES A 974 320 0417



Product Explanation | Metal Complete Air Springs

Pallet Quantity : 22

Product Weight : 7,50 Kg.

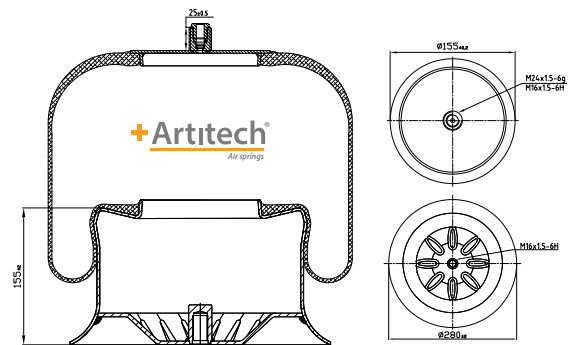
CODE  
**A4.4757.C21**

CROSS REFERENCES

CONTITECH 4757 N P21

OEM PART NO

MERCEDES A 942 320 4321



Product Explanation | Metal Complete Air Springs

Pallet Quantity : 22

Product Weight : 9 Kg.

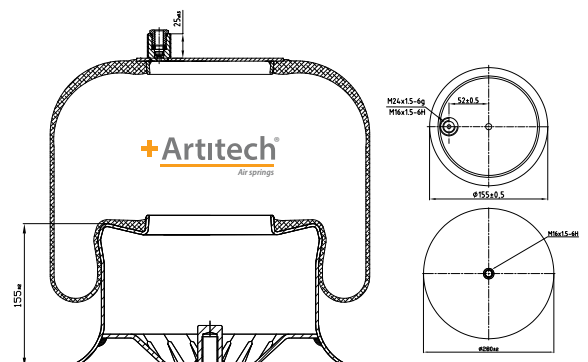
CODE  
**A4.4757.C29**

CROSS REFERENCES

CONTITECH 4757 N P29

OEM PART NO

MERCEDES A 942 320 3221



Product Explanation | Metal Complete Air Springs

Pallet Quantity : 22

Product Weight : 9 Kg.

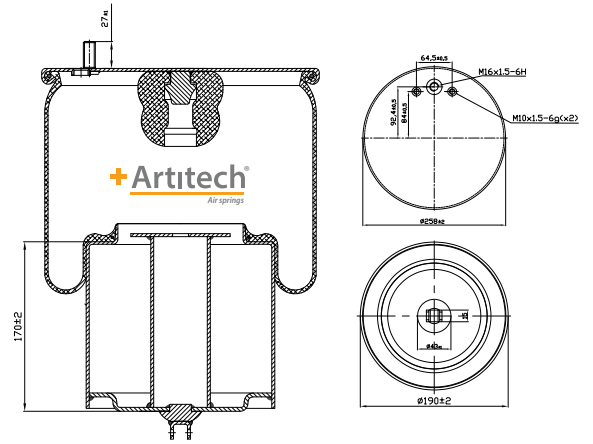
CODE  
**A4.4770.C**

CROSS REFERENCES

CONTITECH 54770 M

OEM PART NO

VOLVO 20 554 770  
VOLVO 3 173 271



Product Explanation | Metal Complete Air Springs

Pallet Quantity : 28

Product Weight :8,60Kg.

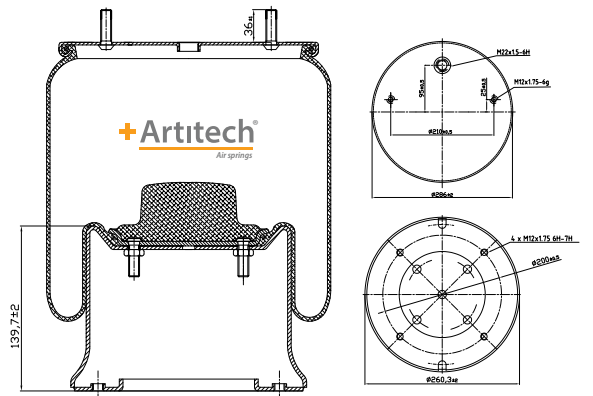
CODE  
**A4.4810.C05**

CROSS REFERENCES

CF GOMMA 1T19 E-1 205456  
CONTITECH 4810 N P05  
DUNLOP D13B25  
FIRESTONE 1T19L-7  
FIRESTONE W01 M58 6338  
GOODYEAR 1R14-730  
PHOENIX 1D 28 A-10  
TAURUS KR 621-18

OEM PART NO

SAF HOLLAND 3 229 0027 00  
SAF HOLLAND 3 229 2127 00  
SAF HOLLAND 3 229 2227 00



Product Explanation | Metal Complete Air Springs

Pallet Quantity : 22

Product Weight :12 Kg.

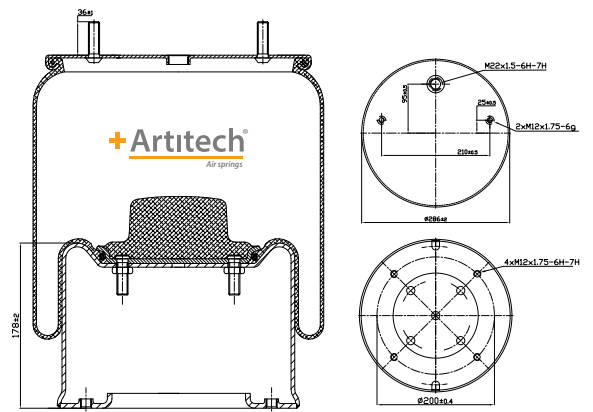
CODE  
**A4.4810.C06**

CROSS REFERENCES

CONTITECH 4810 N P06  
FIRESTONE 1T19LB-8  
FIRESTONE W01 M58 6216  
PHOENIX 1 D 28 E-1

OEM PART NO

SAF HOLLAND 2922 V / 250  
SAF HOLLAND 3229003600



Product Explanation | Metal Complete Air Springs

Pallet Quantity : 22

Product Weight : 12 Kg.

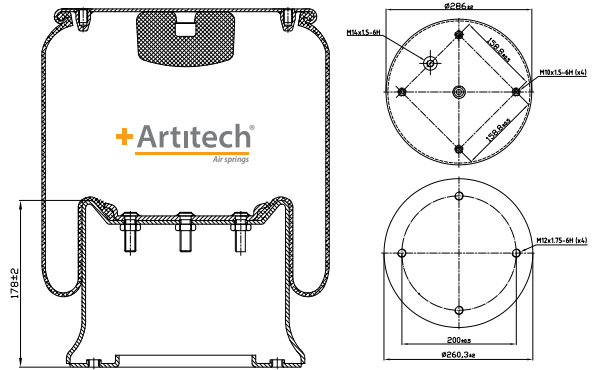
CODE  
**A4.4813.C07**

CROSS REFERENCES

|           |              |
|-----------|--------------|
| CONTITECH | 4813 N P07   |
| DUNLOP    | D13B10       |
| DUNLOP    | D13B22       |
| FIRESTONE | 1T19L-11     |
| FIRESTONE | W01 M58 7358 |
| GOODYEAR  | 1R14-727     |
| PHOENIX   | 1D 28 B-9    |

OEM PART NO

|        |         |
|--------|---------|
| SCANIA | 1107674 |
| SCANIA | 1314906 |
| SCANIA | 1865755 |
| SCANIA | 255293  |
| SCANIA | 255295  |
| SCANIA | 298568  |
| SCANIA | 325748  |



Product Explanation | Metal Complete Air Springs

Pallet Quantity : 24

Product Weight : 11,50 Kg.

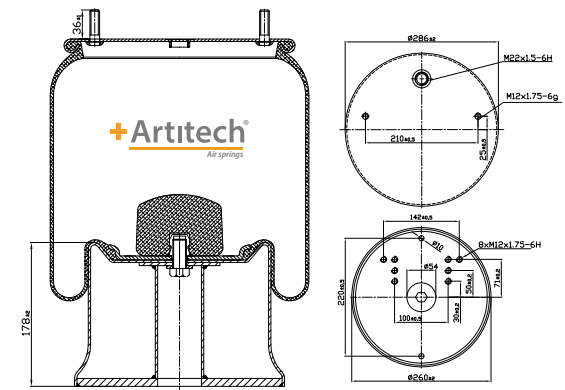
CODE  
**A4.4823.C**

CROSS REFERENCES

|              |              |
|--------------|--------------|
| FIRESTONE    | 1T19L-11     |
| FIRESTONE    | W01 M58 6223 |
| GOODYEAR     | 1R14-823     |
| PHOENIX      | 1DK 28 F-3   |
| VIBRACOUSTIC | V1DK28 F-3   |

OEM PART NO

|                 |                |
|-----------------|----------------|
| DISCOS MERCEDES | A 946 328 1501 |
| SCHMITZ         | S015323        |
| WEWELER         | US 04030 P     |



Product Explanation | Metal Complete Air Springs

Pallet Quantity : 22

Product Weight : 14 Kg.

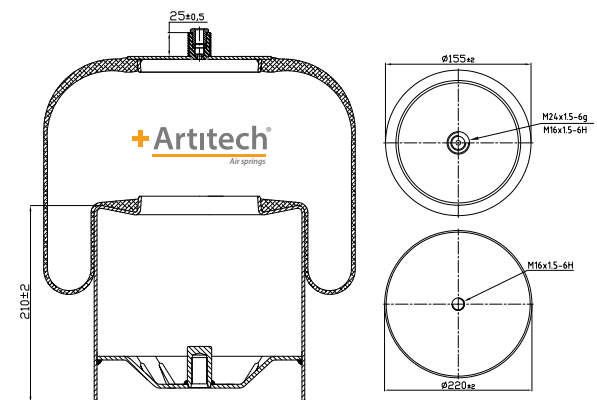
CODE  
**A4.4838.C01**

CROSS REFERENCES

|           |              |
|-----------|--------------|
| CONTITECH | 4838 N P01   |
| FIRESTONE | 1R7Z 595330A |
| FIRESTONE | W01 M58 8512 |

OEM PART NO

|          |                |
|----------|----------------|
| MERCEDES | A 946 320 0421 |
|----------|----------------|



Product Explanation | Metal Complete Air Springs

Pallet Quantity : 22

Product Weight : 8,20 Kg.

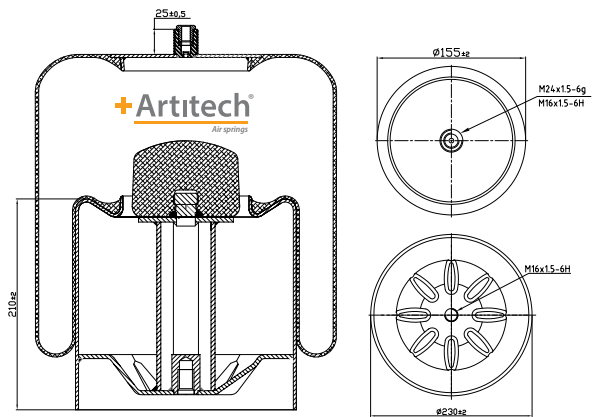
CODE  
**A4.4838.C23**

CROSS REFERENCES

CONTITECH 4838 N P23

OEM PART NO

MERCEDES A 942 320 3521



Product Explanation | Metal Complete Air Springs

Pallet Quantity : 22

Product Weight : 11 Kg.

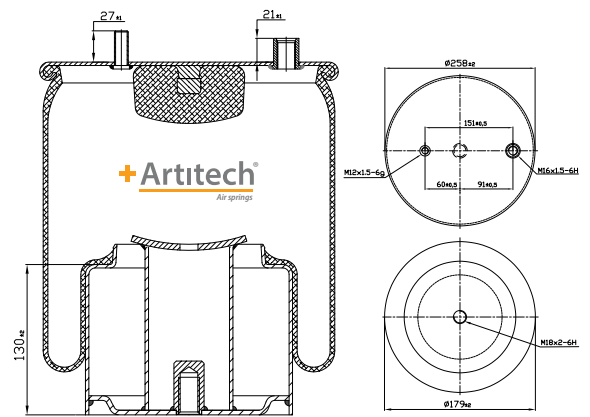
CODE  
**A4.4862.C02**

CROSS REFERENCES

CONTITECH 4862 N1 P02  
VIBRACOUSTIC V1 DF 16 B-1

OEM PART NO

MAN 81 43600 6049



Product Explanation | Metal Complete Air Springs

Pallet Quantity : 28

Product Weight : 8 Kg.

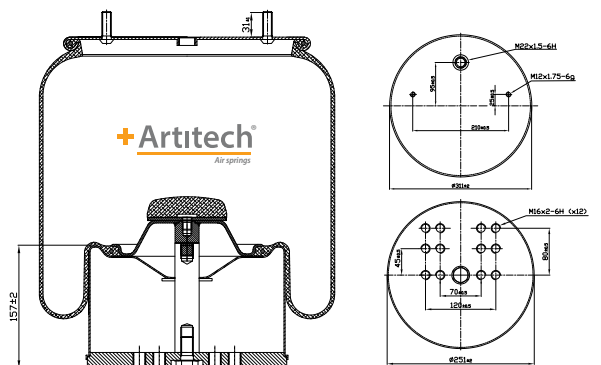
CODE  
**A4.4881.C**

CROSS REFERENCES

CONTITECH 4881 MB  
DUNLOP D14B37  
FIRESTONE 1T66F-70  
FIRESTONE W01 M58 8602  
GOODYEAR 1R14-724  
PHOENIX 1DK 32 K-1

OEM PART NO

BPW 05 429 41 31 1  
BPW 05 429 41 22 1  
BPW TYPE 36 K



Product Explanation | Metal Complete Air Springs

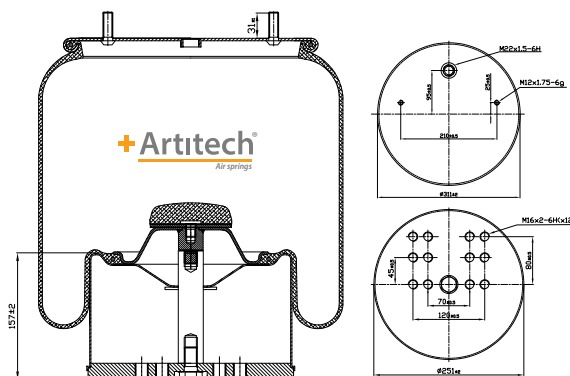
Pallet Quantity : 18

Product Weight : 16 Kg.

CODE  
**A4.4881.C01**

CROSS REFERENCES

OEM PART NO



Product Explanation | Metal Complete Air Springs

Pallet Quantity : 18

Product Weight : XX Kg.

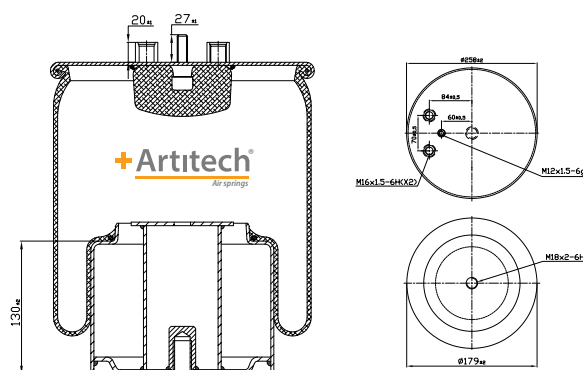
CODE  
**A4.4882.C05**

CROSS REFERENCES

|           |              |
|-----------|--------------|
| CONTITECH | 4882 N1 P05  |
| FIRESTONE | 1T17JR7.2    |
| FIRESTONE | W01 M58 9879 |
| GOODYEAR  | 1R10-709     |

OEM PART NO

|     |                |
|-----|----------------|
| MAN | 81 43600 6036  |
| MAN | 81.436.006.056 |



Product Explanation | Metal Complete Air Springs

Pallet Quantity : 28

Product Weight :8 Kg.

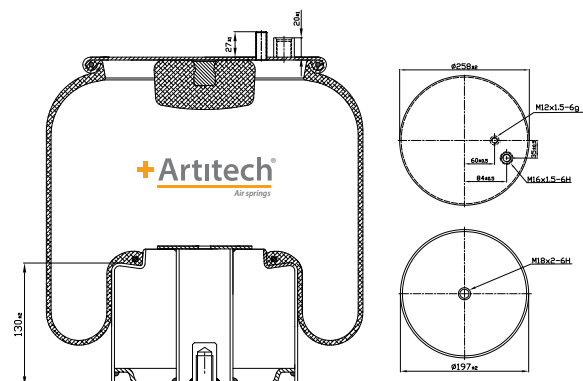
CODE  
**A4.4884.C06**

CROSS REFERENCES

|              |              |
|--------------|--------------|
| CONTITECH    | 4884 N1 P06  |
| FIRESTONE    | 1T17TWR 8.0  |
| FIRESTONE    | W01 M58 9880 |
| GOODYEAR     | 1R11-861     |
| VIBRACOUSTIC | V1DF19B-1    |

OEM PART NO

|     |                |
|-----|----------------|
| MAN | 81 43600 6035  |
| MAN | 81.436.006.055 |



Product Explanation | Metal Complete Air Springs

Pallet Quantity : 28

Product Weight :10 Kg.



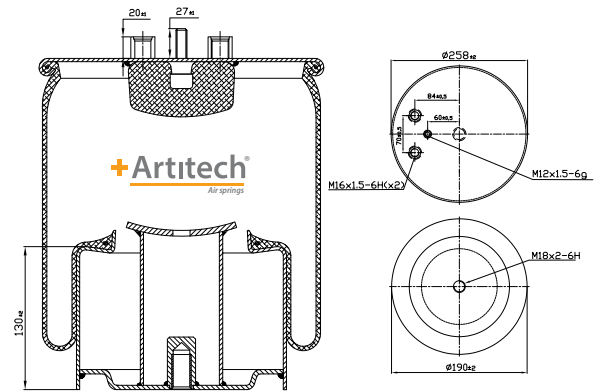
CODE  
**A4.4884.C07**

CROSS REFERENCES

CONTITECH 4884 N1 P07

OEM PART NO

MAN 81 43600 6041



Product Explanation | Metal Complete Air Springs

Pallet Quantity : 28

Product Weight : 9 Kg.

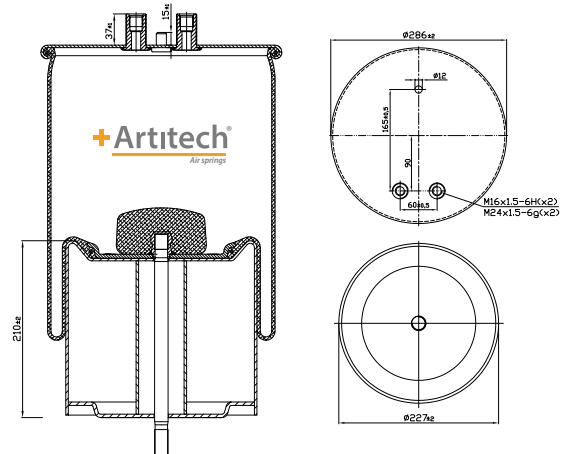
CODE  
**A4.4912.C07**

CROSS REFERENCES

CONTITECH 4912 N P07  
DUNLOP D13B45  
FIRESTONE 1T19L-14  
FIRESTONE W01 M58 8786  
GOODYEAR 1R13-738  
PHOENIX 1 DK 28 F-4  
VIBRACOUSTIC V1DK28F-4

OEM PART NO

RENAULT RVI 5010 294 307 C



Product Explanation | Metal Complete Air Springs

Pallet Quantity : 18

Product Weight :13 Kg.

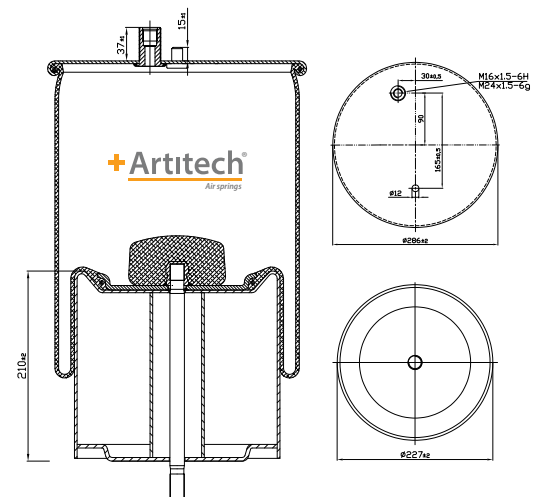
CODE  
**A4.4912.C10**

CROSS REFERENCES

CONTITECH 4912 N P10

OEM PART NO

RENAULT RVI 5010 557 355  
5010 557 355  
VOLVO 20 722 412



Product Explanation | Metal Complete Air Springs

Pallet Quantity : 18

Product Weight :13,50 Kg.

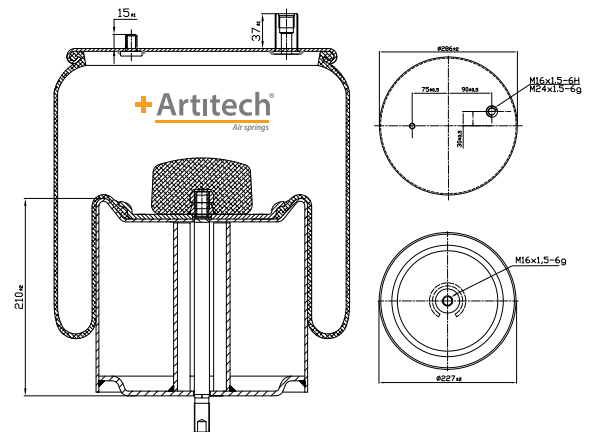
CODE  
**A4.4912.C13**

CROSS REFERENCES

|           |              |
|-----------|--------------|
| CONTITECH | 4912 N P13   |
| FIRESTONE | 1T19LL-14    |
| FIRESTONE | W01 M58 5520 |
| PHOENIX   | 1 DK 28 F-6  |

OEM PART NO

|             |               |
|-------------|---------------|
| RENAULT RVI | 5010 600 328  |
| RENAULT RVI | 7 421 978 494 |
| VOLVO       | 20 726 768    |
| VOLVO       | 21 978 504    |



Product Explanation | Metal Complete Air Springs

Pallet Quantity : 18

Product Weight : 13,50 Kg.

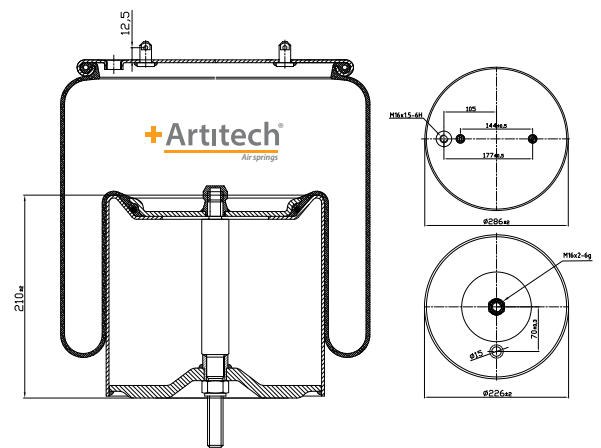
CODE  
**A4.4913.C02**

CROSS REFERENCES

|           |              |
|-----------|--------------|
| CONTITECH | 4913 N P02   |
| DUNLOP    | D14B42       |
| FIRESTONE | 1T19L-14     |
| FIRESTONE | 1T19LAJ-14   |
| FIRESTONE | W01 095 0500 |
| FIRESTONE | W01-M58-9881 |
| GOODYEAR  | 1R14-753     |
| PHOENIX   | 1 D 28 H-16  |
| TAURUS    | KR 625-16    |

OEM PART NO

|        |         |
|--------|---------|
| SCANIA | 1379392 |
| SCANIA | 1440294 |



Product Explanation | Metal Complete Air Springs

Pallet Quantity : 18

Product Weight : 12 Kg.

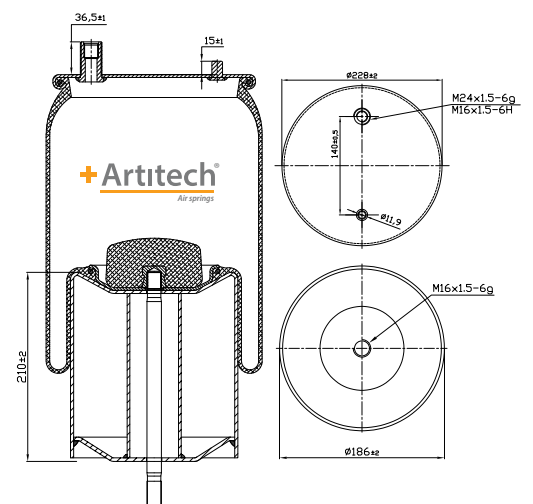
CODE  
**A4.4915.C06**

CROSS REFERENCES

|              |                  |
|--------------|------------------|
| CONTITECH    | 4915 N P06       |
| GART         | C294/C, 294.1530 |
| PHOENIX      | 1 DK 19-1        |
| VIBRACOUSTIC | V1DK19-1         |

OEM PART NO

|             |               |
|-------------|---------------|
| RENAULT RVI | 21 978 500    |
| RENAULT RVI | 22 190 563    |
| RENAULT RVI | 5.010.557.991 |
| RENAULT RVI | 5.010.600.578 |
| RENAULT RVI | 5010 294 309  |
| SAMRO       | H 2501122     |
| VOLVO       | 20 757 541    |
| VOLVO       | 22 025 613    |



Product Explanation | Metal Complete Air Springs

Pallet Quantity : 22

Product Weight :11 Kg.

CODE  
**A4.4933.C01**

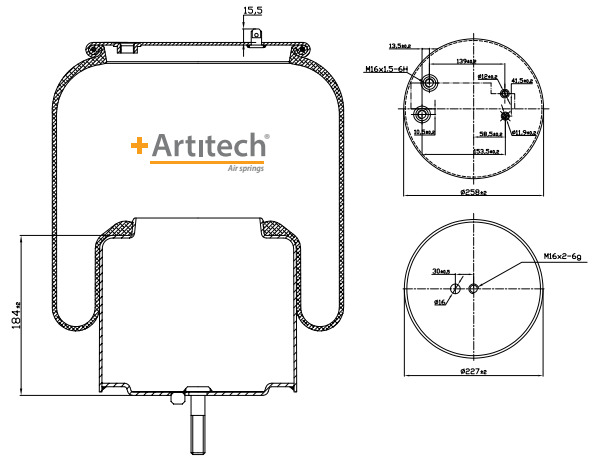
CROSS REFERENCES

FIRESTONE 1T17HR-8  
FIRESTONE W01 M58 8633

OEM PART NO

SCANIA 1434933

Product Explanation | Metal Complete Air Springs



Pallet Quantity : 24

Product Weight : 7 Kg.

CODE  
**A4.4941.C**

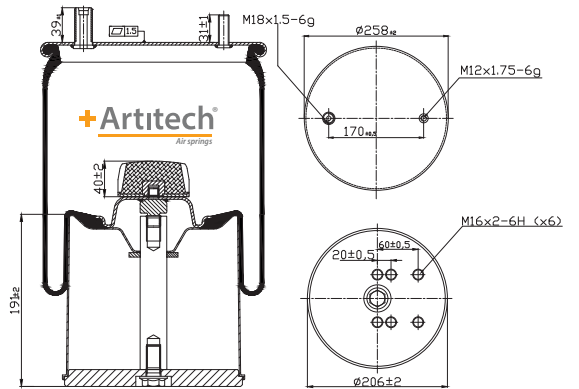
CROSS REFERENCES

CONTITECH 4941 MB

OEM PART NO

BPW 05 429 43 25 0

Product Explanation | Metal Complete Air Springs



Pallet Quantity : 28

Product Weight : 9 Kg.

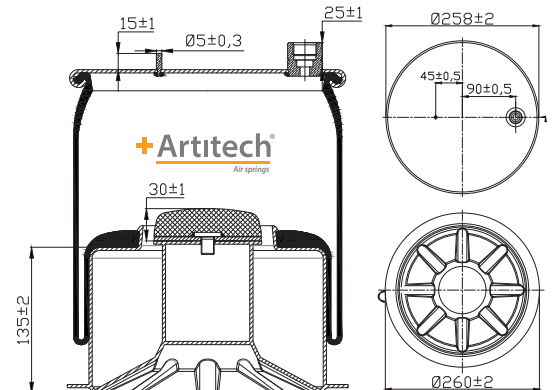
CODE  
**A4.6021.C**

CROSS REFERENCES

MERCEDES A 961 320 6021

OEM PART NO

Product Explanation | Metal Complete Air Springs



Pallet Quantity : 28

Product Weight : 9 Kg.

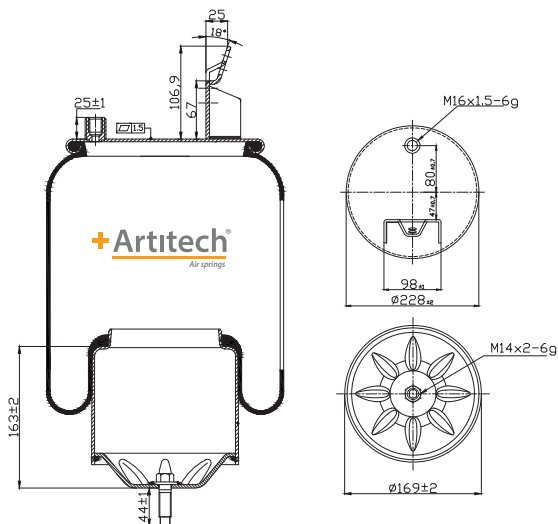
CODE  
**A4.6416.C**

CROSS REFERENCES

|           |              |
|-----------|--------------|
| CONTITECH | 6608 N P01   |
| DUNLOP    | D10B01       |
| FIRESTONE | 1T15UR-9     |
| FIRESTONE | W01 M58 8474 |
| GOODYEAR  | 1R10-704     |

OEM PART NO

|             |               |
|-------------|---------------|
| RENAULT RVI | 7.422.071.639 |
| VOLVO       | 1 075 891     |
| VOLVO       | 1 076 416     |
| VOLVO       | 20 374 510    |
| VOLVO       | 20 456 152    |
| VOLVO       | 20 531 985    |
| VOLVO       | 20 582 215    |
| VOLVO       | 21 961 456    |
| VOLVO       | 3 171 693     |
| VOLVO       | 70 321 693    |



Product Explanation | Metal Complete Air Springs

Pallet Quantity : 6,2

Product Weight : 28 Kg.

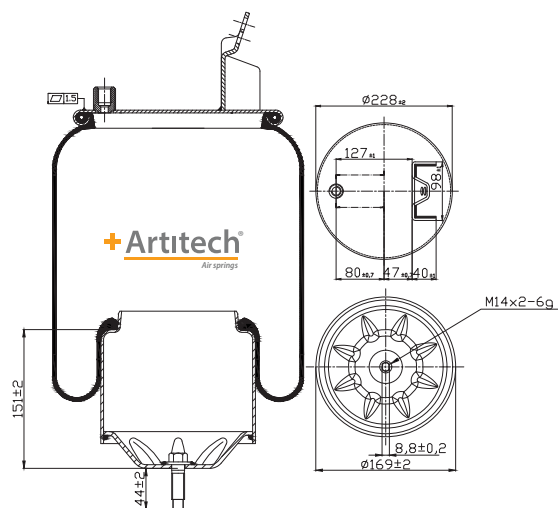
CODE  
**A4.6418.C**

CROSS REFERENCES

|              |              |
|--------------|--------------|
| CONTITECH    | 6607 N P01   |
| FIRESTONE    | 1T15UR-6     |
| FIRESTONE    | W01 M58 8473 |
| VIBRACOUSTIC | V1DF16 C-1   |

OEM PART NO

|       |            |
|-------|------------|
| VOLVO | 1 076 418  |
| VOLVO | 20 374 511 |
| VOLVO | 20 456 156 |
| VOLVO | 20 531 987 |
| VOLVO | 20 582 214 |
| VOLVO | 3 171 695  |



Product Explanation | Metal Complete Air Springs

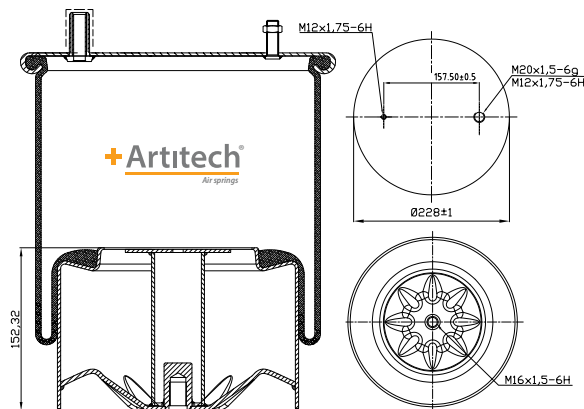
Pallet Quantity : 39

Product Weight : 6 Kg.

CODE  
**A4.6418.C10**

CROSS REFERENCES

OEM PART NO



Product Explanation | Metal Complete Air Springs

Pallet Quantity : 39

Product Weight : 6 Kg.

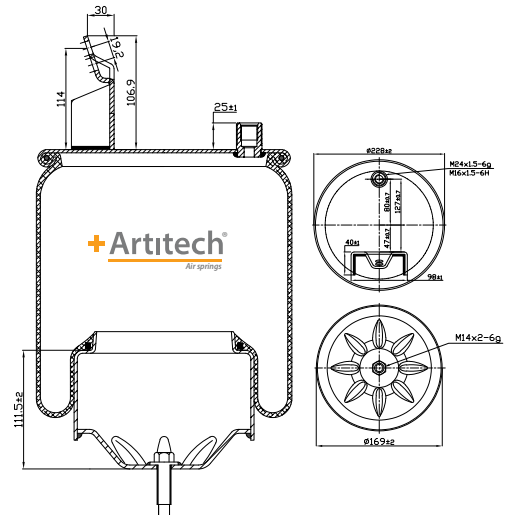
CODE  
**A4.6420.C**

CROSS REFERENCES

CONTITECH 6600 N P02

OEM PART NO

VOLVO 1 076 420  
VOLVO 20 374 512  
VOLVO 20 456 160  
VOLVO 20 531 989  
VOLVO 20 582 213  
VOLVO 21 961 448



Product Explanation | Metal Complete Air Springs

Pallet Quantity : 39

Product Weight : 5 Kg.

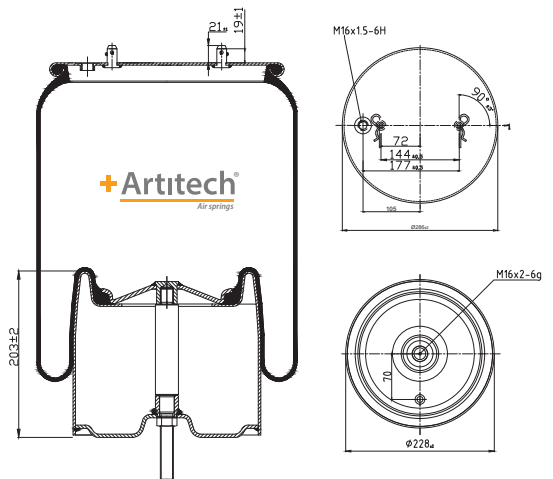
CODE  
**A4.6700.C**

CROSS REFERENCES

CONTITECH 6700 N P01

OEM PART NO

SCANIA 1510195  
SCANIA 154 3691  
SCANIA 1731113



Product Explanation | Metal Complete Air Springs

Pallet Quantity : 18

Product Weight :12,5 Kg.

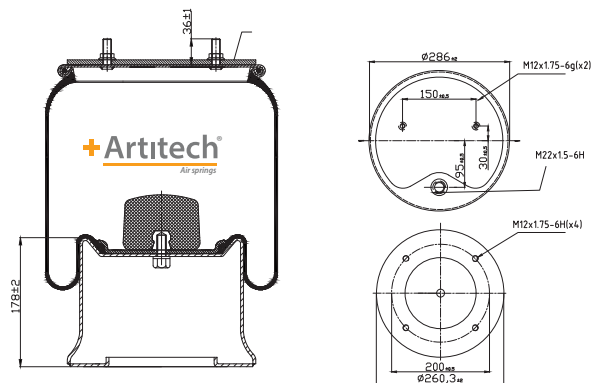
CODE  
**A4.1285.C02**

CROSS REFERENCES

PRIME-RIDE NEW 1R14-784  
PRIME-RIDE NEW 1R14-812  
PRIME-RIDE NEW FLEX NO. 566-28-3-529  
PRIME-RIDE NEW FLEX NO. 566-28-3-540  
BLACKTECH RML74031C  
BLACKTECH RML77685C  
DUNLOP F D14B49  
FIRESTONE NO. W01-M58-8107  
FIRESTONE STYLE 1T19L-11  
GOODYEAR 1R14-784  
GOODYEAR 1R14-812  
GOODYEAR FLEX NO. 566-28-3-529  
GOODYEAR FLEX NO. 566-28-3-540  
NEOTEC ABM 744 35 K 45  
SPRINGRIDE 1R14-784  
SPRINGRIDE 1R14-812  
SPRINGRIDE FLEX 566-28-3-529  
SPRINGRIDE FLEX 566-28-3-540  
VIBRACOUSTIC V1 D 28 F-5

OEM PART NO

SCHMITZ 017 089  
SCHMITZ 017 685  
WEWELER US 04029P  
WEWELER US 04031P  
WEWELER YP4031N-F



Product Explanation | Metal Complete Air Springs

Pallet Quantity : 22

Product Weight : 15 Kg.

CODE  
**A4.6700.C02**

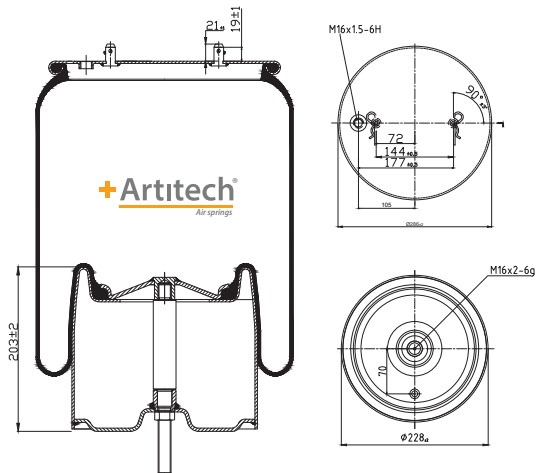
CROSS REFERENCES

|           |              |
|-----------|--------------|
| CONTITECH | 6700 N P02   |
| FIRESTONE | W01-M58-8535 |
| FIRESTONE | W01-S05-9881 |
| GOODYEAR  | 1R14-869     |

OEM PART NO

|        |         |
|--------|---------|
| SCANIA | 1903608 |
| SCANIA | 1944314 |

Product Explanation | Metal Complete Air Springs



Pallet Quantity : 18

Product Weight : 12,50 Kg.

CODE  
**A4.7329.C**

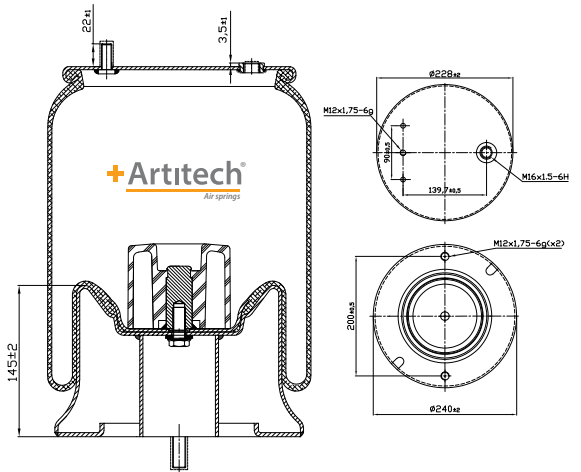
CROSS REFERENCES

|              |          |
|--------------|----------|
| PHOENIX      | 1D 23G-1 |
| VIBRACOUSTIC | V1D23G-1 |

OEM PART NO

|             |             |
|-------------|-------------|
| DAF         | 140 1395-A  |
| DAF         | 1407329     |
| HENDRICKSON | H 505431    |
| HENDRICKSON | HS505431-03 |

Product Explanation | Metal Complete Air Springs



Pallet Quantity : 28

Product Weight : 8,30 Kg.

CODE  
**A4.6755.C01**

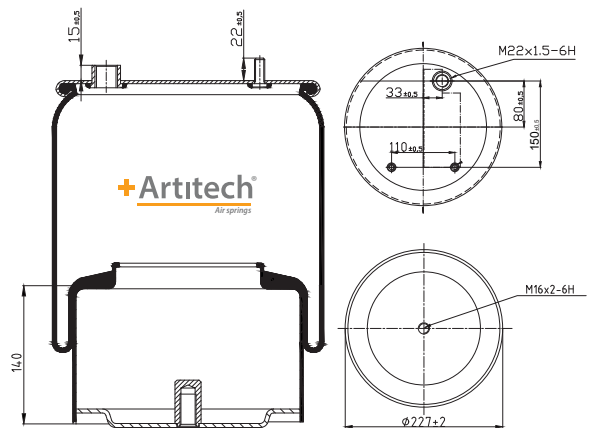
CROSS REFERENCES

|           |            |
|-----------|------------|
| CONTITECH | 6755 N P01 |
|-----------|------------|

OEM PART NO

|     |         |
|-----|---------|
| DAF | 1901305 |
|-----|---------|

Product Explanation | Metal Complete Air Springs



Pallet Quantity : 36

Product Weight : 8,10 Kg.

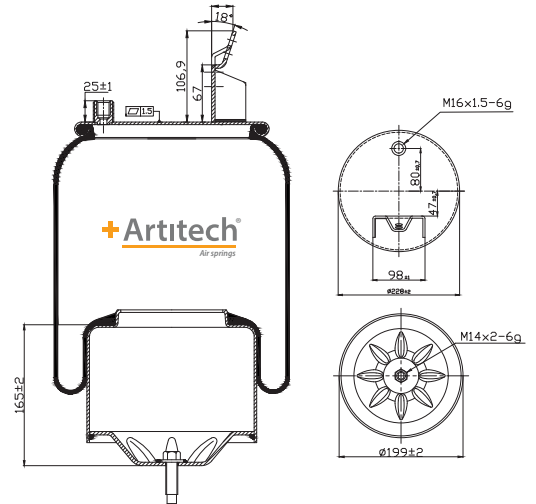
CODE  
**A4.7803.C**

CROSS REFERENCES

|           |              |
|-----------|--------------|
| CONTITECH | 6605 N P01   |
| DUNLOP    | D11B42       |
| FIRESTONE | 1T15LNR6     |
| FIRESTONE | W01 M58 8472 |
| GOODYEAR  | 1R11-805     |

OEM PART NO

|             |              |
|-------------|--------------|
| RENAULT RVI | 7422.071.638 |
| VOLVO       | 1 075 890    |
| VOLVO       | 1 076 415    |
| VOLVO       | 20 375 226   |
| VOLVO       | 20 427 800   |
| VOLVO       | 20 427 803   |
| VOLVO       | 20 456 150   |
| VOLVO       | 20 531 984   |
| VOLVO       | 20 582 206   |
| VOLVO       | 21 961 374   |



Product Explanation | Metal Complete Air Springs

Pallet Quantity : 30

Product Weight : 7 Kg.

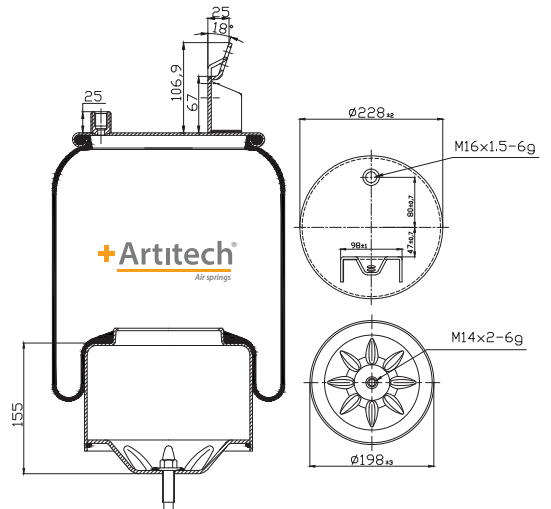
CODE  
**A4.7804.C**

CROSS REFERENCES

|           |              |
|-----------|--------------|
| CONTITECH | 6606 N P01   |
| FIRESTONE | 1T15LNR3     |
| FIRESTONE | W01 M58 8477 |

OEM PART NO

|       |            |
|-------|------------|
| VOLVO | 20 427 801 |
| VOLVO | 20 427 804 |
| VOLVO | 20 456 154 |
| VOLVO | 20 531 986 |
| VOLVO | 20 582 209 |
| VOLVO | 3 171 694  |



Product Explanation | Metal Complete Air Springs

Pallet Quantity : 39

Product Weight : 6,8 Kg.

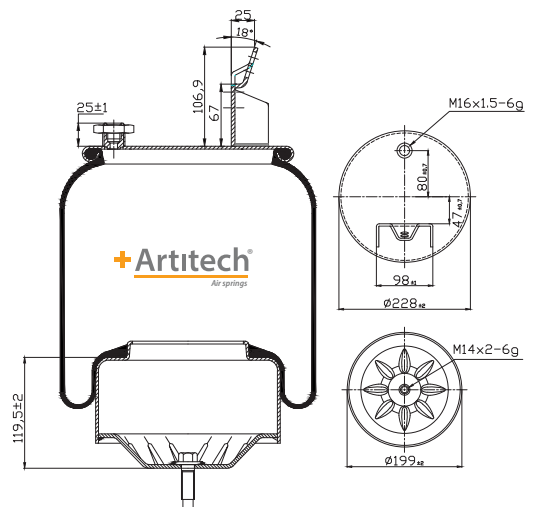
CODE  
**A4.7805.C**

CROSS REFERENCES

|           |            |
|-----------|------------|
| CONTITECH | 6606 N P02 |
|-----------|------------|

OEM PART NO

|       |            |
|-------|------------|
| VOLVO | 1 076 417  |
| VOLVO | 20 375 228 |
| VOLVO | 20 427 802 |
| VOLVO | 20 427 804 |
| VOLVO | 20 427 805 |
| VOLVO | 20 456 158 |
| VOLVO | 20 531 988 |
| VOLVO | 20 582 212 |
| VOLVO | 21 961 447 |



Product Explanation | Metal Complete Air Springs

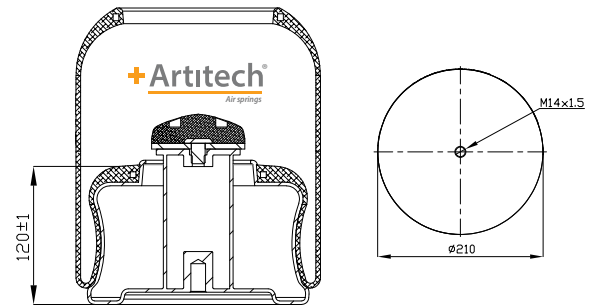
Pallet Quantity : 39

Product Weight : 6,50 Kg.

CODE  
**A4.8250.C**

CROSS REFERENCES

OEM PART NO



Product Explanation | Metal Complete Air Springs

Pallet Quantity : 45

Product Weight : XX Kg.

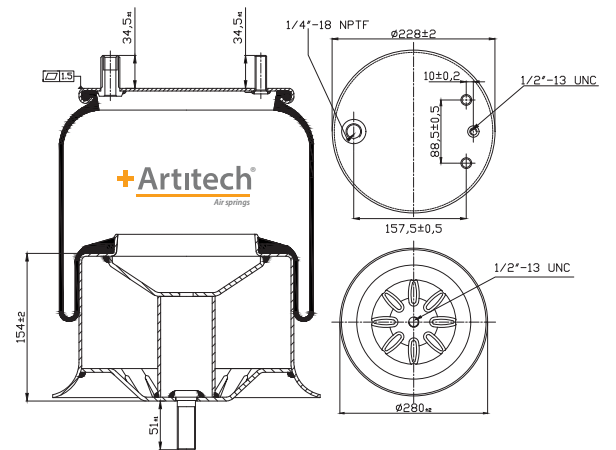
CODE  
**A4.9780.C**

CROSS REFERENCES

|           |              |
|-----------|--------------|
| FIRESTONE | 1T15ZR-6     |
| FIRESTONE | W01 358 9782 |

OEM PART NO

FREIGHTLINER 16-16773-000



Product Explanation | Metal Complete Air Springs

Pallet Quantity : 36

Product Weight : 9 Kg.

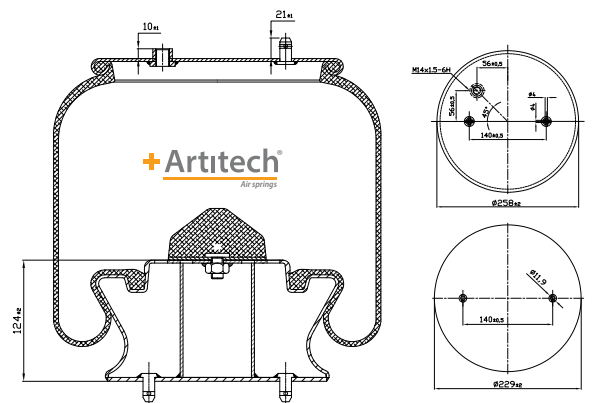
CODE  
**A4.40302.C**

CROSS REFERENCES

|           |              |
|-----------|--------------|
| FIRESTONE | 1T15VPR-3    |
| FIRESTONE | W01 M58 8193 |
| GOODYEAR  | 1R12-809     |
| PHOENIX   | 1DF23 A-1    |

OEM PART NO

SCANIA-S.BUSSAR 1440302  
SCANIA-S.BUSSAR 470921



Product Explanation | Metal Complete Air Springs

Pallet Quantity : 36

Product Weight : 7,90 Kg.



CODE  
**A4.40302.C01**

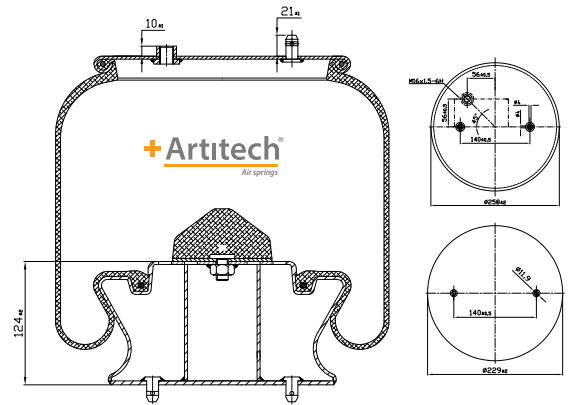
CROSS REFERENCES

GOODYEAR 1R12-813

OEM PART NO

SCANIA-SBUSSAR 1726238

Product Explanation | Metal Complete Air Springs



Pallet Quantity : 36

Product Weight : 7,90 Kg.

CODE  
**A4.40304.C**

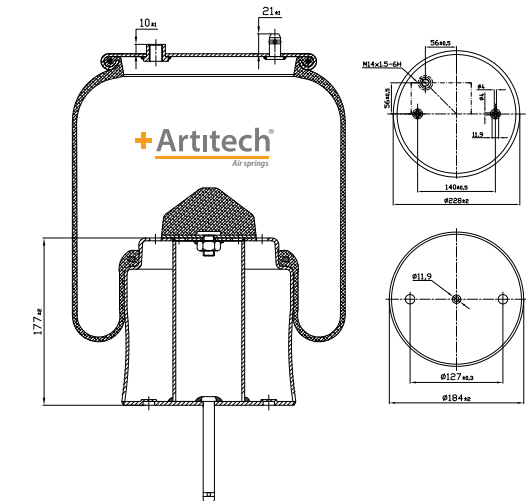
CROSS REFERENCES

GOODYEAR 1R11-829  
PHOENIX 1DF20 A-3

OEM PART NO

SCANIA-SBUSSAR 1440304  
SCANIA-SBUSSAR 470922

Product Explanation | Metal Complete Air Springs



Pallet Quantity : 36

Product Weight : 7,90 Kg.

CODE  
**A4.40304.C01**

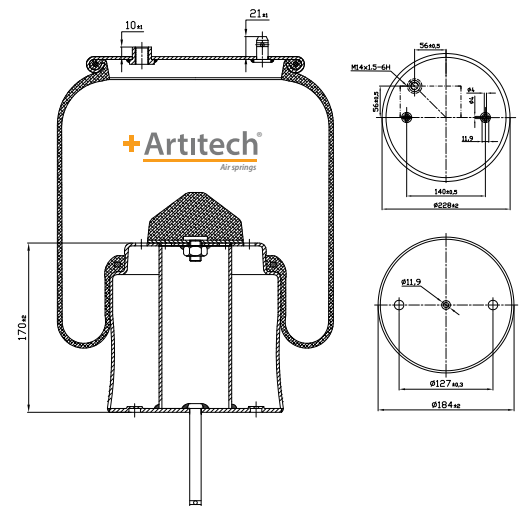
CROSS REFERENCES

GOODYEAR 1R11-834

OEM PART NO

SCANIA-SBUSSAR 1726240

Product Explanation | Metal Complete Air Springs



Pallet Quantity : 39

Product Weight : 7,90 Kg.

# 02

## COMPLETE PLASTIC PISTON

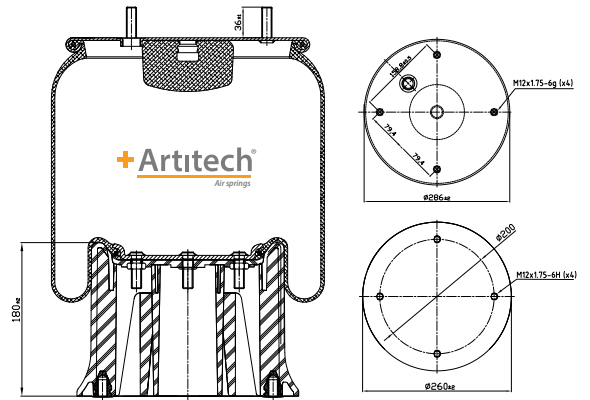


CODE  
**A4.813.CP**

CROSS REFERENCES

FIRESTONE 1T19L-11  
FIRESTONE W01 M58 6339

OEM PART NO



Product Explanation | Complete Plastic Piston

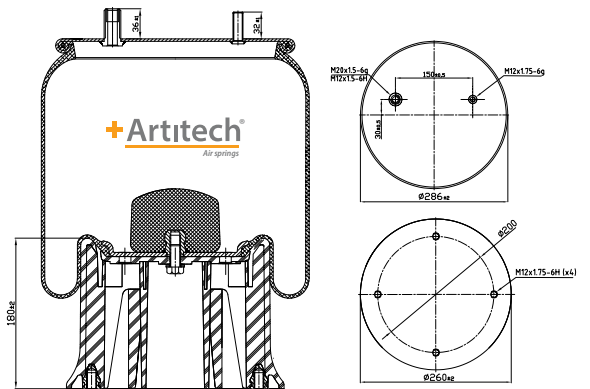
Pallet Quantity : 22

Product Weight : 9 Kg.

CODE  
**A4.813.CP02**

CROSS REFERENCES

OEM PART NO



Product Explanation | Complete Plastic Piston

Pallet Quantity : 22

Product Weight : 9,10 Kg.

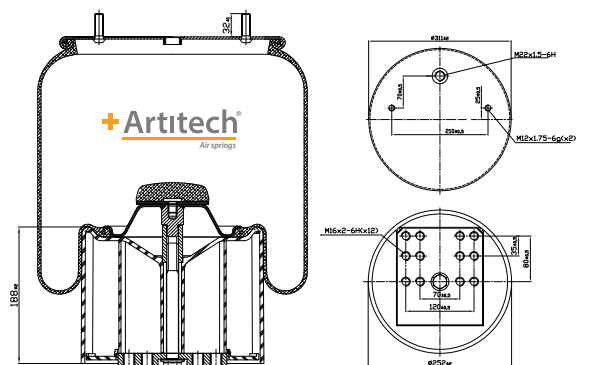
CODE  
**A4.881.CP**

CROSS REFERENCES

DUNLOP D14B41  
FIRESTONE 1T66F-10.8  
FIRESTONE W01 M58 8667  
GOODYEAR 1R14-748  
PHOENIX 1DK 32-1

OEM PART NO

BPW 05 429 43 51 0



Product Explanation | Complete Plastic Piston

Pallet Quantity : 18

Product Weight : 13,60 Kg.

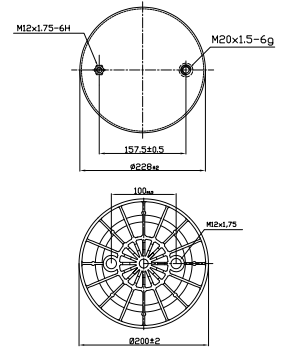
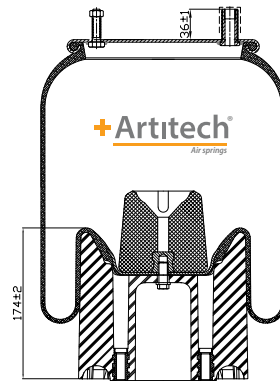
CODE  
**A4.4159.CP03**

CROSS REFERENCES

|           |                |
|-----------|----------------|
| FIRESTONE | 1T15M-9        |
| FIRESTONE | W01-M58-7308   |
| GOODYEAR  | 1R12-713       |
| AIRTECH   | 34159-S1 C-ALU |

OEM PART NO

|        |         |
|--------|---------|
| SCANIA | 255294  |
| SCANIA | 1314905 |



Product Explanation | Complete Plastic Piston

Pallet Quantity : 28

Product Weight : 7,68 Kg.

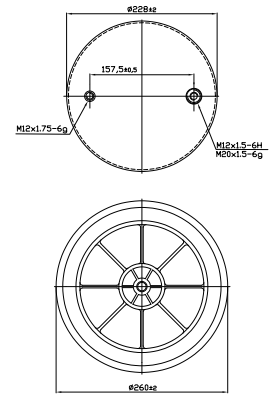
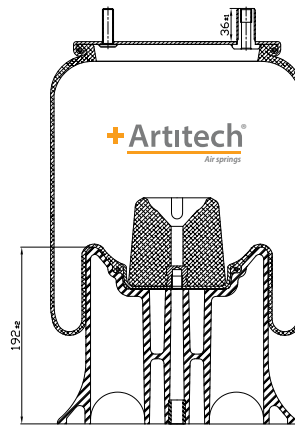
CODE  
**A4.4159.CP09**

CROSS REFERENCES

|           |                  |
|-----------|------------------|
| CF GOMMA  | 1T 323-40 200751 |
| CONTITECH | 4159 N P09       |
| FIRESTONE | 1T15M-9          |
| FIRESTONE | W01 M58 9131     |
| GOODYEAR  | 1R12-721         |
| PHOENIX   | 1DK 21 B-8       |

OEM PART NO

|          |              |
|----------|--------------|
| CARDI    | 580 51210    |
| FRUEHAUF | UJB 0358-001 |
| SAMRO    | H 2500324    |
| SMB      | 152 5199     |
| SMB      | M 001774     |



Product Explanation | Complete Plastic Piston

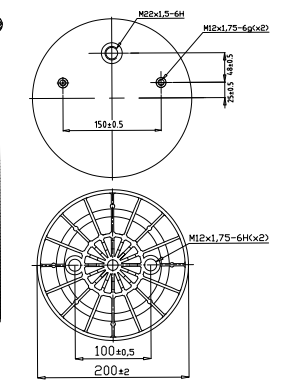
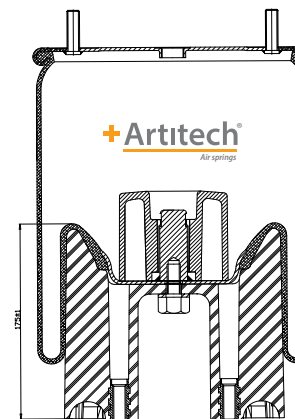
Pallet Quantity : 28

Product Weight :7,20 Kg.

CODE  
**A4.4158.CP10**

CROSS REFERENCES

OEM PART NO



Product Explanation | Complete Plastic Piston

Pallet Quantity : 28

Product Weight : 9 Kg.

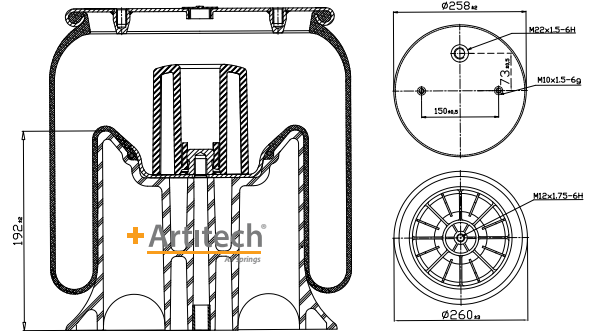
CODE  
**A4.4158.CP03**

CROSS REFERENCES

|           |              |
|-----------|--------------|
| CONTITECH | 4158 N P03   |
| DUNLOP    | D12B22       |
| FIRESTONE | 1T15MPW-9    |
| FIRESTONE | W01 M58 8185 |
| GOODYEAR  | 1R12-749     |
| PHOENIX   | 1DK 20 B-1   |

OEM PART NO

|         |         |
|---------|---------|
| SCHMITZ | 14892   |
| SCHMITZ | 750 999 |
| WEWELER | US 0628 |



Product Explanation | Complete Plastic Piston

Pallet Quantity : 28

Product Weight : 6,70 Kg.

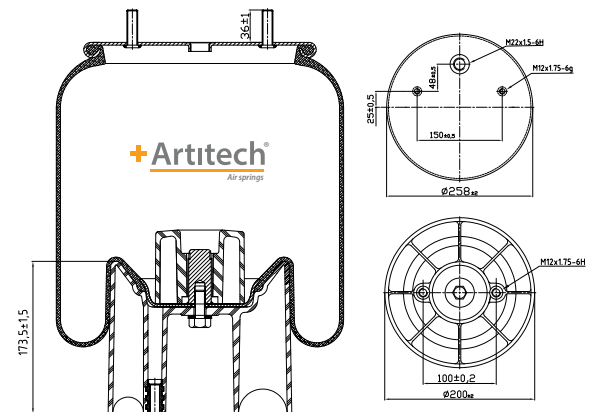
CODE  
**A4.4157.CP04**

CROSS REFERENCES

|           |              |
|-----------|--------------|
| CONTITECH | 4157 N P04   |
| DUNLOP    | D12B18       |
| FIRESTONE | 1T15MPW-7    |
| FIRESTONE | W01 M58 6297 |
| GOODYEAR  | 1R11-111     |
| PHOENIX   | 1DK 21 A-4   |
| PHOENIX   | 1DK 21 A-8   |
| TAURUS    | KR 915-54    |

OEM PART NO

|             |                |
|-------------|----------------|
| DAIMLER TAS | A 946 328 1401 |
| ROR         | 2122 1307      |
| WEWELER     | US 06287       |
| WEWELER     | US 07364       |



Product Explanation | Complete Plastic Piston

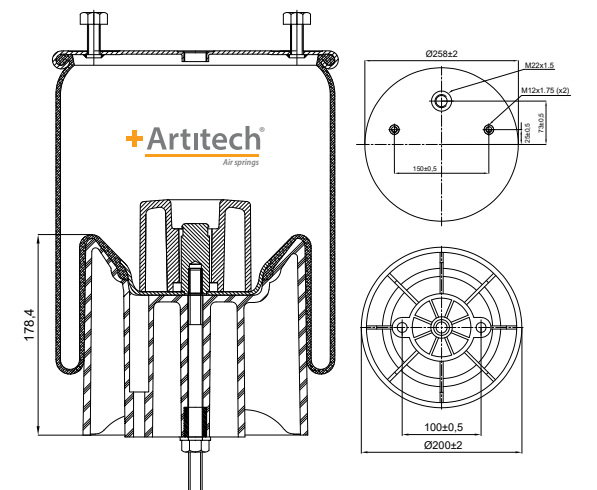
Pallet Quantity : 28

Product Weight :6,60 Kg.

CODE  
**A4.4157.CP50**

CROSS REFERENCES

OEM PART NO



Product Explanation | Complete Plastic Piston

Pallet Quantity : 28

Product Weight : 7 Kg.

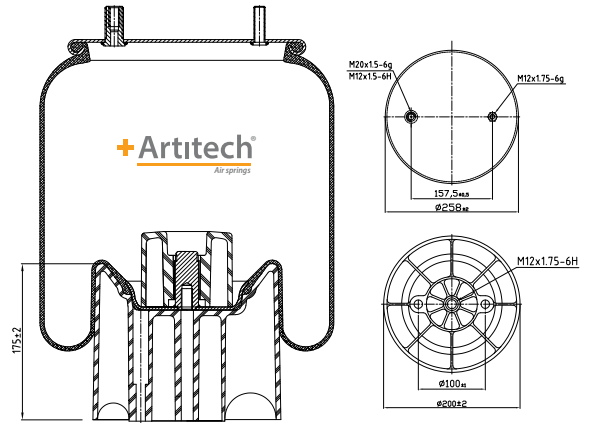
CODE  
**A4.4157.CP10**

CROSS REFERENCES

|           |              |
|-----------|--------------|
| CONTITECH | 4157 N P10   |
| DUNLOP    | D12B29       |
| FIRESTONE | 1T15MPW-7    |
| FIRESTONE | W01 M58 6315 |
| GOODYEAR  | 1R11-772     |
| PHOENIX   | 1DK 20 A-51  |
| TAURUS    | KR 915-51    |

OEM PART NO

|          |           |
|----------|-----------|
| ACERBI   | 128140028 |
| ACERBI   | 800449526 |
| FRUEHAUF | UJB 0975  |
| SMB      | M060924   |



Product Explanation | Complete Plastic Piston

Pallet Quantity : 28

Product Weight : 6,60 Kg.

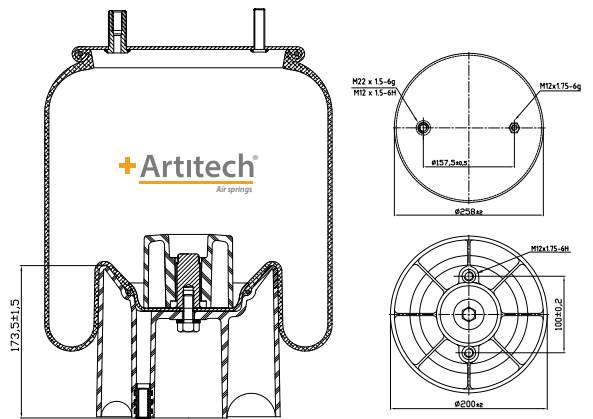
CODE  
**A4.4157.CP09**

CROSS REFERENCES

|           |                  |
|-----------|------------------|
| CF GOMMA  | 1T 300-38 205598 |
| CONTITECH | 4157 N P09       |
| DUNLOP    | D12B17           |
| FIRESTONE | 1T15MPW-7        |
| FIRESTONE | W01 M58 7074     |
| GOODYEAR  | 1R11-106         |
| PHOENIX   | 1DK 21 A-31      |
| TAURUS    | KR 913-57        |

OEM PART NO

|         |            |
|---------|------------|
| ROR     | 2122 2442  |
| WEWELER | US 07074 F |



Product Explanation | Complete Plastic Piston

Pallet Quantity : 28

Product Weight : 6,60 Kg.

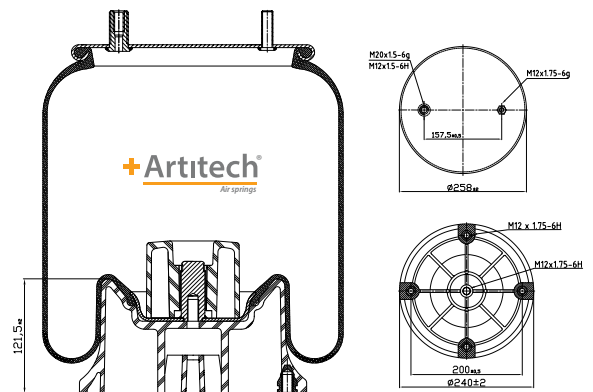
CODE  
**A4.4157.CP08**

CROSS REFERENCES

|           |              |
|-----------|--------------|
| CONTITECH | 4157 N P08   |
| DUNLOP    | D12B30       |
| FIRESTONE | 1T15MPW-7    |
| FIRESTONE | W01 M58 6317 |
| GOODYEAR  | 1R11-773     |
| PHOENIX   | 1DK 20 C-2   |

OEM PART NO

|       |           |
|-------|-----------|
| NEWAY | 905 57233 |
| SAMRO | H 2501869 |
| SMB   | M078 580  |



Product Explanation | Complete Plastic Piston

Pallet Quantity : 28

Product Weight : 6,60 Kg.

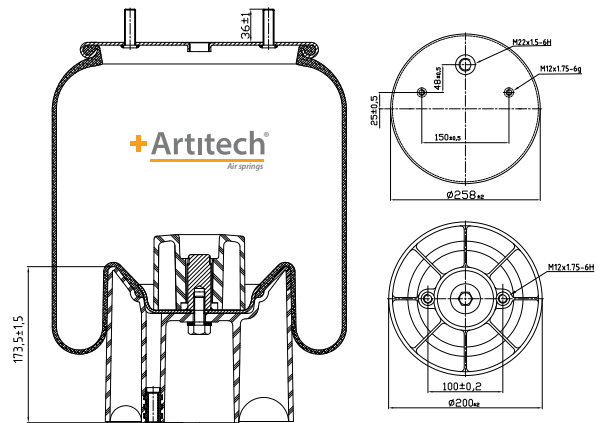
CODE  
**A4.4157.CP04**

CROSS REFERENCES

|           |              |
|-----------|--------------|
| CONTITECH | 4157 N P04   |
| DUNLOP    | D12B18       |
| FIRESTONE | 1T15MPW-7    |
| FIRESTONE | W01 M58 6297 |
| GOODYEAR  | 1R11-111     |
| PHOENIX   | 1DK 21 A-4   |
| PHOENIX   | 1DK 21 A-8   |
| TAURUS    | KR 915-54    |

OEM PART NO

|             |                |
|-------------|----------------|
| DAIMLER TAS | A 946 328 1401 |
| ROR         | 2122 1307      |
| WEWELER     | US 06287       |
| WEWELER     | US 07364       |



Product Explanation | Complete Plastic Piston

Pallet Quantity : 28

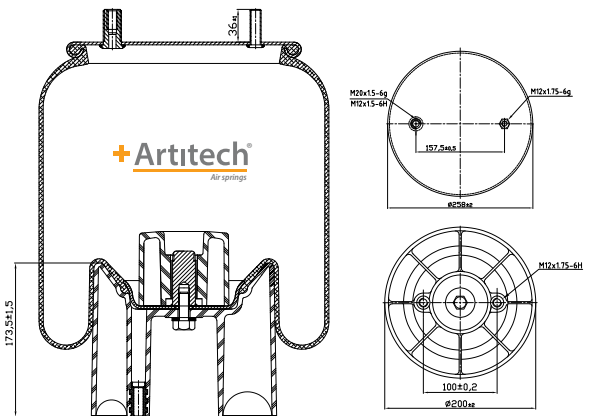
Product Weight : 6,60 Kg.

CODE  
**A4.4157.CP03**

CROSS REFERENCES

|           |            |
|-----------|------------|
| CONTITECH | 4157 N P03 |
|-----------|------------|

OEM PART NO



Product Explanation | Complete Plastic Piston

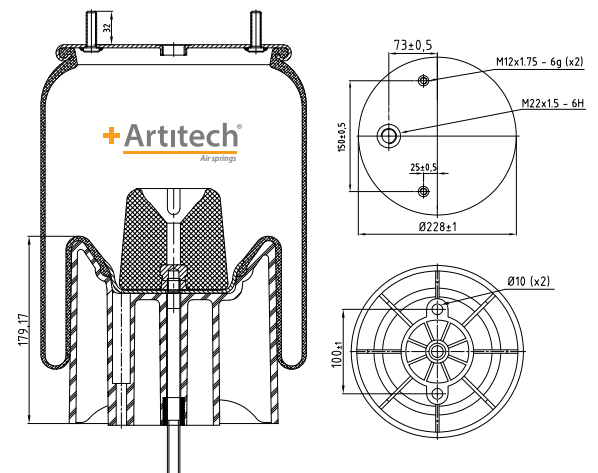
Pallet Quantity : 28

Product Weight : 7 Kg.

CODE  
**A4.4156.CP50**

CROSS REFERENCES

OEM PART NO



Product Explanation | Complete Plastic Piston

Pallet Quantity : 28

Product Weight : 6,80 Kg.

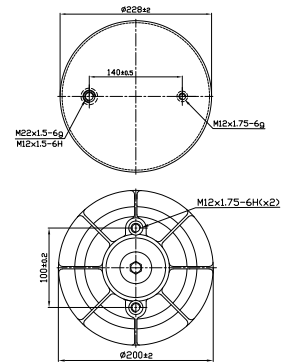
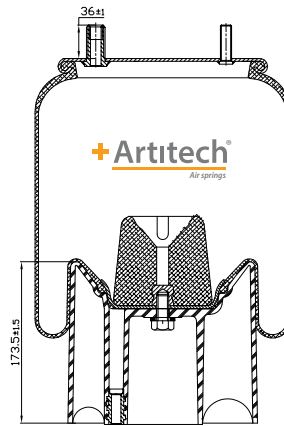
CODE  
**A4.4156.CP30**

CROSS REFERENCES

FIRESTONE W01 M58 6269

OEM PART NO

HENDRICKSON 550 552



Product Explanation | Complete Plastic Piston

Pallet Quantity : 28

Product Weight : 6,40 Kg.

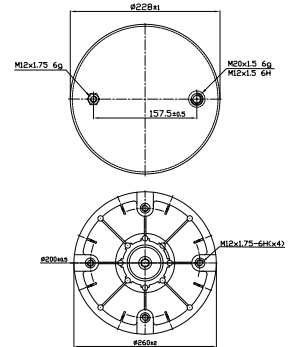
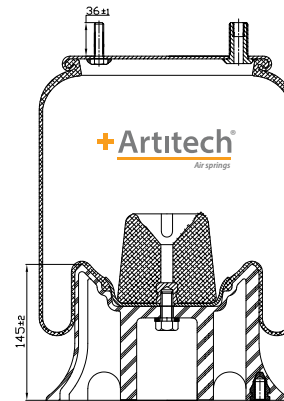
CODE  
**A4.4156.CP15**

CROSS REFERENCES

CONTITECH 4156 N P15  
FIRESTONE 1T15M-6  
FIRESTONE W01 358 9361  
GOODYEAR 1R12-716  
PHOENIX 1DK 21 A-2  
SPRINGRIDE D12B19  
TAURUS KR 506-28

OEM PART NO

FRUEHAUF M00 1472  
HENDRICKSON HA100001  
MERITOR (ROR) 2121 5761  
SMB UJB 0207  
WEWELER US 35864



Product Explanation | Complete Plastic Piston

Pallet Quantity : 28

Product Weight :6,60 Kg.

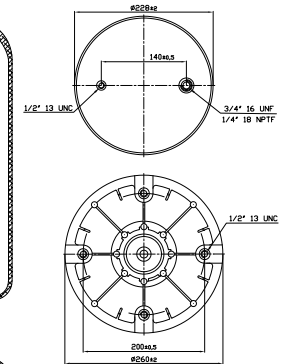
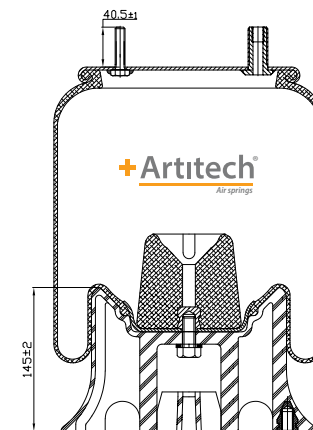
CODE  
**A4.4156.CP14**

CROSS REFERENCES

F GOMMA 1T 323-32  
CONTITECH 4156 N P14  
DUNLOP D12B33  
GOODYEAR 1R12-716  
PHOENIX 1 DK 23 K-9082

OEM PART NO

HENDRICKSON B 2066  
MERITOR (ROR) 212 08939  
NEWAY 905 57027  
NEWAY 905 57075  
WEWELER US 09361F



Product Explanation | Complete Plastic Piston

Pallet Quantity : 28

Product Weight : 6,60 Kg.



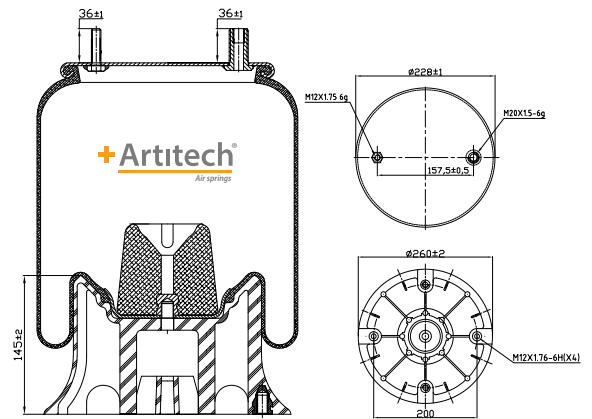
CODE  
**A4.4156.CP11**

CROSS REFERENCES

FIRESTONE 1T15M-6  
FIRESTONE W01 M58 9296

OEM PART NO

HENDRICKSON HS 25009



Product Explanation | Complete Plastic Piston

Pallet Quantity : 28

Product Weight : 6,60 Kg.

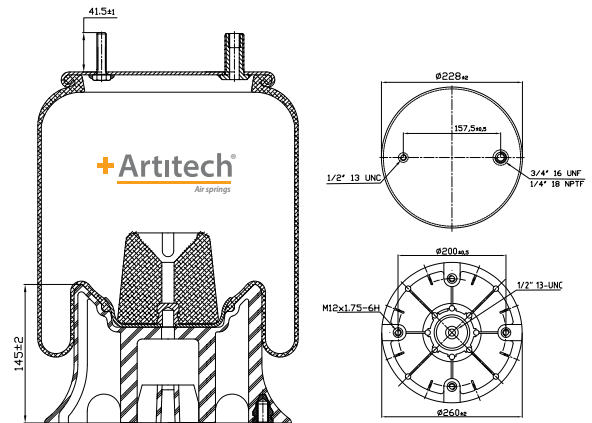
CODE  
**A4.4156.CP10**

CROSS REFERENCES

CONTITECH 4156 N P10  
FIRESTONE 1T15M-6  
FIRESTONE W01 358 8929  
GOODYEAR 1R12-461

OEM PART NO

HENDRICKSON HA 100016



Product Explanation | Complete Plastic Piston

Pallet Quantity : 28

Product Weight : 6,60 Kg.

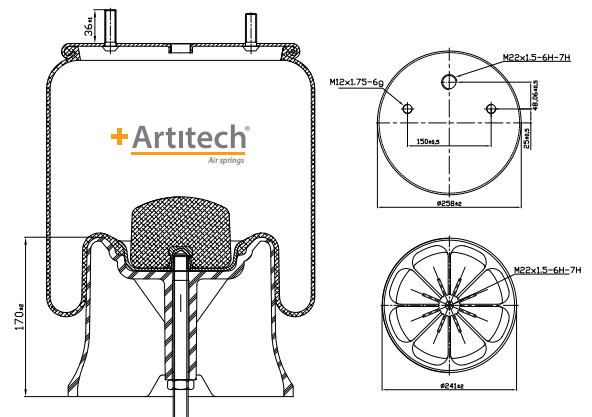
CODE  
**A4.4022.CP06**

CROSS REFERENCES

PHOENIX 1 DK 22 E-9 2621 V  
VIBRACOUSTIC V 1 DK 22 E-13

OEM PART NO

SAF HOLLAND 3 229 0038 00



Product Explanation | Complete Plastic Piston

Pallet Quantity : 28

Product Weight : 7 Kg.

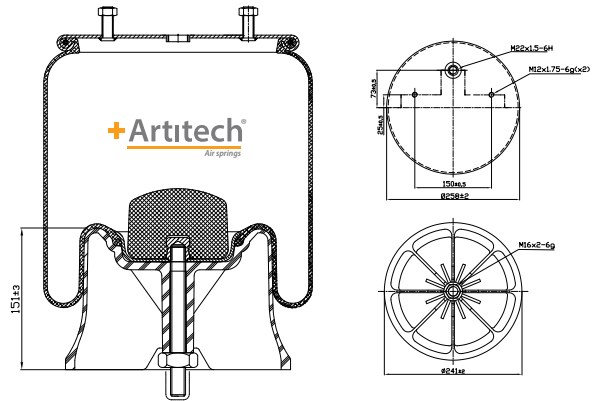
CODE  
**A4.4022.CP05**

CROSS REFERENCES

|              |                  |
|--------------|------------------|
| CF GOMMA     | 1T 300-37 206585 |
| CONTITECH    | 4022 N P05       |
| FIRESTONE    | 1T17BS-6         |
| FIRESTONE    | W01 M58 8612     |
| GART         | D278S 278.1455   |
| GOODYEAR     | 1R11-781         |
| PHOENIX      | 1DK22 E-11       |
| VIBRACOUSTIC | V1DK22 E-10      |

OEM PART NO

|             |               |
|-------------|---------------|
| SAF HOLLAND | 3 229 0033 00 |
|-------------|---------------|



Product Explanation | Complete Plastic Piston

Pallet Quantity : 28

Product Weight : 6,60 Kg.

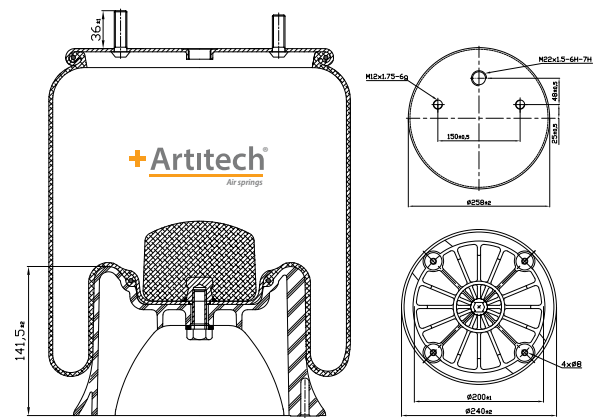
CODE  
**A4.4022.CP03**

CROSS REFERENCES

|              |                  |
|--------------|------------------|
| CF GOMMA     | 1T 300-37 206340 |
| CONTITECH    | 4022 N P03       |
| FIRESTONE    | 1T17BS-6         |
| FIRESTONE    | W01 M58 6367     |
| GART         | D278S 278.4.454  |
| GOODYEAR     | 1R11-714         |
| PHOENIX      | 1DK22 E-9        |
| SPRINGRIDE   | D12B14           |
| VIBRACOUSTIC | V1DK22 E-9       |

OEM PART NO

|             |               |
|-------------|---------------|
| SAF HOLLAND | 3.229.0029.00 |
| SAF HOLLAND | 3.229.2129.00 |
| SAF HOLLAND | 3.229.2229.00 |
| SAF HOLLAND | 3.229.2429.00 |



Product Explanation | Complete Plastic Piston

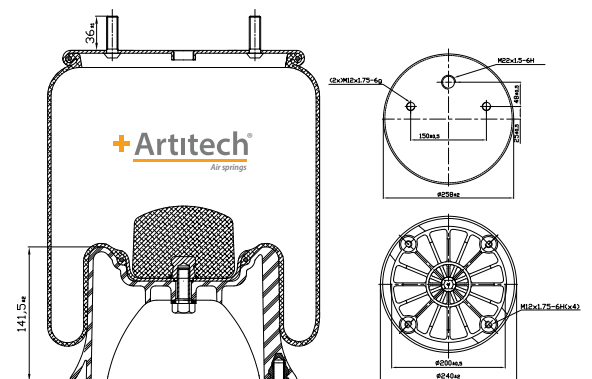
Pallet Quantity : 28

Product Weight : 6,60 Kg.

CODE  
**A4.4022.CP02**

CROSS REFERENCES

OEM PART NO



Product Explanation | Complete Plastic Piston

Pallet Quantity : 28

Product Weight : 6,50 Kg.

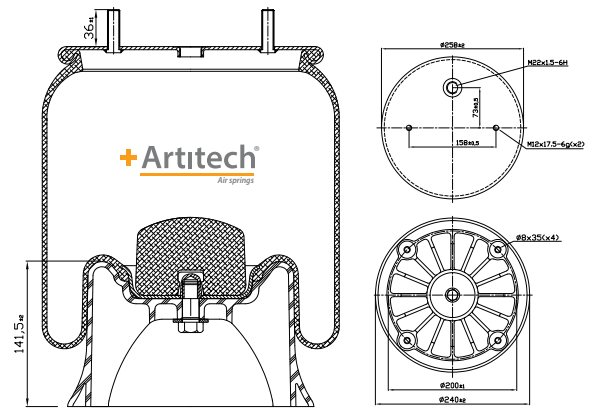
CODE  
**A4.4004.CP03**

CROSS REFERENCES

|              |             |
|--------------|-------------|
| CONTITECH    | 4004 N P03  |
| FIRESTONE    | 1T17BS-6    |
| GART D278S   | 278.4.452   |
| GOODYEAR     | 1R11-713    |
| GOODYEAR     | 1R11-750    |
| PHOENIX      | 1DK22 E-8   |
| SPRINGRIDE   | D12B13      |
| SPRINGRIDE   | D12B34      |
| VIBRACOUSTIC | V1DK22 E-8  |
| FIRESTONE    | W01M58 6366 |

OEM PART NO

|             |              |
|-------------|--------------|
| SAF HOLLAND | 3.229.007.00 |
|-------------|--------------|



Product Explanation | Complete Plastic Piston

Pallet Quantity : 28

Product Weight : 8,50 Kg.

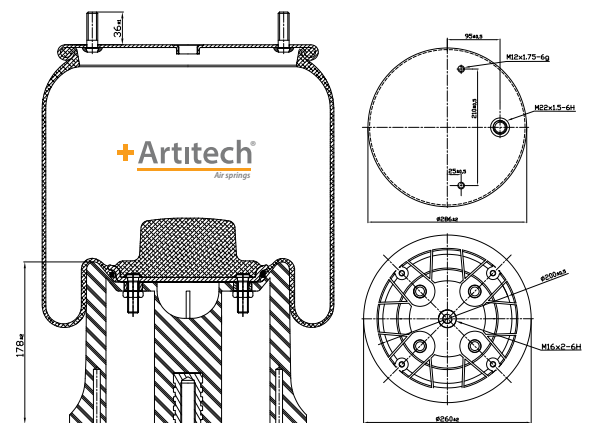
CODE  
**A4.2924.CP**

CROSS REFERENCES

|         |             |
|---------|-------------|
| PHOENIX | 1 D 28 B-11 |
|---------|-------------|

OEM PART NO

|             |               |
|-------------|---------------|
| SAF HOLLAND | 2924 V        |
| SAF HOLLAND | 3.229.0041.00 |



Product Explanation | Complete Plastic Piston

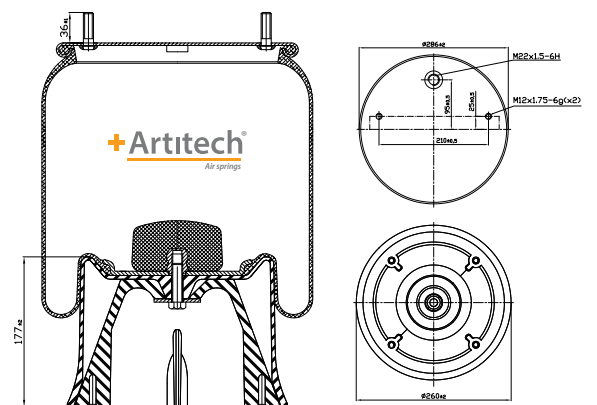
Pallet Quantity : 22

Product Weight : 9,50 Kg.

CODE  
**A4.2923.CP**

CROSS REFERENCES

OEM PART NO



Product Explanation | Complete Plastic Piston

Pallet Quantity : 22

Product Weight : 8,50 Kg.

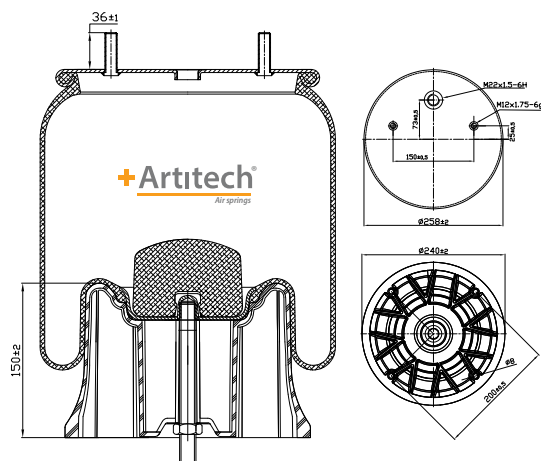
CODE  
**A4.2919.CP**

CROSS REFERENCES

|                         |              |
|-------------------------|--------------|
| BLACKTECH               | RML75921CP   |
| BLACKTECH               | RML75921CP1  |
| BLACKTECH               | RML75921CP2  |
| CONTITECH               | 4810 N P13   |
| FIRESTONE NO            | W01-M58-5540 |
| FIRESTONE STYLE         | 1T19FB-8     |
| GART NO.                | 2771421      |
| GART REF.               | D277/B       |
| NEOTEC ABM              | 722 34 C 41  |
| PHOENIX 1               | D 28 E-2     |
| PRIME-RIDE NEW          | 1R14-892     |
| PRIME-RIDE NEW FLEX NO. | 566-28-3-562 |

OEM PART NO

|             |               |
|-------------|---------------|
| SAF HOLLAND | 2919 V        |
| SAF HOLLAND | 3 229 0042 00 |



Product Explanation | Complete Plastic Piston

Pallet Quantity : 22

Product Weight : 6,50 Kg.

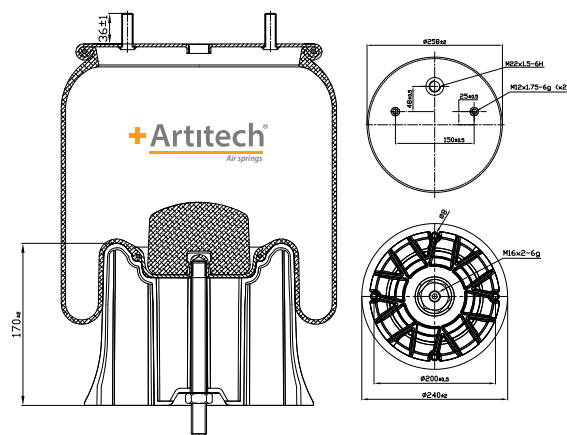
CODE  
**A4.2621.CP**

CROSS REFERENCES

|              |                 |
|--------------|-----------------|
| PHOENIX      | 1DK 22 E-13     |
| VIBRACOUSTIC | V1DK22E-13      |
| CF GOMMA     | 1T300-37/207719 |
| GART         | D278/S-278.1453 |
| AIRTECH      | 32621 CPP       |

OEM PART NO

|             |               |
|-------------|---------------|
| SAF HOLLAND | 3 229 0038 00 |
|-------------|---------------|



Product Explanation | Complete Plastic Piston

Pallet Quantity : 28

Product Weight :7,50 Kg.

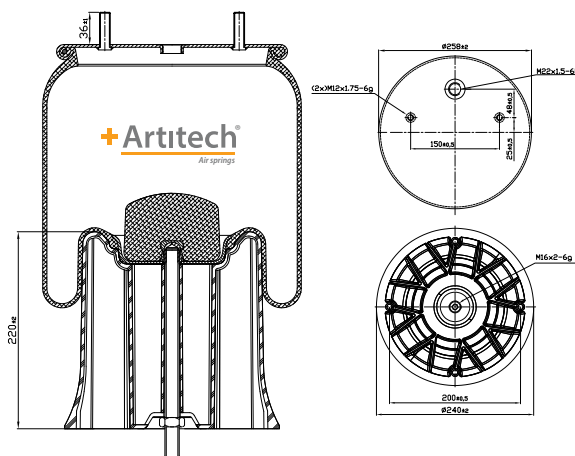
CODE  
**A4.2626.CP**

CROSS REFERENCES

|         |           |
|---------|-----------|
| AIRTECH | 32626 CPP |
|---------|-----------|

OEM PART NO

|             |               |
|-------------|---------------|
| SAF HOLLAND | 3 229 0039 00 |
|-------------|---------------|



Product Explanation | Complete Plastic Piston

Pallet Quantity : 28

Product Weight : 8 Kg.

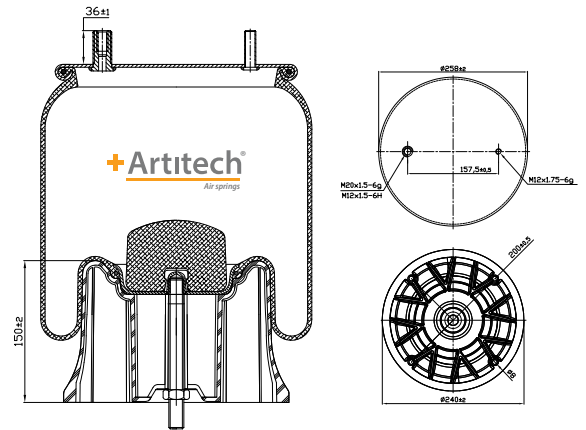
CODE  
**A4.2619.CP01**

CROSS REFERENCES

AIRTECH 32619-01 CPP

OEM PART NO

SAF 2619 B  
SAF 3 228 1033 00



Product Explanation | Complete Plastic Piston

Pallet Quantity : 28

Product Weight : 7 Kg.

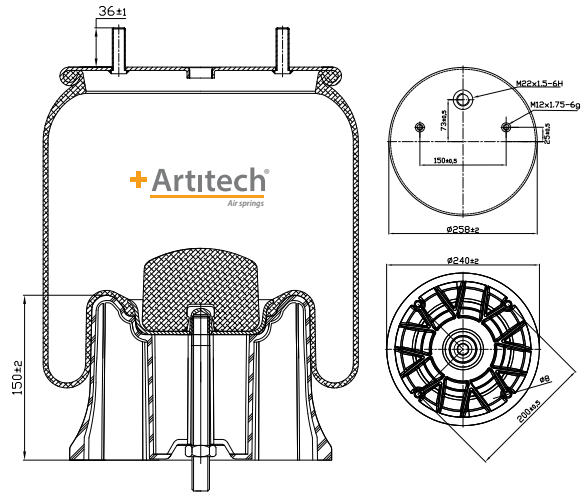
CODE  
**A4.2619.CP**

CROSS REFERENCES

CONTITECH 4022 N P05  
FIRESTONE 1T17BS-6  
FIRESTONE W01-M58-8612  
GOODYEAR 1R11-781  
AIRTECH 32619 CPP

OEM PART NO

PHOENIX 1 DK 22 E-11  
VIBRACOUSTIC V1DK22E-10  
BLACKTECH RML75133CP5  
FIRESTONE W01-M58-8612  
FIRESTONE STYLE 1T17BS-6  
GOODYEAR 1R11-781  
GOODYEAR 566-22-3-526  
CF GOMMA 566-22-3-526  
CF GOMMA 1T300-37  
GART 278.1455  
GART D278/S  
SPRINGRIDE 1R11-781  
SPRINGRIDE 566-22-3-526  
PRIMERIDE 54022 A P05  
PRIMERIDE 1R11-781  
PRIMERIDE 566-22-3-526  
DUNLOP D11B41  
NEOTECH ABM 520 30 A 11



Product Explanation | Complete Plastic Piston

Pallet Quantity : 28

Product Weight : 7 Kg.

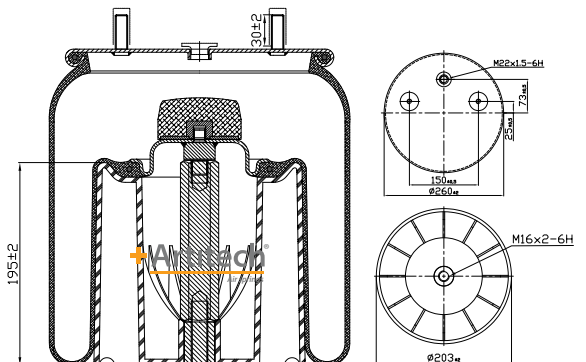
CODE  
**A4.941.CP01**

CROSS REFERENCES

CONTITECH 941 MB P01

OEM PART NO

CONTITECH 40030 N P01  
CONTITECH 941 MB P01  
FIRESTONE NO. W01-M58-8072  
FIRESTONE STYLE 1T17J-118  
PHOENIX 1DK 21-4  
PRIME-RIDE NEW 1R11-940



Product Explanation | Complete Plastic Piston

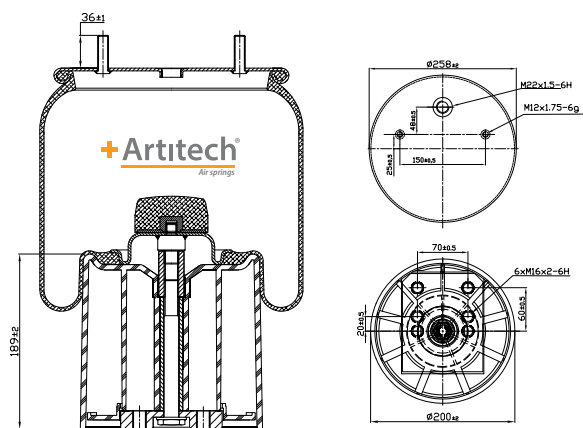
Pallet Quantity : 28

Product Weight : 7,80 Kg.

CODE  
**A4.941.CP**

OEM PART NO

|                 |              |                         |              |
|-----------------|--------------|-------------------------|--------------|
| BLACKTECH       | RML7052CP    | GART NO.                | 2932512      |
| CF GOMMA NO     | 206356       | GART REF.               | C293         |
| CF GOMMA REF.   | 1TC300-36    | GOODYEAR                | 1R11-743     |
| CONTITECH       | 40030 N P02  | GOODYEAR FLEX NO.       | 566-22-3-500 |
| CONTITECH       | 941 MB P02   | PHOENIX                 | 1DK 21-2     |
| CONTITECH       | 941 MB P30   | PRIMERIDE               | 5941 A P04   |
| DUNLOP F        | D11B33       | PRIME-RIDE NEW          | 1R11-743     |
| DUNLOP UK       | 00935A-AP    | PRIME-RIDE NEW FLEX NO. | 566-22-3-500 |
| FIRESTONE NO.   | W01-M58-8618 | SPRINGRIDE              | 1R11-743     |
| FIRESTONE NO.   | W01-M58-8668 | SPRINGRIDE FLEX         | 566-22-3-500 |
| FIRESTONE STYLE | 1T17D-83     | VIBRACOUSTIC            | V1DK21 Y1    |
| FIRESTONE STYLE | 1T17J-103    |                         |              |



Product Explanation | Complete Plastic Piston

Pallet Quantity : 28

Product Weight : 9,50 Kg.

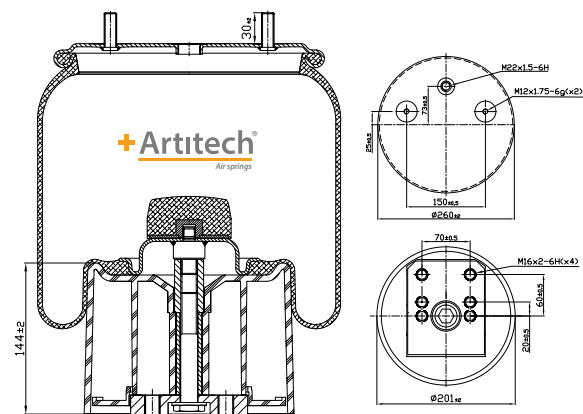
CODE  
**A4.940.CP**

CROSS REFERENCES

|            |              |
|------------|--------------|
| CONTITECH  | 940 MB P30   |
| FIRESTONE  | 1T17D-4,3    |
| FIRESTONE  | W01 M58 8585 |
| GOODYEAR   | 1R11-752     |
| SPRINGRIDE | D11B36       |

OEM PART NO

|         |                |
|---------|----------------|
| BPW     | 05 429 43 21 0 |
| SCANIA  | 2198483        |
| SCHMITZ | 017 331        |
| SCHMITZ | 751 084        |



Product Explanation | Complete Plastic Piston

Pallet Quantity : 28

Product Weight :8,50 Kg.

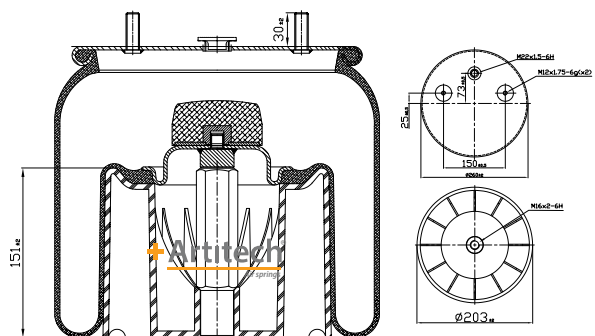
CODE  
**A4.940.CP01**

CROSS REFERENCES

|           |              |
|-----------|--------------|
| CONTITECH | 940 MB P01   |
| FIRESTONE | W01 M58 8073 |

OEM PART NO

|     |                |
|-----|----------------|
| BPW | 05.429.43.86.0 |
|-----|----------------|



Product Explanation | Complete Plastic Piston

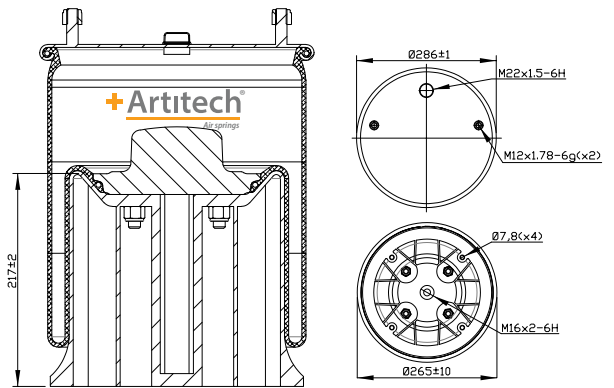
Pallet Quantity : 28

Product Weight : 6,50 Kg.

CODE  
**A4.912.CP**

OEM PART NO

|                         |                 |
|-------------------------|-----------------|
| CONTITECH               | 912 N P04       |
| FIRESTONE NO.           | W01-M58-5542    |
| FIRESTONE STYLE         | 1T19FB-15       |
| FIRESTONE STYLE         | C01-M58-1173    |
| NEOTEC                  | ABM 760 33 C 49 |
| PHOENIX                 | 1 D 28 D-11     |
| PRIME-RIDE NEW          | 1R14-890        |
| PRIME-RIDE NEW FLEX NO. | 566-28-3-510    |



Product Explanation | Complete Plastic Piston

Pallet Quantity : 28

Product Weight : 11,70 Kg.

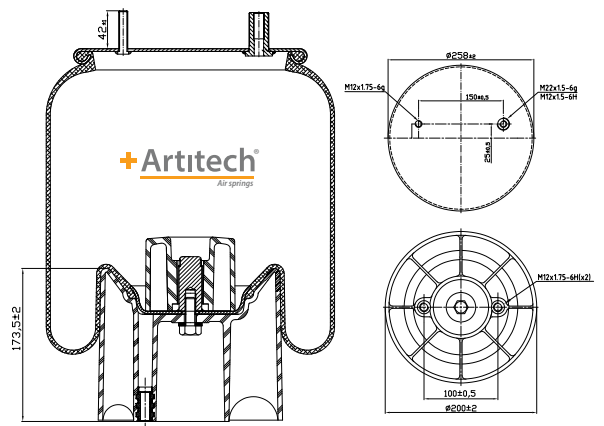
CODE  
**A4.4162.CP**

CROSS REFERENCES

CONTITECH 4162 N P01

OEM PART NO

DAIMLER TAS A 946 328 2501



Product Explanation | Complete Plastic Piston

Pallet Quantity : 28

Product Weight : 6,50 Kg.

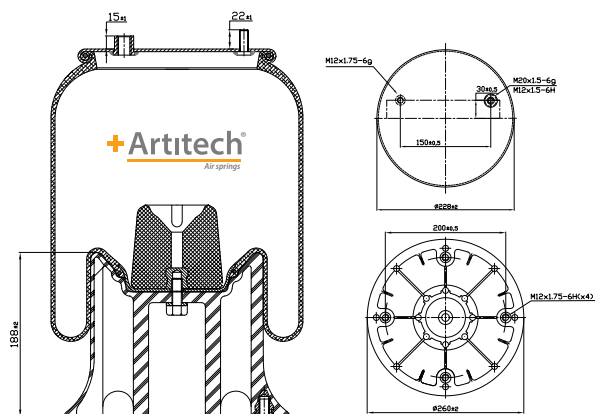
CODE  
**A4.4159.CP27**

CROSS REFERENCES

FIRESTONE W01 681 9242

OEM PART NO

GRANNING 11382  
GRANNING 15699



Product Explanation | Complete Plastic Piston

Pallet Quantity : 28

Product Weight : 7,10 Kg.



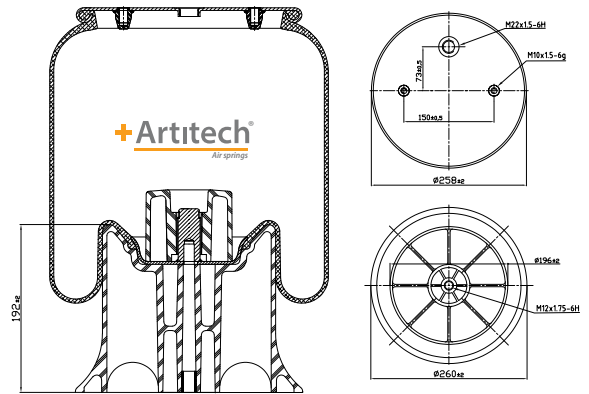
CODE  
**A4.4157.CP06**

CROSS REFERENCES

|           |              |
|-----------|--------------|
| CONTITECH | 4157 N P06   |
| DUNLOP    | D11B37       |
| FIRESTONE | 1T15MPW-7    |
| FIRESTONE | W01 M58 8186 |
| GOODYEAR  | 1R11-764     |
| PHOENIX   | 1DK 20 A-1   |

OEM PART NO

|         |          |
|---------|----------|
| SCHMITZ | 751 065  |
| WEWELER | US 06316 |



Product Explanation | Complete Plastic Piston

Pallet Quantity : 28

Product Weight : 6,60 Kg.

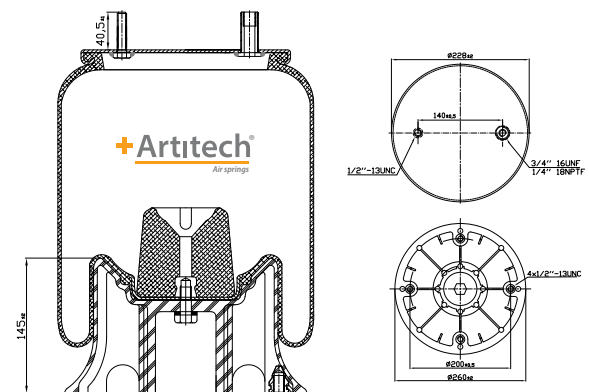
CODE  
**A4.4159.CP13**

CROSS REFERENCES

|           |               |
|-----------|---------------|
| CONTITECH | 4159 N P13    |
| CONTITECH | 9 10-19 P 326 |
| FIRESTONE | 1T15M-9       |
| FIRESTONE | W01 358 9192  |
| GOODYEAR  | 1R12-167      |
| TAURUS    | 6364          |
| TRIANGLE  | 8326          |

OEM PART NO

|                      |                   |
|----------------------|-------------------|
| HENDRICKSON          | NA 1817           |
| HENDRICKSON          | S 6195            |
| LOADGUARD            | SC 2120           |
| NAVISTAR / FLEETRITE | 1681738C1         |
| NAVISTAR / FLEETRITE | 1681740C1         |
| SAF HOLLAND          | 90557086          |
| SAF HOLLAND          | 90557108          |
| SAF HOLLAND          | 90557135          |
| SAF HOLLAND          | 90557136          |
| WATSON & CHALIN      | AS-0038 & AS-0046 |



Product Explanation | Complete Plastic Piston

Pallet Quantity : 28

Product Weight : 7,30 Kg.

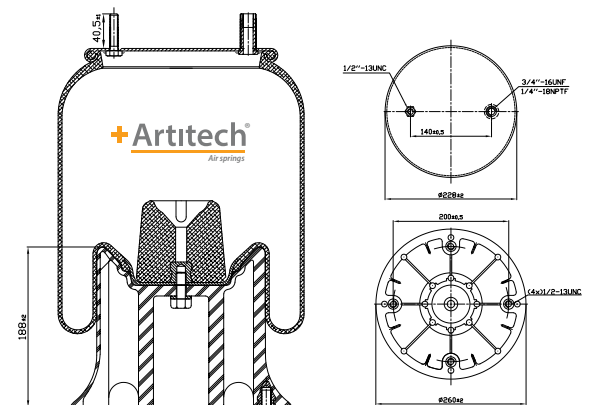
CODE  
**A4.4159.CP12**

CROSS REFERENCES

|           |               |
|-----------|---------------|
| CONTITECH | 4159 N P12    |
| CONTITECH | 9 10-19 P 315 |
| FIRESTONE | 1T15M-9       |
| FIRESTONE | W01 358 9101  |
| GOODYEAR  | 1R12-717      |
| TAURUS    | 6364          |
| TRIANGLE  | 8315          |

OEM PART NO

|                      |             |
|----------------------|-------------|
| DAYTON               | 352-9101    |
| HENDRICKSON          | B 3842      |
| LOADGUARD            | SA 2038     |
| NAVISTAR / FLEETRITE | 554768C1    |
| REYCO                | 12883-01    |
| RIDEWELL             | 1003589101C |
| RIDEWELL             | S-5828-C    |
| RIDEWELL             | S-740-C     |
| VOLVO                | 85101149    |
| WATSON & CHALIN      | AS-0040     |



Product Explanation | Complete Plastic Piston

Pallet Quantity : 28

Product Weight : 7 Kg.



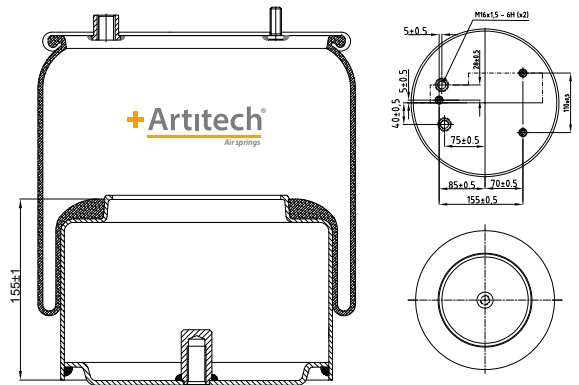
CODE  
**A4.836.C50**

CROSS REFERENCES

|                         |                 |
|-------------------------|-----------------|
| BLACKTECH               | RML7947-2C1     |
| CONTITECH               | 836 M2 K1       |
| DUNLOP F                | D13B31          |
| FIRESTONE NO.           | W01-M58-8721    |
| FIRESTONE STYLE         | 1T17AR-45       |
| GART NO.                | 302.1375/2      |
| GART REF.               | C302            |
| GOODYEAR                | 1R12-711        |
| GOODYEAR FLEX NO.       | 566-24-3-500    |
| NEOTEC                  | ABM 507 31 C 01 |
| PHOENIX                 | 1 DF 25-13      |
| PRIMERIDE               | 5836 A2 P01     |
| PRIME-RIDE NEW          | 1R12-711        |
| PRIME-RIDE NEW FLEX NO. | 566-24-3-500    |
| SPRINGRIDE              | 1R12-711        |
| SPRINGRIDE FLEX         | 566-24-3-500    |
| TAURUS                  | KR721-03        |
| VIBRACOUSTIC            | V1DF25-13       |

OEM PART NO

DAF 0 388 167



Product Explanation | Complete Plastic Piston

Pallet Quantity : 36

Product Weight : 9,10 Kg.

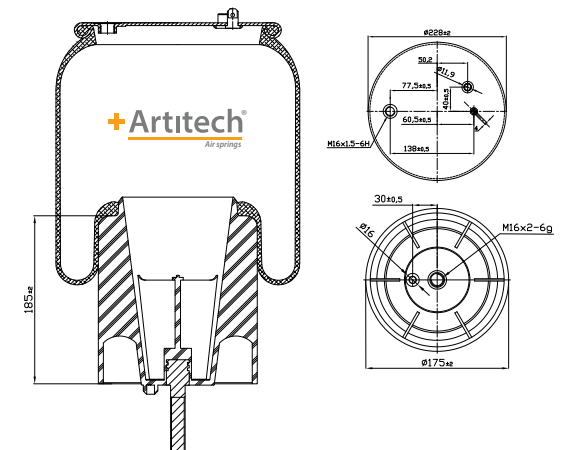
CODE  
**A4.4930.CP**

CROSS REFERENCES

|           |              |
|-----------|--------------|
| FIRESTONE | 1T15UR-9     |
| FIRESTONE | W01 M58 8653 |

OEM PART NO

SCANIA 1434930



Product Explanation | Complete Plastic Piston

Pallet Quantity : 39

Product Weight : 8 Kg.

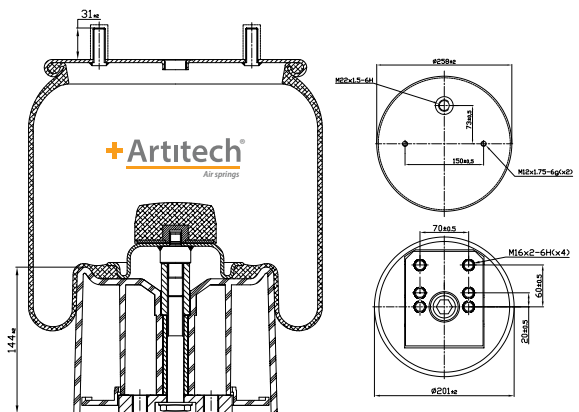
CODE  
**A4.4961.CP**

CROSS REFERENCES

|           |            |
|-----------|------------|
| CONTITECH | 4961 N P03 |
|-----------|------------|

OEM PART NO

BPW 05.429.43.27.0



Product Explanation | Complete Plastic Piston

Pallet Quantity : 28

Product Weight : 8,50 Kg.

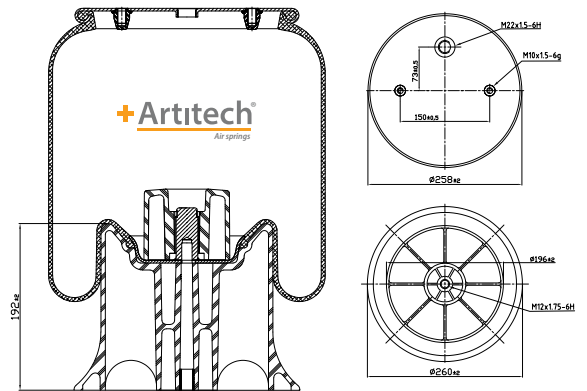
CODE  
**A4.4157.CP06**

CROSS REFERENCES

|           |              |
|-----------|--------------|
| CONTITECH | 4157 N P06   |
| DUNLOP    | D11B37       |
| FIRESTONE | 1T15MPW-7    |
| FIRESTONE | W01 M58 8186 |
| GOODYEAR  | 1R11-764     |
| PHOENIX   | 1DK 20 A-1   |

OEM PART NO

|         |          |
|---------|----------|
| SCHMITZ | 751 065  |
| WEWELER | US 06316 |



Product Explanation | Complete Plastic Piston

Pallet Quantity : 28

Product Weight : 6,60 Kg.

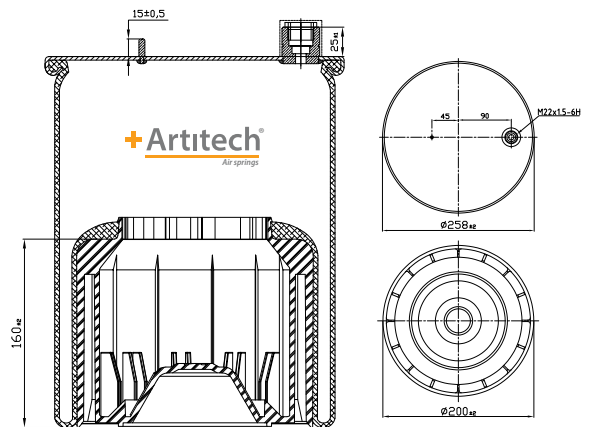
CODE  
**A4.6122.CP06**

CROSS REFERENCES

|           |            |
|-----------|------------|
| CONTITECH | 6122 N P46 |
|-----------|------------|

OEM PART NO

|          |                 |
|----------|-----------------|
| MERCEDES | A 960 320 00 57 |
| MERCEDES | A 960 320 67 57 |
| MERCEDES | A 960 320 70 21 |



Product Explanation | Complete Plastic Piston

Pallet Quantity : 28

Product Weight :5,30 Kg.

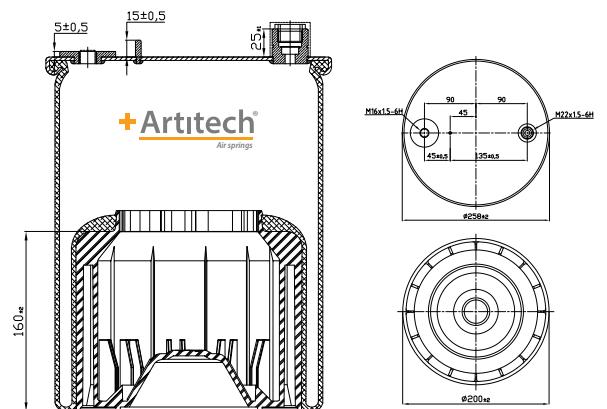
CODE  
**A4.6122.CP07**

CROSS REFERENCES

|           |            |
|-----------|------------|
| CONTITECH | 6122 N P47 |
|-----------|------------|

OEM PART NO

|          |                 |
|----------|-----------------|
| MERCEDES | A 960 320 01 57 |
| MERCEDES | A 960 320 68 57 |
| MERCEDES | A 960 320 77 21 |



Product Explanation | Complete Plastic Piston

Pallet Quantity : 28

Product Weight : 5,65 Kg.

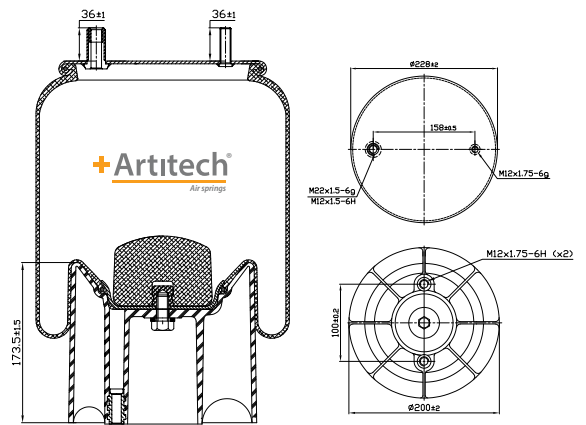
CODE  
**A4.6238.CP**

CROSS REFERENCES

FIRESTONE 1T15MPW-9  
FIRESTONE W01 M58 6238

OEM PART NO

LECINENA US06288F



Product Explanation | Complete Plastic Piston

Pallet Quantity : 28

Product Weight : 6,40 Kg.

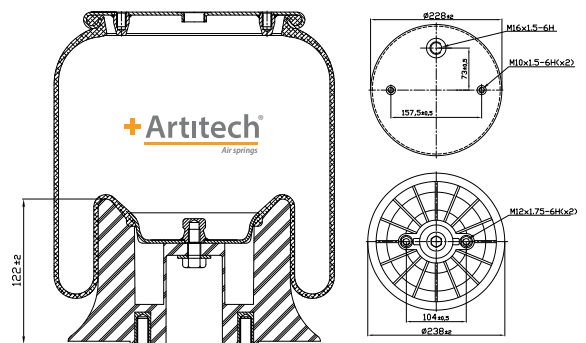
CODE  
**A4.6251.CP**

CROSS REFERENCES

CONTITECH 6705 N P01  
FIRESTONE 1T15LP-3  
FIRESTONE W01 M58 6251  
GOODYEAR 1R11-822  
GOODYEAR 1R11-826  
GOODYEAR 1R11-902

OEM PART NO

SCANIA 1314903  
SCANIA 1402423



Product Explanation | Complete Plastic Piston

Pallet Quantity : 36

Product Weight : 5 Kg.

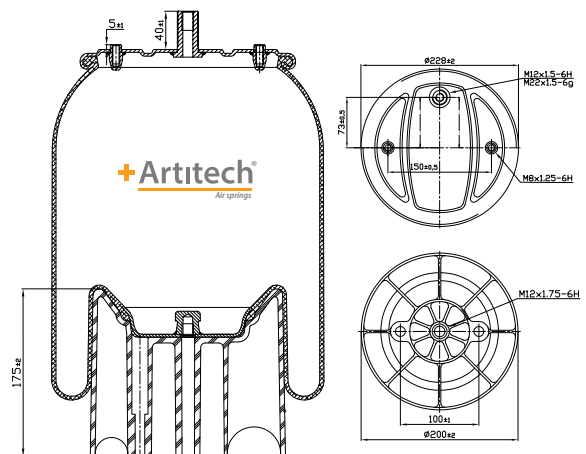
CODE  
**A4.6318.CP**

CROSS REFERENCES

FIRESTONE 1T15MPW-9  
FIRESTONE W01 M58 6318

OEM PART NO

SCHMITZ 016 512  
WEWELER US 06318 F



Product Explanation | Complete Plastic Piston

Pallet Quantity : 30

Product Weight : 6 Kg.

CODE  
**A4.6318.CP01**

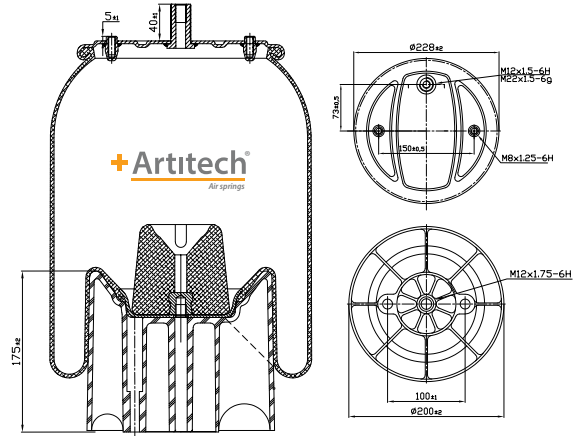
CROSS REFERENCES

FIRESTONE 1T15MPW-9  
FIRESTONE W01 M58 6318

OEM PART NO

SCHMITZ 016 512  
WEWELER US 06318 F

Product Explanation | Complete Plastic Piston



Pallet Quantity : 30

Product Weight : 6,71 Kg.

CODE  
**A4.8608.CP**

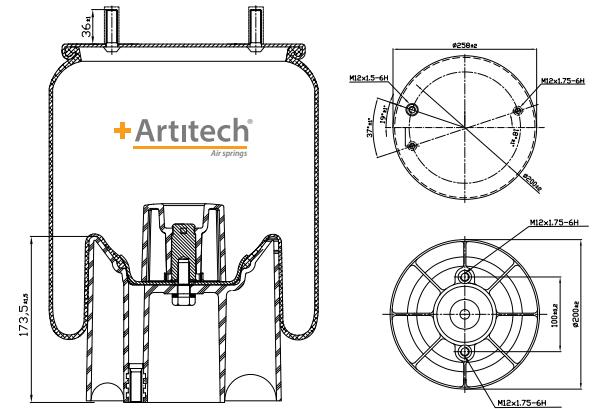
CROSS REFERENCES

FIRESTONE 1T17DJ-7  
FIRESTONE W01 M58 8608

OEM PART NO

MERITOR (ROR) 2122 9214  
MERITOR (ROR) 2122 9626

Product Explanation | Complete Plastic Piston



Pallet Quantity : 28

Product Weight : 6,60 Kg.

CODE  
**A4.8829.CP**

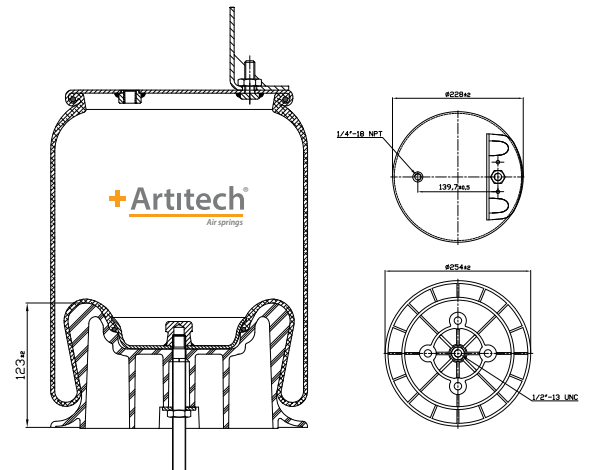
CROSS REFERENCES

CONTITECH 9 10-16 P 499  
FIRESTONE 1T15M-6  
FIRESTONE W01 358 8829  
GOODYEAR 1R12-615

OEM PART NO

VOLVO 3934699  
VOLVO 8079902

Product Explanation | Complete Plastic Piston



Pallet Quantity : 28

Product Weight : 6 Kg.

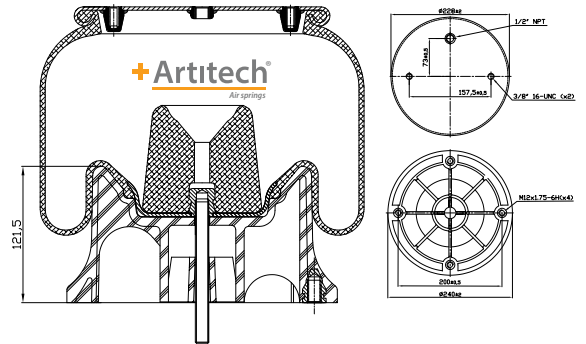
CODE  
**A4.9069.CP**

CROSS REFERENCES

|           |               |
|-----------|---------------|
| CONTITECH | 9 10-14 P 312 |
| FIRESTONE | 1T15M-4       |
| FIRESTONE | W01 358 9069  |
| GOODYEAR  | 1R12-069      |
| TAURUS    | KR 504-9069   |

OEM PART NO

|                  |            |
|------------------|------------|
| BAYTON           | 352-9069   |
| FODEN            | 1300248000 |
| HENDRICKSON      | S 13031    |
| LOADGUARD        | SC 2034    |
| NETAM / FRUEHAUF | ./.        |
| PETERBILT        | 03 7112    |
| PETERBILT        | 03-02456   |
| PETERBILT        | 03-04759   |
| WATSON & CHALIN  | AS-0077    |



Product Explanation | Complete Plastic Piston

Pallet Quantity : 28

Product Weight : 6 Kg.

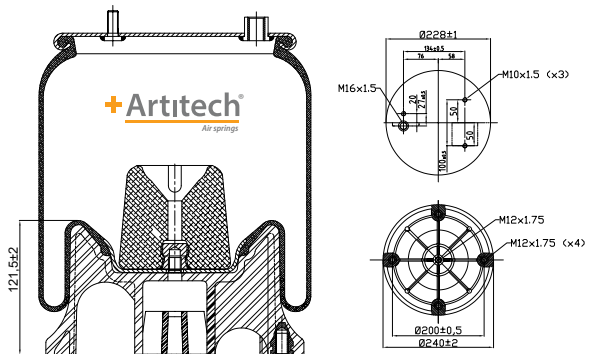
CODE  
**A4.9069.CP50**

CROSS REFERENCES

|           |               |
|-----------|---------------|
| CONTITECH | 4159 N P13    |
| CONTITECH | 9 10-19 P 326 |
| FIRESTONE | 1T15M-9       |
| FIRESTONE | W01 358 9192  |
| GOODYEAR  | 1R12-167      |
| TAURUS    | 6364          |
| TRIANGLE  | 8326          |

OEM PART NO

|                      |                   |
|----------------------|-------------------|
| HENDRICKSON          | NA 1817           |
| HENDRICKSON          | S 6195            |
| LOADGUARD            | SC 2120           |
| NAVISTAR / FLEETRITE | 1681738C1         |
| NAVISTAR / FLEETRITE | 1681740C1         |
| SAF HOLLAND          | 90557086          |
| SAF HOLLAND          | 90557108          |
| SAF HOLLAND          | 90557135          |
| SAF HOLLAND          | 90557136          |
| WATSON & CHALIN      | AS-0038 & AS-0046 |



Product Explanation | Complete Plastic Piston

Pallet Quantity : 28

Product Weight : 6 Kg.

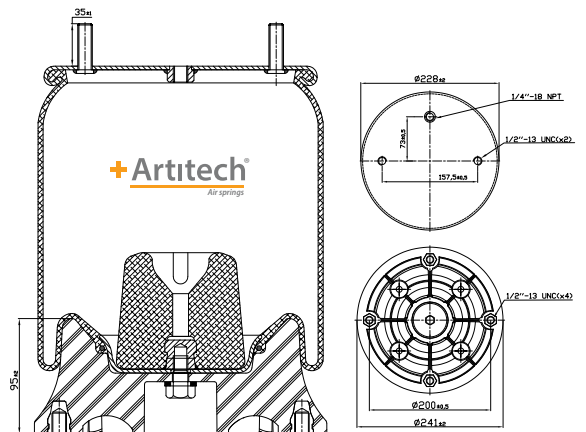
CODE  
**A4.9391.CP**

CROSS REFERENCES

|           |              |
|-----------|--------------|
| FIRESTONE | 1T15L-4      |
| FIRESTONE | W01 358 9391 |

OEM PART NO

|               |                    |
|---------------|--------------------|
| FRUEHAUF      | CF153678           |
| MERITOR (ROR) | 21223269 / MLF7130 |
| SCANIA        | ST10078295         |



Product Explanation | Complete Plastic Piston

Pallet Quantity : 28

Product Weight : 5,8 Kg.

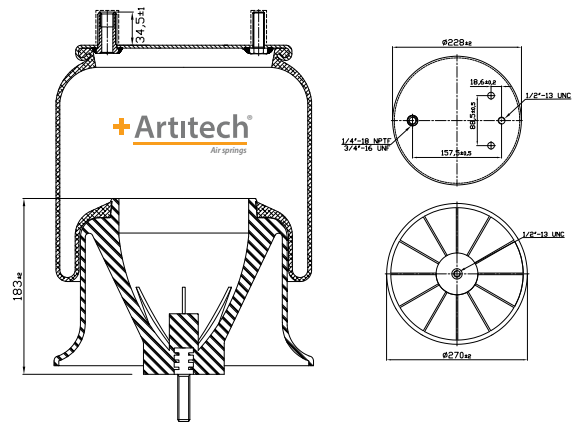
CODE  
**A4.9780.CP**

CROSS REFERENCES

|           |                 |
|-----------|-----------------|
| CONTITECH | 9 10 S-16 P 382 |
| FIRESTONE | 1T15ZR-6        |
| FIRESTONE | W01 358 9780    |
| GOODYEAR  | 1R12-303        |
| TRIANGLE  | 8382P           |

OEM PART NO

|              |              |
|--------------|--------------|
| FREIGHTLINER | 16-13810-000 |
| FREIGHTLINER | 681-320-0017 |



Product Explanation | Complete Plastic Piston

Pallet Quantity : 36

Product Weight : 8,50 Kg.

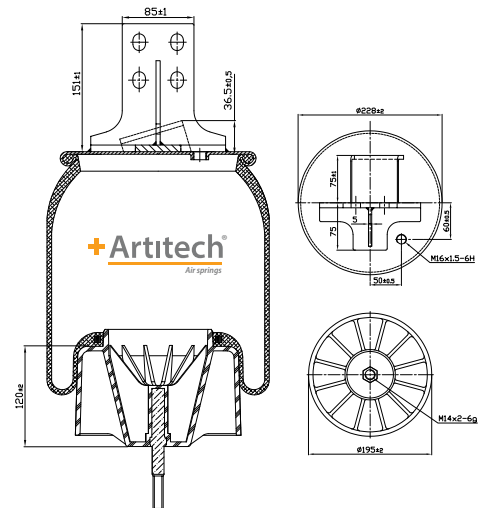
CODE  
**A4.27023.CP01**

CROSS REFERENCES

|          |                       |
|----------|-----------------------|
| CF GOMMA | 1TS 270-23C<br>206685 |
|----------|-----------------------|

OEM PART NO

|       |          |
|-------|----------|
| IVECO | 41270466 |
|-------|----------|



Product Explanation | Complete Plastic Piston

Pallet Quantity : 39

Product Weight : 6,70 Kg.

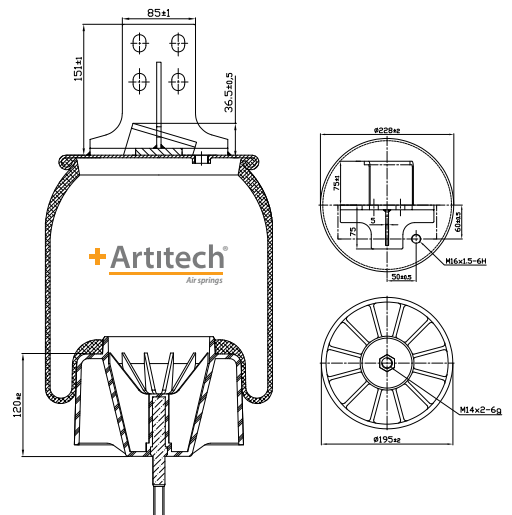
CODE  
**A4.27023.CP02**

CROSS REFERENCES

|          |                    |
|----------|--------------------|
| CF GOMMA | 1TS 270-23C 206684 |
|----------|--------------------|

OEM PART NO

|       |          |
|-------|----------|
| IVECO | 41270466 |
|-------|----------|



Product Explanation | Complete Plastic Piston

Pallet Quantity : 39

Product Weight : 6,70 Kg.

CODE  
**A4.27023.CP03**

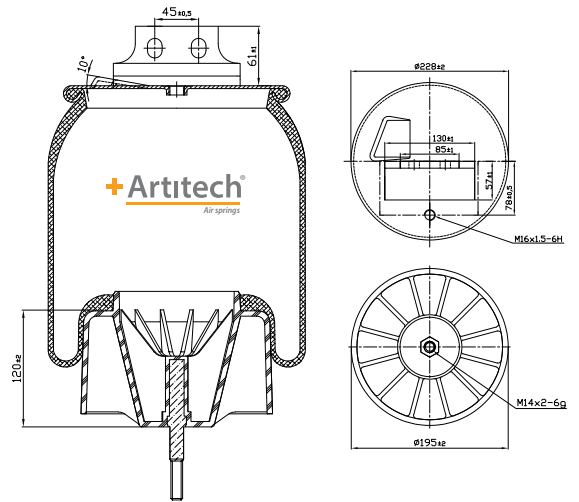
CROSS REFERENCES

CF GOMMA  
1TS 270-23C 206686

OEM PART NO

IVECO 41270462

Product Explanation | Complete Plastic Piston



Pallet Quantity : 39

Product Weight : 5,60 Kg.

CODE  
**A4.27023.CP04**

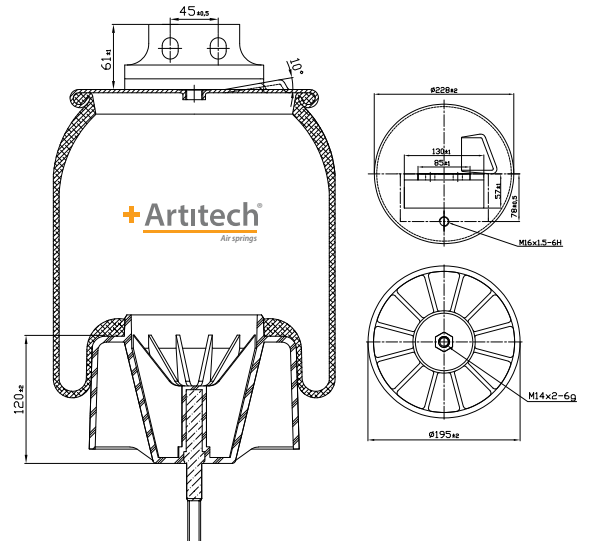
CROSS REFERENCES

CF GOMMA 1TS 270-23C 206687  
FIRESTONE 1T15LNR-4.5  
FIRESTONE W01 M58 8557  
FIRESTONE W01 M58 8662  
PHOENIX 1 DF 20 G-2

OEM PART NO

IVECO 41270463  
IVECO 500042584

Product Explanation | Complete Plastic Piston



Pallet Quantity : 39

Product Weight :5,6 Kg.

# 03

## **SERVICE ASSEMBLY**





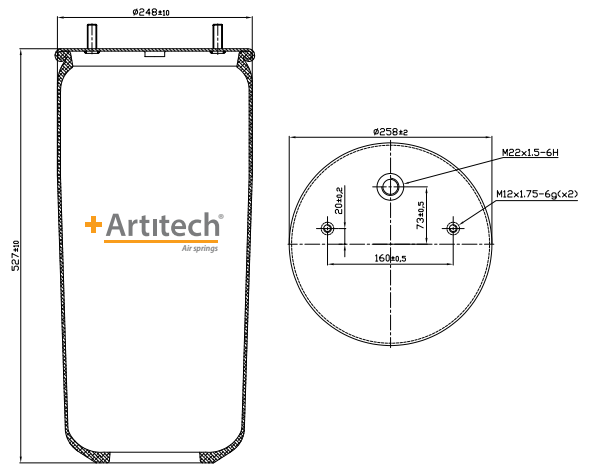
CODE  
**A4.724.S01**

CROSS REFERENCES

CONTITECH 724 NP 01  
GOODYEAR 1R11-711

OEM PART NO

GIGANT 246169  
GIGANT 3053



Product Explanation | Service Assembly

Pallet Quantity : 45

Product Weight : 1,40 Kg.

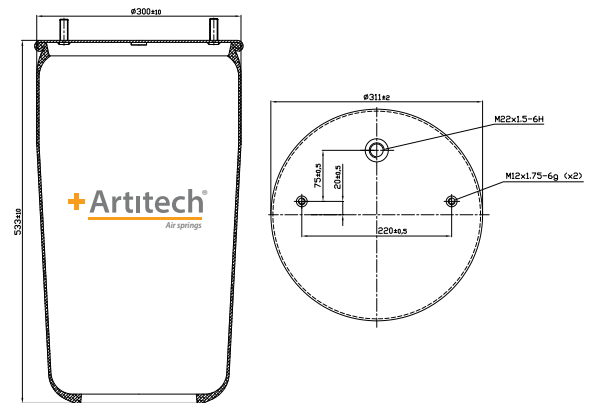
CODE  
**A4.725.S01**

CROSS REFERENCES

CONTITECH 725 N P01  
CF GOMMA 1TC 360-45  
GOODYEAR 1R14-704

OEM PART NO

GIGANT 166217  
GIGANT 246149  
GIGANT 3653



Product Explanation | Service Assembly

Pallet Quantity : 45

Product Weight :1,80 Kg.

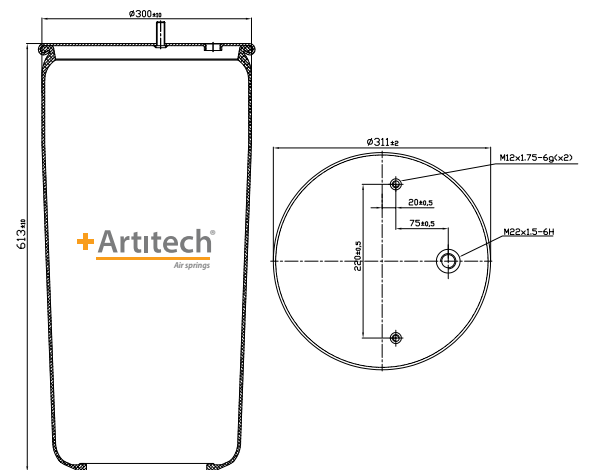
CODE  
**A4.726.S01**

CROSS REFERENCES

CONTITECH 726 N P01  
VIBRACOUSTIC  
V1DF32C-166253

OEM PART NO

GIGANT 246192  
GIGANT 3661-726 N



Product Explanation | Service Assembly

Pallet Quantity : 45

Product Weight :1,80 Kg.

CODE  
**A4.752.S01**

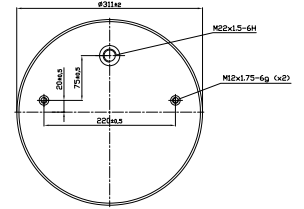
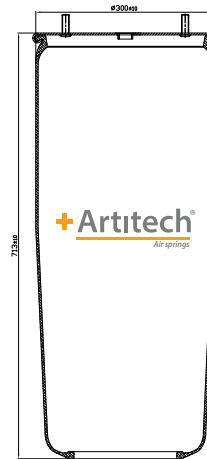
CROSS REFERENCES

CONTITECH 752 N P01  
VIBRACOUSTIC  
V1 DF32-166228

OEM PART NO

GIGANT 247100

Product Explanation | Service Assembly



Pallet Quantity : 45

Product Weight : 1,80 Kg.

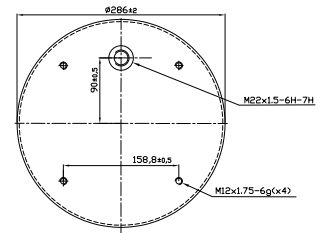
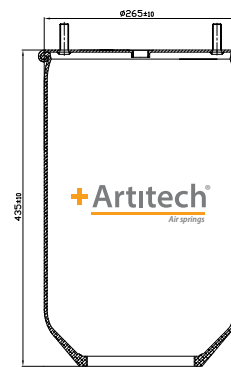
CODE  
**A4.810.S**

CROSS REFERENCES

CONTITECH 810 MB/O  
FIRESTONE 1T19L-7  
FIRESTONE W01 M58 7237

OEM PART NO

Product Explanation | Service Assembly



Pallet Quantity : 45

Product Weight :1,40 Kg.

CODE  
**A4.811.S**

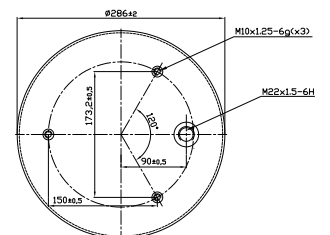
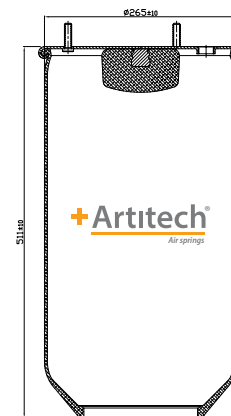
CROSS REFERENCES

CONTITECH 811 MB/O  
CF GOMMA 1T19 E-2  
PHOENIX 1D 28 B-2  
FIRESTONE W01 M58 6359  
TAURUS K 622-26 SM  
DUNLOP SP 2066  
FIRESTONE 1T19F-11

OEM PART NO

DAF 0 526 823  
EVOBUS 4 731 029 000  
DAF 0 067 306

Product Explanation | Service Assembly



Pallet Quantity : 45

Product Weight :1,25 Kg.

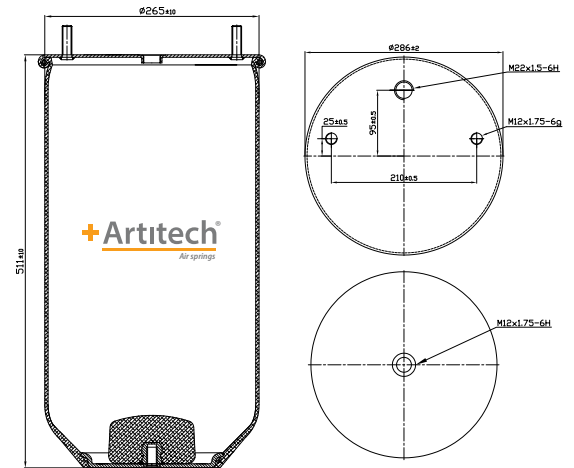
CODE  
**A4.811.S1**

CROSS REFERENCES

CONTITECH 811 M

OEM PART NO

DAF 0 067 306  
DAF 0 676 122



Product Explanation | Service Assembly

Pallet Quantity : 45

Product Weight : 1,40 Kg.

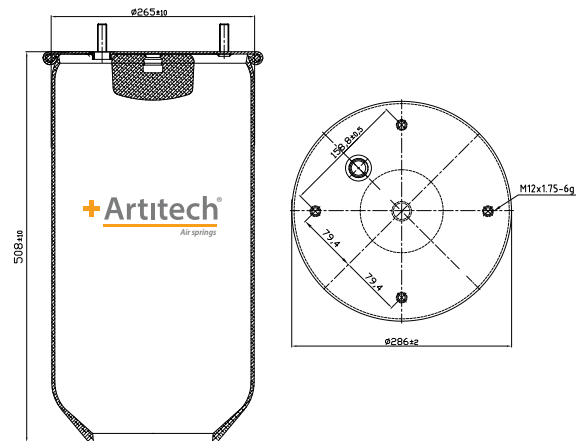
CODE  
**A4.813.S**

CROSS REFERENCES

CONTITECH 813 MB/0  
FIRESTONE 1T19L-11  
FIRESTONE W01 M58 7238

OEM PART NO

ROR ./.  
SAF HOLLAND ./.



Product Explanation | Service Assembly

Pallet Quantity : 45

Product Weight :1,80 Kg.

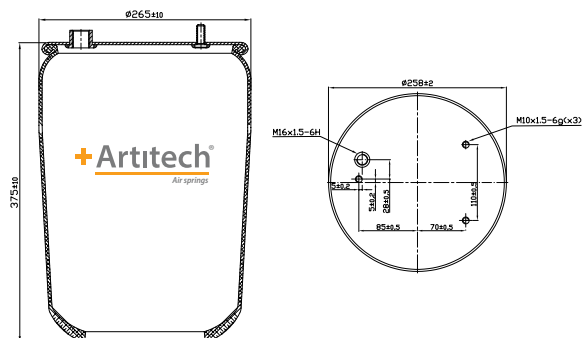
CODE  
**A4.836.S**

CROSS REFERENCES

CONTITECH 836 M  
GOODYEAR 1R12-700  
FIRESTONE 1T17AR-4.5  
FIRESTONE W01 M58 0776

OEM PART NO

DAF 0 067 504



Product Explanation | Service Assembly

Pallet Quantity : 45

Product Weight :1,80 Kg.

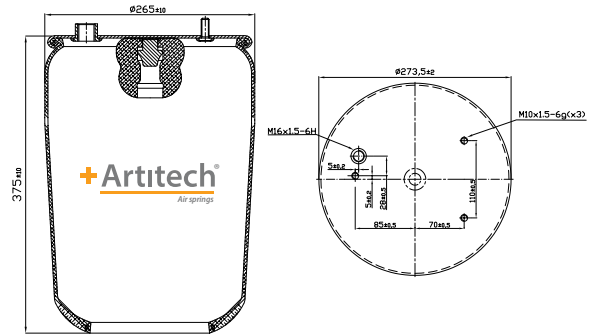
CODE  
**A4.836.S1**

CROSS REFERENCES

CONTITECH 836 MB

OEM PART NO

VDL BUS 0 513 985



Product Explanation | Service Assembly

Pallet Quantity : 45

Product Weight : 1,80 Kg.

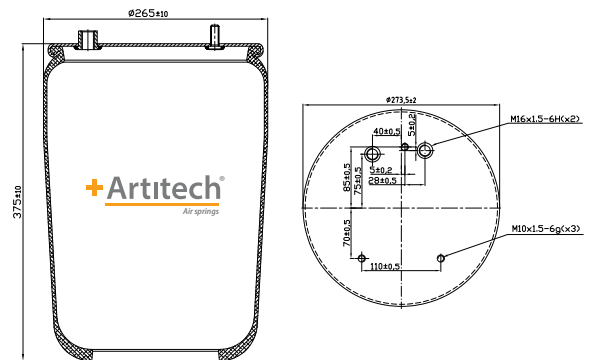
CODE  
**A4.836.S2**

CROSS REFERENCES

CONTITECH 836 M2  
GOODYEAR 1R12-710  
FIRESTONE 1T17AR-4.5  
FIRESTONE W01 M58 0777

OEM PART NO

DAF 0 513 982



Product Explanation | Service Assembly

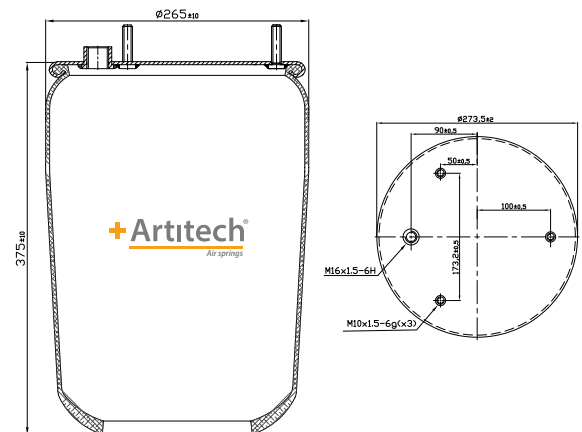
Pallet Quantity : 45

Product Weight :1,40 Kg.

CODE  
**A4.836.S11**

CROSS REFERENCES

OEM PART NO



Product Explanation | Service Assembly

Pallet Quantity : 45

Product Weight :1,25 Kg.

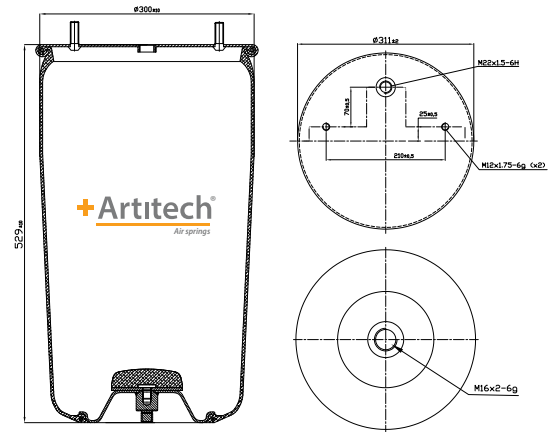
CODE  
**A4.881.S**

CROSS REFERENCES

|           |              |
|-----------|--------------|
| CONTITECH | 881 MB       |
| DUNLOP    | D14U36       |
| FIRESTONE | 1T66F-10.8   |
| GOODYEAR  | 1R14-708     |
| PHOENIX   | 1DK 32-1/36  |
| TAURUS    | UR 836-01 T  |
| FIRESTONE | W01 M58 8978 |

OEM PART NO

BPW 05 429 40 01 0



Product Explanation | Service Assembly

Pallet Quantity : 45

Product Weight : 1,40 Kg.

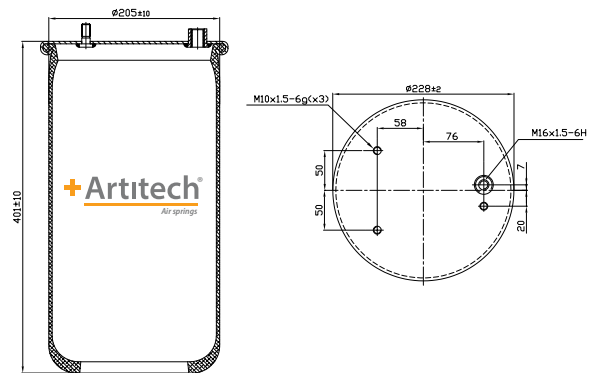
CODE  
**A4.887.S**

CROSS REFERENCES

|           |            |
|-----------|------------|
| CONTITECH | 725 N P01  |
| CF GOMMA  | 1TC 360-45 |
| GOODYEAR  | 1R14-704   |

OEM PART NO

DAF 0 513 983  
VDL BUS 0 513 983



Product Explanation | Service Assembly

Pallet Quantity : 45

Product Weight :1,80 Kg.

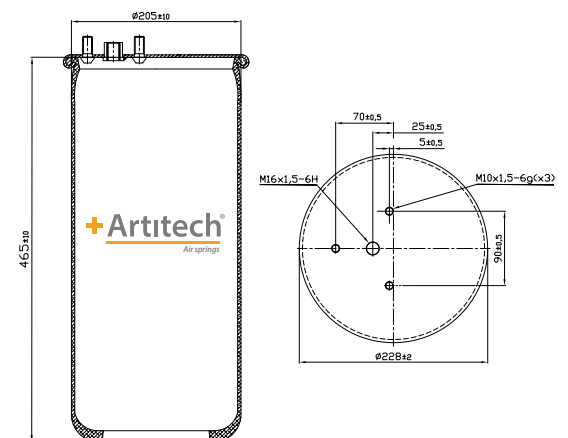
CODE  
**A4.889.S**

CROSS REFERENCES

|           |       |
|-----------|-------|
| CONTITECH | 889 M |
|-----------|-------|

OEM PART NO

DAF 1 276 846



Product Explanation | Service Assembly

Pallet Quantity : 45

Product Weight :1,80 Kg.

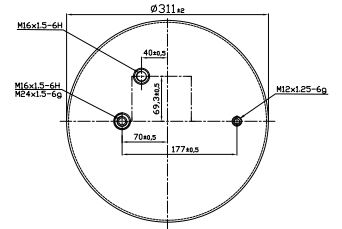
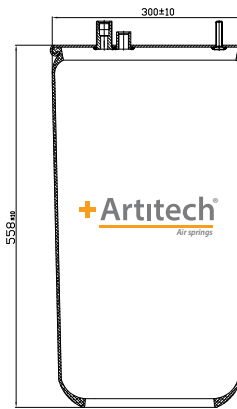
CODE  
**A4.901.S**

CROSS REFERENCES

CONTITECH 901 MB

OEM PART NO

RENAULT RVI 5010 052 722  
RENAULT RVI 5010 130 683



Product Explanation | Service Assembly

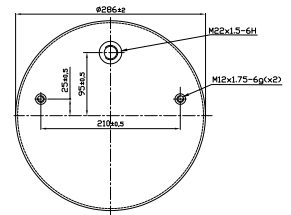
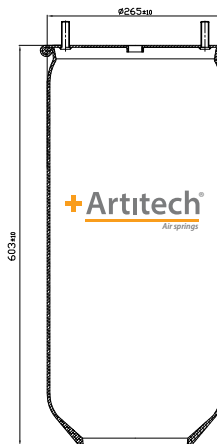
Pallet Quantity : 45

Product Weight : 1,80 Kg.

CODE  
**A4.912.S01**

CROSS REFERENCES

OEM PART NO



Product Explanation | Service Assembly

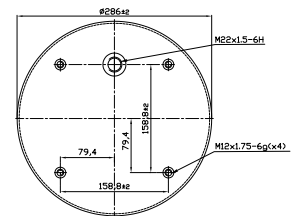
Pallet Quantity : 45

Product Weight :1,40 Kg.

CODE  
**A4.912.S02**

CROSS REFERENCES

OEM PART NO



Product Explanation | Service Assembly

Pallet Quantity : 45

Product Weight :1,25 Kg.

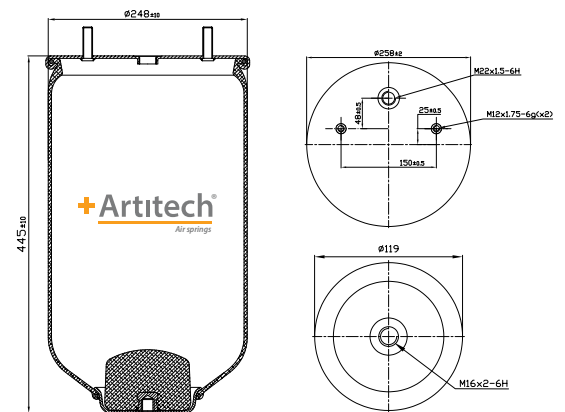
CODE  
**A4.940.S**

CROSS REFERENCES

|            |                   |
|------------|-------------------|
| CONTITECH  | 940 MB            |
| CF GOMMA   | 1TC 300-30 205536 |
| GOODYEAR   | 1R11-703          |
| PHOENIX    | 1DK 21K           |
| SPRINGRIDE | D11U31            |
| TAURUS UR  | 732-01 T          |
| FIRESTONE  | 1T17D-4,3         |
| FIRESTONE  | W01 M58 8613"     |

OEM PART NO

BPW 05 429 40 91 0



Product Explanation | Service Assembly

Pallet Quantity : 45

Product Weight : 1,40 Kg.

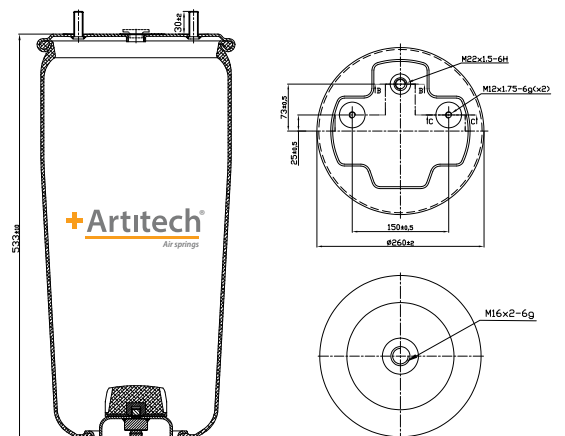
CODE  
**A4.941.S**

CROSS REFERENCES

|            |                   |
|------------|-------------------|
| CONTITECH  | 941 MB            |
| CF GOMMA   | 1TC 300-36 204466 |
| PHOENIX    | 1DK 21            |
| SPRINGRIDE | D11U30            |
| TAURUS UR  | 730-01 T          |
| FIRESTONE  | 1T17D-8.3         |
| GOODYEAR   | 1R11-700          |
| FIRESTONE  | W01 M58 8620      |

OEM PART NO

BPW 05 429 40 03 0



Product Explanation | Service Assembly

Pallet Quantity : 45

Product Weight :1,80 Kg.

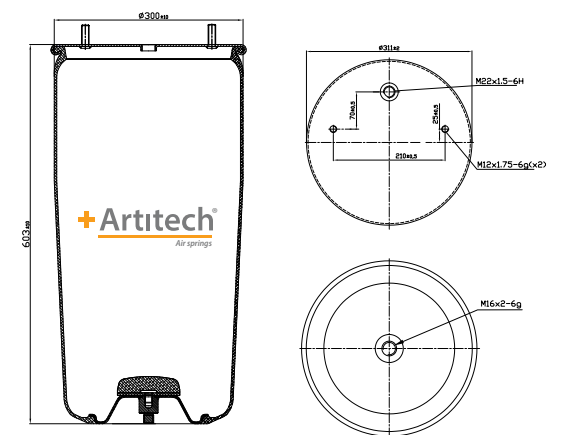
CODE  
**A4.942.S**

CROSS REFERENCES

|           |              |
|-----------|--------------|
| CONTITECH | 942 MB       |
| GOODYEAR  | 1R14-700     |
| PHOENIX   | 1DK 32-1     |
| FIRESTONE | 1T66F-13.5   |
| FIRESTONE | W01 M58 8611 |
| TAURUS    | UR 837-01    |

OEM PART NO

BPW 05 429 40 05 0



Product Explanation | Service Assembly

Pallet Quantity : 45

Product Weight :1,80 Kg.

CODE  
**A4.951.S**

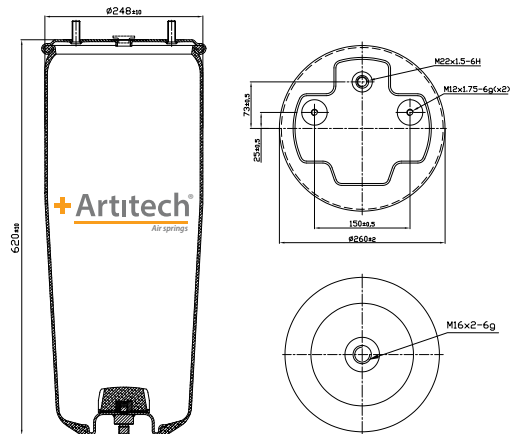
CROSS REFERENCES

CONTITECH 951 MB

OEM PART NO

BPW 05.429.40.720

Product Explanation | Service Assembly



Pallet Quantity : 45

Product Weight : 1,80 Kg.

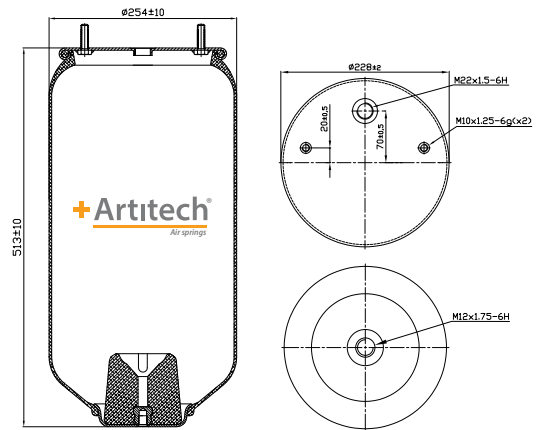
CODE  
**A4.1210.S**

CROSS REFERENCES

CF GOMMA  
1T 323-40 96864

OEM PART NO

Product Explanation | Service Assembly



Pallet Quantity : 45

Product Weight :1,40 Kg.

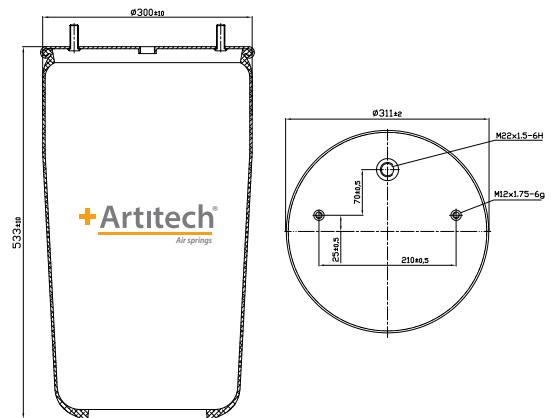
CODE  
**A4.2725.S**

CROSS REFERENCES

AIRTECH 32725 P

OEM PART NO

Product Explanation | Service Assembly



Pallet Quantity : 45

Product Weight :1,25 Kg.



CODE  
**A4.3053.S**

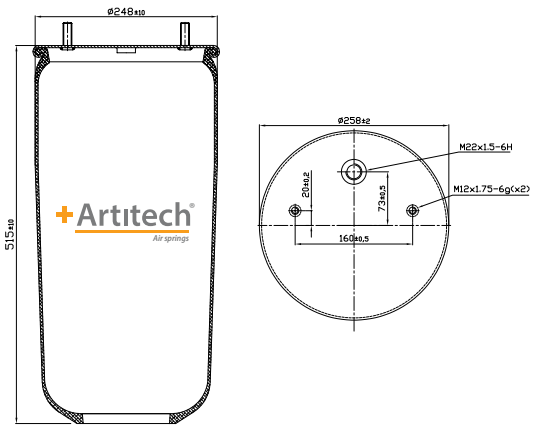
CROSS REFERENCES

VIBRACOUSTIC V1DF 21

OEM PART NO

GIGANT 3053  
GIGANT 00246169

Product Explanation | Service Assembly



Pallet Quantity : 45

Product Weight : 1,40 Kg.

CODE  
**A4.3138.S**

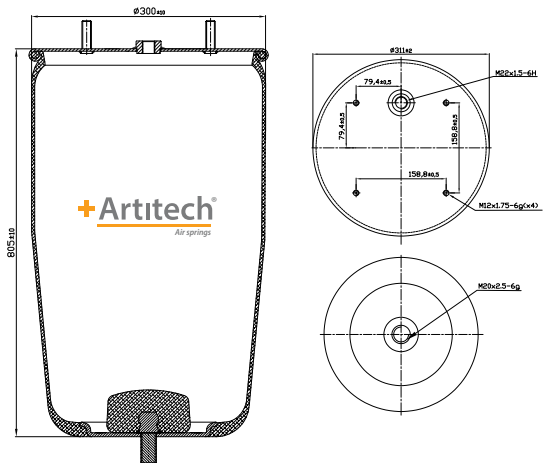
CROSS REFERENCES

CONTITECH 3138 N P01  
VIBRACOUSTIC V1DK33-3138  
CF GOMMA TC360-59 202560

OEM PART NO

SAF HOLLAND 4.284.3004.00  
SAF HOLLAND 3.228.0048.00  
SAF HOLLAND 3.228.0049.00  
SAF HOLLAND 3.228.0050.00  
SAF HOLLAND 3.228.0019.00  
SAF HOLLAND 3.228.0022.00  
SAF HOLLAND 3.228.0023.00  
SAF HOLLAND 3138 SERVASSY.

Product Explanation | Service Assembly



Pallet Quantity : 45

Product Weight : 1,80 Kg.

CODE  
**A4.3452.S01**

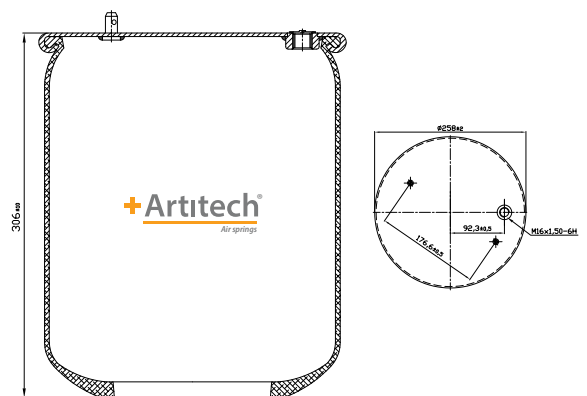
CROSS REFERENCES

CONTITECH 6620 N P01  
PHOENIX 1 DF 25 C-1 NP  
GOODYEAR 1R12-826  
GOODYEAR 1R12-824  
GOODYEAR 1R12-857

OEM PART NO

VOLVO 21 513 836  
(MODEL B7RLE/ B9LE/ B9RLE/  
B9S/ B9T)

Product Explanation | Service Assembly



Pallet Quantity : 45

Product Weight : 1,80 Kg.

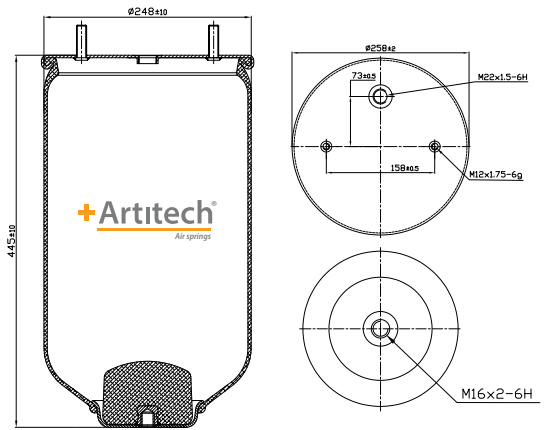
CODE  
**A4.4004.S02**

CROSS REFERENCES

|            |              |
|------------|--------------|
| CONTITECH  | 4004 N P02   |
| CF GOMMA   | 1T 300-37    |
| FIRESTONE  | 1T17BS-6     |
| GART D278S | 278.4.451    |
| GOODYEAR   | 1R11-705     |
| PHOENIX    | 1DK22 E-8 NP |
| SPRINGRIDE | D12U13       |
| FIRESTONE  | W01 M58 0919 |

OEM PART NO

|             |               |
|-------------|---------------|
| SAF HOLLAND | 4.284.3003.01 |
|-------------|---------------|



Product Explanation | Service Assembly

Pallet Quantity : 45

Product Weight : 1,80 Kg.

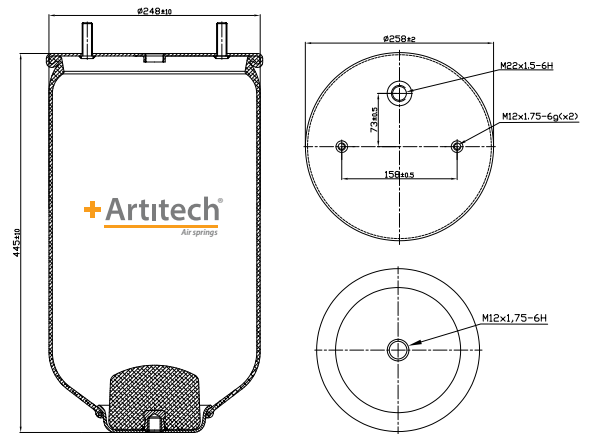
CODE  
**A4.4004.S05**

CROSS REFERENCES

|           |                                |
|-----------|--------------------------------|
| CONTITECH | 4004 N P05<br>(WITHOUT PISTON) |
| AIRTECH   | 34004-05 P                     |

OEM PART NO

|     |              |
|-----|--------------|
| SAF | 3.229.007.00 |
|-----|--------------|



Product Explanation | Service Assembly

Pallet Quantity : 45

Product Weight :1,40 Kg.

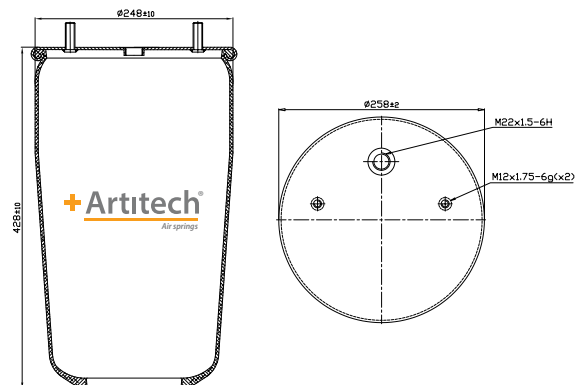
CODE  
**A4.4007.S01**

CROSS REFERENCES

|           |            |
|-----------|------------|
| CONTITECH | 4007 N P01 |
|-----------|------------|

OEM PART NO

|        |              |
|--------|--------------|
| GIGANT | 166271       |
| GIGANT | 274104, 3042 |



Product Explanation | Service Assembly

Pallet Quantity : 45

Product Weight :1,25 Kg.

CODE  
**A4.4022.S02**

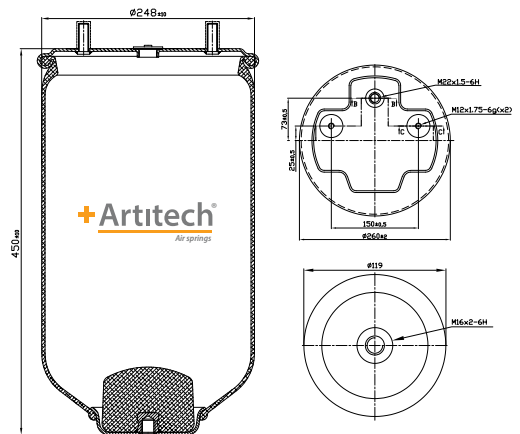
CROSS REFERENCES

|              |               |
|--------------|---------------|
| FIRESTONE    | 1T17BS-6      |
| GART D278S   | 278.0.452     |
| GOODYEAR     | 1R11-709      |
| PHOENIX      | 1DK22 E-9 NP  |
| SPRINGRIDE   | D11U40        |
| VIBRACOUSTIC | V1DK22 E-9 NP |
| FIRESTONE    | W01 M58 0756  |
| CONTITECH    | 4022 N P02"   |

OEM PART NO

|             |               |
|-------------|---------------|
| SAF HOLLAND | 4.284.3006.00 |
|-------------|---------------|

Product Explanation | Service Assembly



Pallet Quantity : 45

Product Weight : 1,40 Kg.

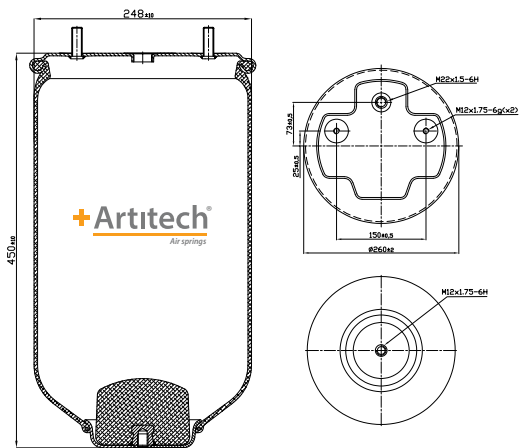
CODE  
**A4.4022.S05**

CROSS REFERENCES

|               |                             |
|---------------|-----------------------------|
| CONTITECH     | 4022 N P05 (WITHOUT PISTON) |
| PHOENIX       | 1 DK 22 E-11                |
| FIRESTONE     | 1T17BS-6                    |
| FIRESTONE     | W01-M58-8612                |
| GOODYEAR      | 1R11-781                    |
| GOODYEAR      | 566-22-3-526                |
| VIBRACOUSTIC  | V 1 DK 22 E-10              |
| CF GOMMA      | 1T300-37/206585             |
| GART          | 278.1455/D278/S             |
| BLACKTECH RML | 75133 CP5                   |
| AIRTECH       | 32619 P                     |

OEM PART NO

Product Explanation | Service Assembly



Pallet Quantity : 45

Product Weight :1,80 Kg.

CODE  
**A4.4023.S**

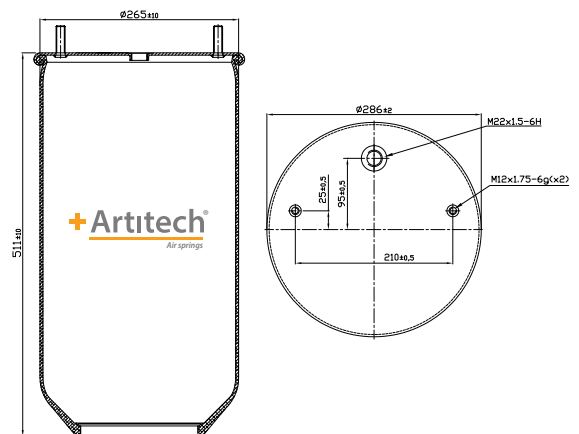
CROSS REFERENCES

|           |              |
|-----------|--------------|
| CONTITECH | 4023 N P06   |
| FIRESTONE | 1T19L-11     |
| PHOENIX   | 1D28 B-10    |
| FIRESTONE | W01 M58 6335 |

OEM PART NO

|                  |             |
|------------------|-------------|
| SAF              | .229.031.00 |
| SAF              | 2923 V      |
| SERVICE ASSEMBLY |             |

Product Explanation | Service Assembly



Pallet Quantity : 45

Product Weight :1,80 Kg.

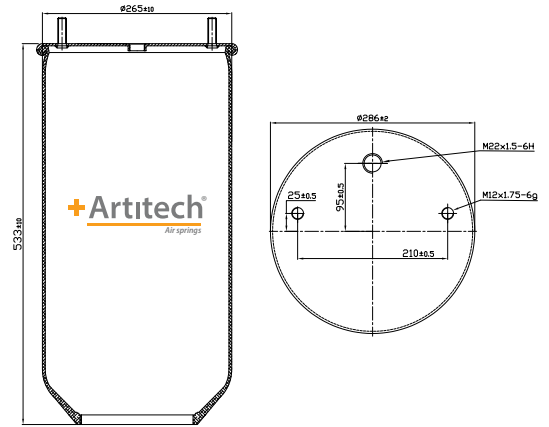
CODE  
**A4.4028.S**

CROSS REFERENCES

CONTITECH 4028 N

OEM PART NO

SCHMITZ 015 323  
WEWELER US 04028



Product Explanation | Service Assembly

Pallet Quantity : 45

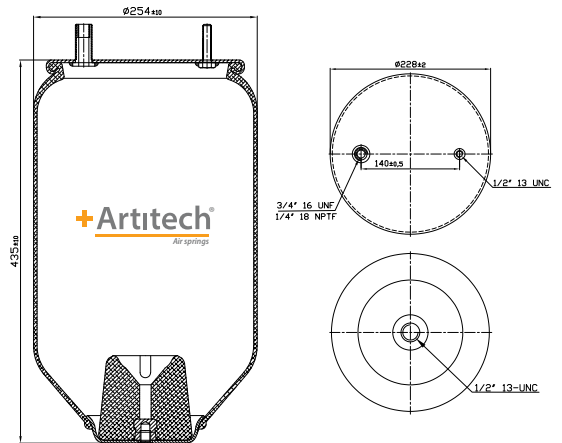
Product Weight : 1,80 Kg.

CODE  
**A4.4156.S01**

CROSS REFERENCES

CONTITECH 4156 N P01

OEM PART NO



Product Explanation | Service Assembly

Pallet Quantity : 45

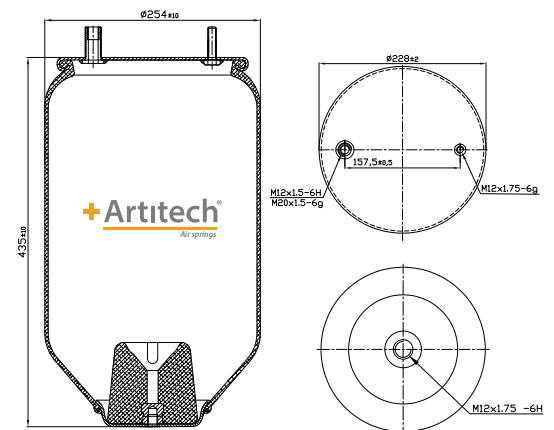
Product Weight :1,40 Kg.

CODE  
**A4.4156.S05**

CROSS REFERENCES

CONTITECH 4156 N P05

OEM PART NO



Product Explanation | Service Assembly

Pallet Quantity : 45

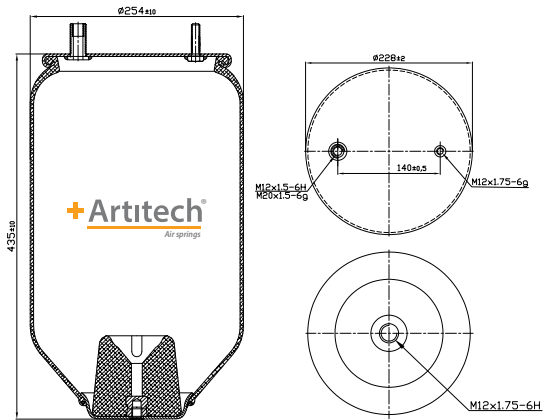
Product Weight :1,25 Kg.

CODE  
**A4.4156.S06**

CROSS REFERENCES

OEM PART NO

Product Explanation | Service Assembly



Pallet Quantity : 45

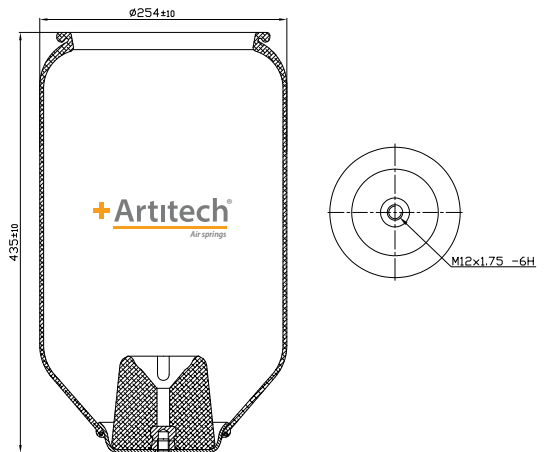
Product Weight : 1,40 Kg.

CODE  
**A4.4156.S12**

CROSS REFERENCES

OEM PART NO

Product Explanation | Service Assembly



Pallet Quantity : 45

Product Weight :1,80 Kg.

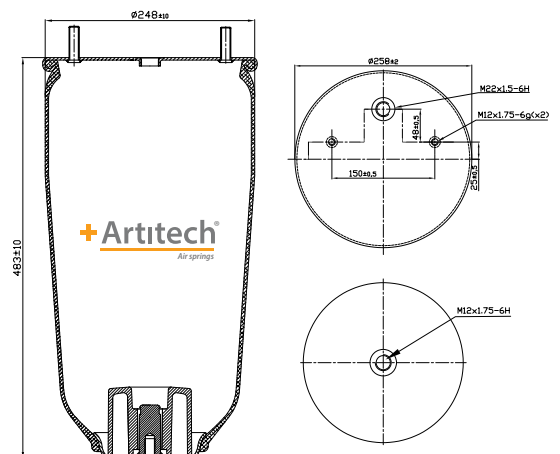
CODE  
**A4.4157.S**

CROSS REFERENCES

CONTITECH 4157 N P03  
(WITHOUT PISTON)  
GOODYEAR 1R11-881  
GOODYEAR 566-22-3-521

OEM PART NO

Product Explanation | Service Assembly



Pallet Quantity : 45

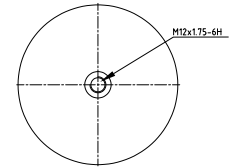
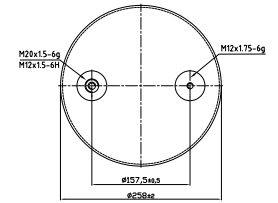
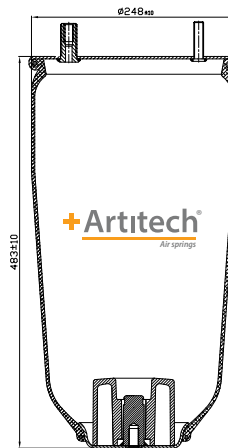
Product Weight :1,80 Kg.

CODE  
**A4.4157.S01**

CROSS REFERENCES

OEM PART NO

Product Explanation | Service Assembly



Pallet Quantity : 45

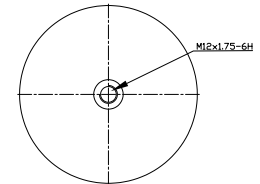
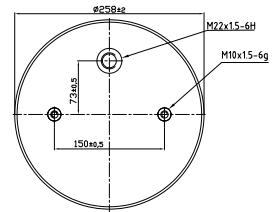
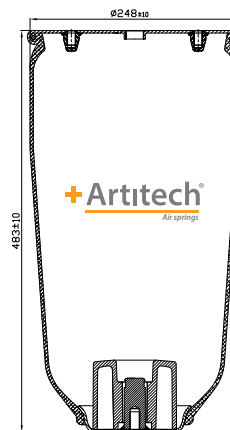
Product Weight : 1,80 Kg.

CODE  
**A4.4157.S06**

CROSS REFERENCES

OEM PART NO

Product Explanation | Service Assembly



Pallet Quantity : 45

Product Weight :1,40 Kg.

CODE  
**A4.4158.S02**

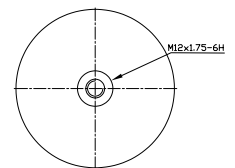
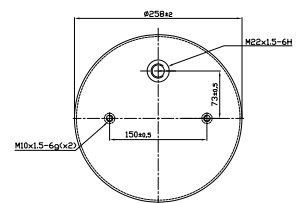
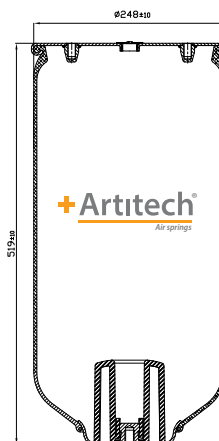
CROSS REFERENCES

OEM PART NO

|           |               |
|-----------|---------------|
| CONTITECH | 4158 N P02    |
| DUNLOP    | D12B23        |
| FIRESTONE | 1T15MPW-9     |
| GOODYEAR  | 1R12-748      |
| PHOENIX   | 1DK 20 B-1 NP |
| FIRESTONE | W01 M58 6257  |

|         |          |
|---------|----------|
| WEWELER | US 06285 |
| SCHMITZ | 750 999  |

Product Explanation | Service Assembly



Pallet Quantity : 45

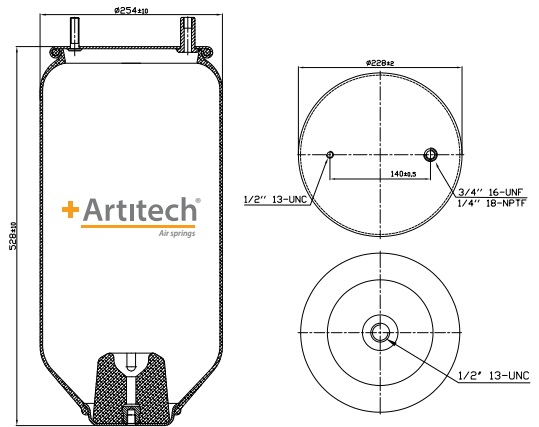
Product Weight :1,25 Kg.

CODE  
**A4.4159.S01**

CROSS REFERENCES

CONTITECH 4159 N P01  
CF GOMMA 1T 323-40  
GOODYEAR 1R12-113

OEM PART NO



Product Explanation | Service Assembly

Pallet Quantity : 45

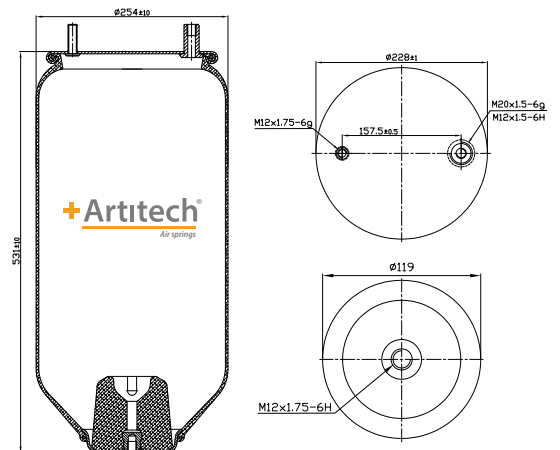
Product Weight : 1,40 Kg.

CODE  
**A4.4159.S05**

CROSS REFERENCES

CONTITECH 4159 N P05  
CF GOMMA 1T 323-40  
FIRESTONE 1T15M-9  
FIRESTONE W01 M58 0736  
DUNLOP D12U04  
GOODYEAR 1R12-761  
PHOENIX 1DK21 B-5 NP

OEM PART NO



Product Explanation | Service Assembly

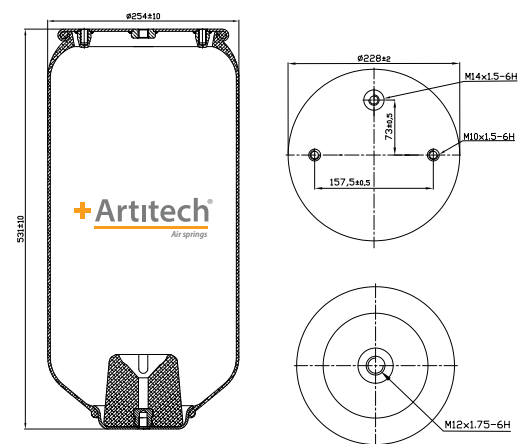
Pallet Quantity : 45

Product Weight : 1,80 Kg.

CODE  
**A4.4159.S10**

CROSS REFERENCES

OEM PART NO



Product Explanation | Service Assembly

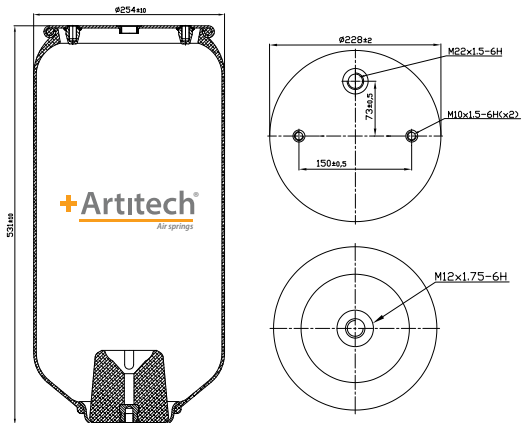
Pallet Quantity : 45

Product Weight : 1,80 Kg.

CODE  
**A4.4159.S11**

CROSS REFERENCES

OEM PART NO



Product Explanation | Service Assembly

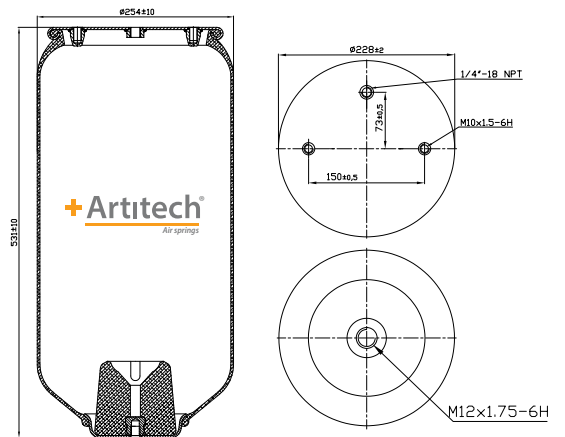
Pallet Quantity : 45

Product Weight : 1,80 Kg.

CODE  
**A4.4159.S12**

CROSS REFERENCES

OEM PART NO



Product Explanation | Service Assembly

Pallet Quantity : 45

Product Weight :1,40 Kg.

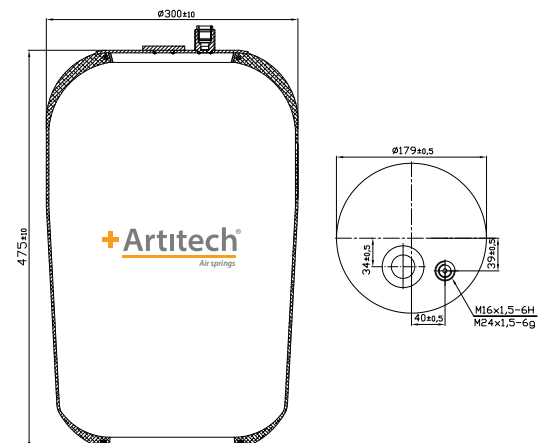
CODE  
**A4.4183.S01**

CROSS REFERENCES

CONTITECH 4183 N2

OEM PART NO

MERCEDES



Product Explanation | Service Assembly

Pallet Quantity : 45

Product Weight :1,25 Kg.



CODE  
**A4.4185.S01**

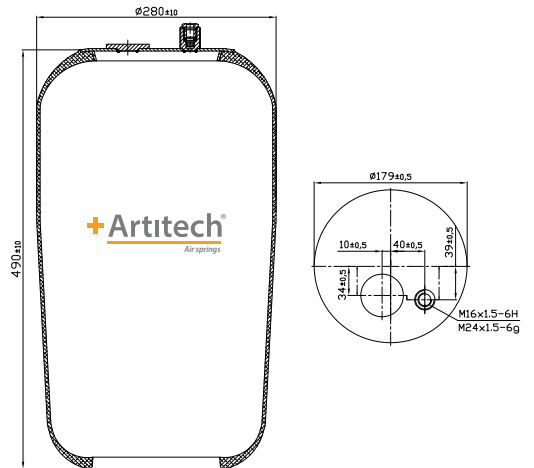
CROSS REFERENCES

CONTITECH 4185 N

OEM PART NO

MERCEDES A 974 328 0201

Product Explanation | Service Assembly



Pallet Quantity : 45

Product Weight : 1,40 Kg.

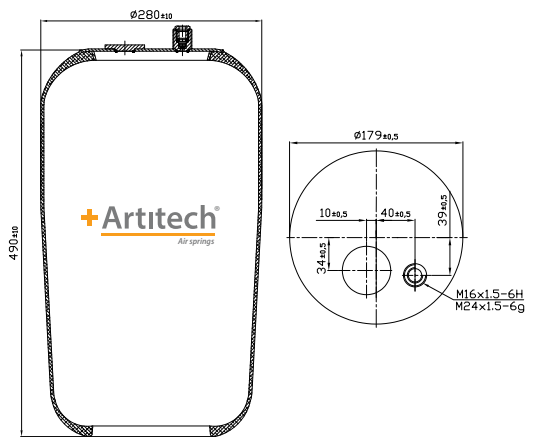
CODE  
**A4.4185.S02**

CROSS REFERENCES

CONTITECH 4185 N

OEM PART NO

Product Explanation | Service Assembly



Pallet Quantity : 45

Product Weight :1,80 Kg.

CODE  
**A4.4187.S01**

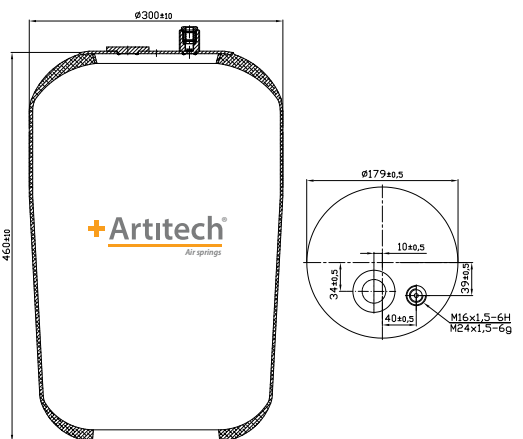
CROSS REFERENCES

CONTITECH 4187 N1  
CONTITECH 4187 N3

OEM PART NO

MERCEDES A 942 320 27 21  
MERCEDES A 942 320 73 21  
MERCEDES A 942 320 19 21  
MERCEDES A 942 320 0757

Product Explanation | Service Assembly



Pallet Quantity : 45

Product Weight :1,80 Kg.

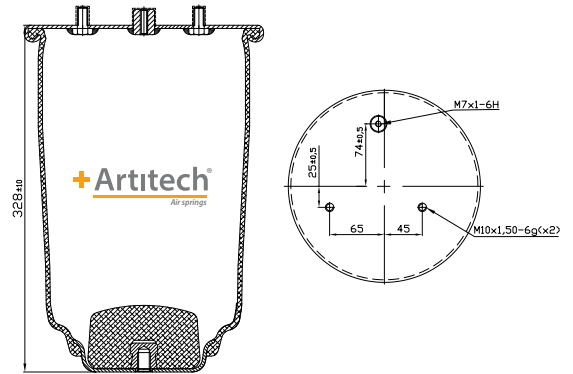
CODE  
**A4.4266.S01**

CROSS REFERENCES

THERE ARE NO CROSS NUMBERS FOR THIS APPL.

OEM PART NO

IVECO 500042606



Pallet Quantity : 45

Product Weight :1,40 Kg.

Product Explanation | Service Assembly

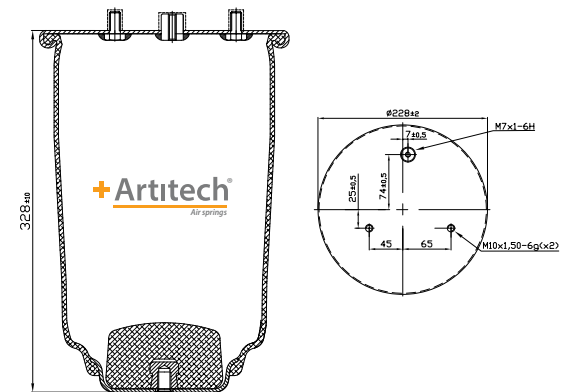
CODE  
**A4.4266.S02**

CROSS REFERENCES

THERE ARE NO CROSS NUMBERS FOR THIS APPL.

OEM PART NO

IVECO 500042666



Pallet Quantity : 45

Product Weight :1,25 Kg.

Product Explanation | Service Assembly

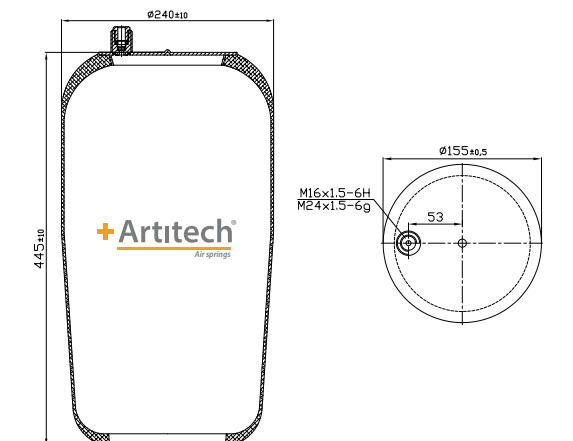
CODE  
**A4.4390.S01**

CROSS REFERENCES

CONTITECH 4390 N1  
CF GOMMA 1VSC 285-30 206782  
DUNLOP D12U25  
GOODYEAR 9507  
PHOENIX 1KF 21-1 NP<sup>II</sup>

OEM PART NO

MERCEDES A 942 328 0001



Pallet Quantity : 45

Product Weight : 1,40 Kg.

Product Explanation | Service Assembly

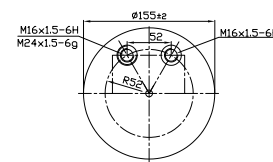
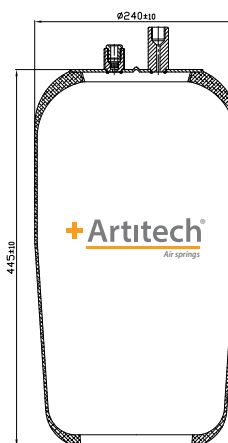
CODE  
**A4.4390.S02**

CROSS REFERENCES

CONTITECH 4390 N2  
CF GOMMA 1VSC 285-30 206784  
DUNLOP D12U26  
GOODYEAR 9508  
PHOENIX 1KF 21-2 NP

OEM PART NO

MERCEDES A 942 328 0101



Product Explanation | Service Assembly

Pallet Quantity : 45

Product Weight :1,80 Kg.

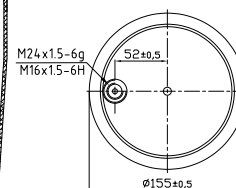
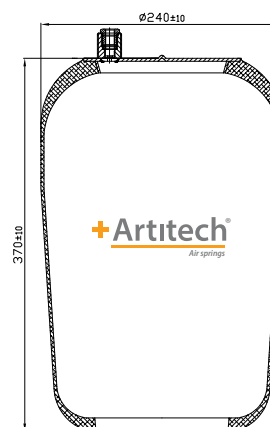
CODE  
**A4.4391.S01**

CROSS REFERENCES

CONTITECH 4391 N1

OEM PART NO

MERCEDES A 942 328 0601



Product Explanation | Service Assembly

Pallet Quantity : 45

Product Weight :1,80 Kg.

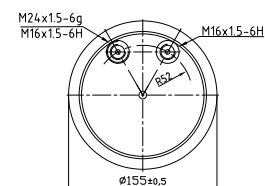
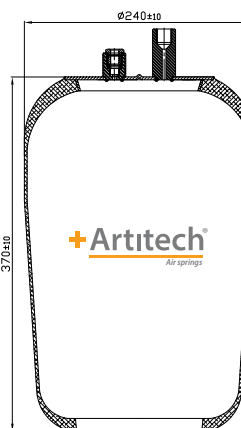
CODE  
**A4.4391.S02**

CROSS REFERENCES

CONTITECH 4391 N2

OEM PART NO

MERCEDES A 942 328 0701



Product Explanation | Service Assembly

Pallet Quantity : 45

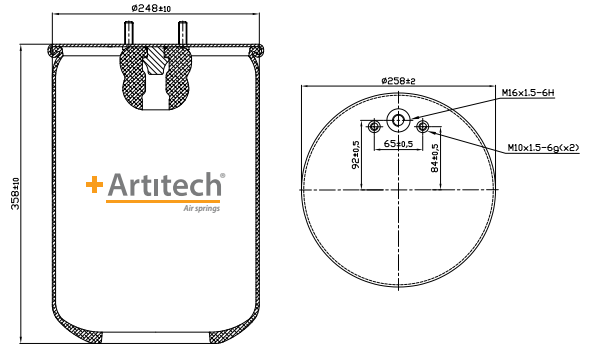
Product Weight : 1,80 Kg.

CODE  
**A4.4420.S**

|                  |                  |
|------------------|------------------|
| CROSS REFERENCES | CONTITECH 4420 N |
|                  |                  |

|             |                 |
|-------------|-----------------|
| OEM PART NO | VOLVO 1 076 076 |
|             |                 |

Product Explanation | Service Assembly



Pallet Quantity : 45

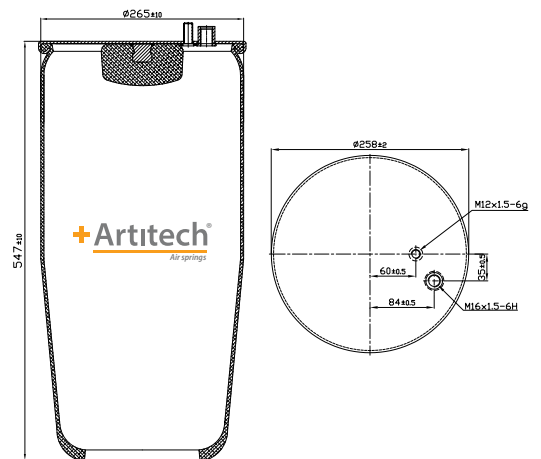
Product Weight :1,40 Kg.

CODE  
**A4.4705.S01**

|                  |                       |
|------------------|-----------------------|
| CROSS REFERENCES | CONTITECH 4705 N1 P01 |
|                  |                       |

|             |                   |
|-------------|-------------------|
| OEM PART NO | MAN 81 43601 0155 |
|             |                   |

Product Explanation | Service Assembly



Pallet Quantity : 45

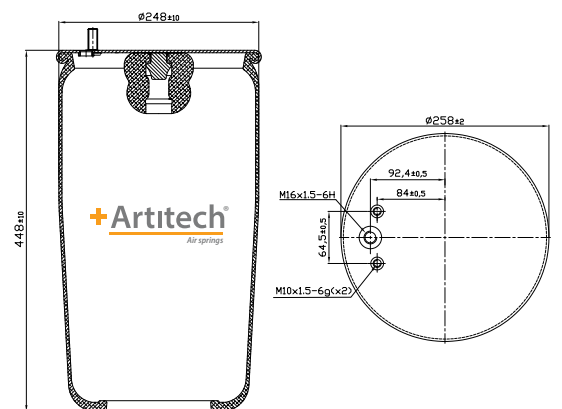
Product Weight :1,25 Kg.

CODE  
**A4.4713.S**

|                  |                      |
|------------------|----------------------|
| CROSS REFERENCES | CONTITECH 4713 N P04 |
|                  | GOODYEAR 1R12-763    |
|                  |                      |

|             |                 |
|-------------|-----------------|
| OEM PART NO | VOLVO 1 076 595 |
|             |                 |

Product Explanation | Service Assembly



Pallet Quantity : 45

Product Weight : 1,40 Kg.

CODE  
**A4.4718.S**

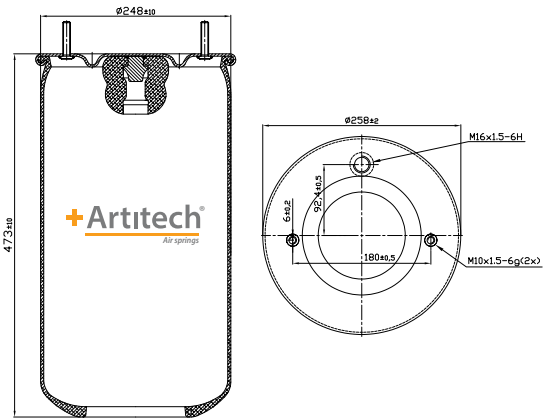
CROSS REFERENCES

CONTITECH 4718 N P02

OEM PART NO

VOLVO 1 079 718

Product Explanation | Service Assembly



Pallet Quantity : 45

Product Weight :1.80 Kg.

CODE  
**A4.4725.S**

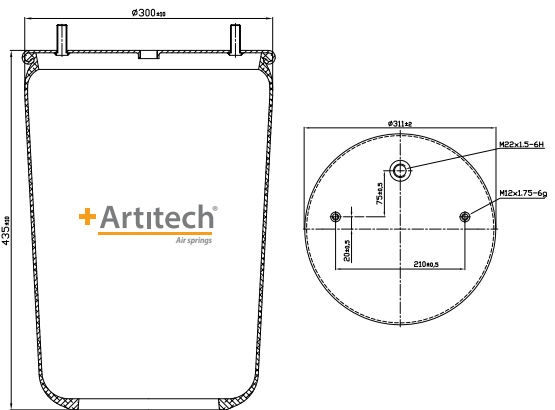
CROSS REFERENCES

CONTITECH 4725 N P01

OEM PART NO

GIGANT 247103

Product Explanation | Service Assembly



Pallet Quantity : 45

Product Weight :1.80 Kg.

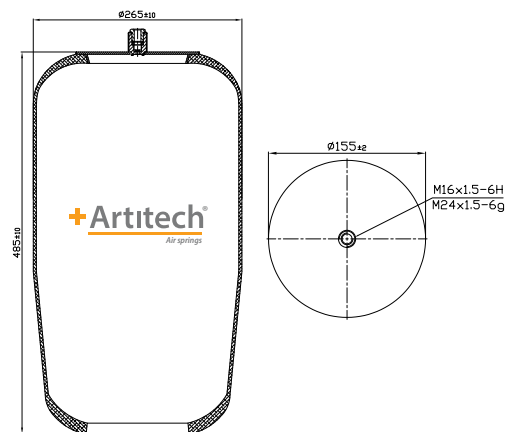
CODE  
**A4.4737.S01**

CROSS REFERENCES

CONTITECH 4737 N

OEM PART NO

Product Explanation | Service Assembly



Pallet Quantity : 45

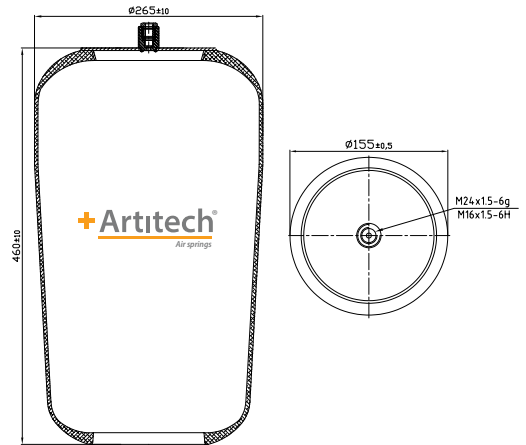
Product Weight : 1.80 Kg.

CODE  
**A4.4757.S01**

|                  |                   |
|------------------|-------------------|
| CROSS REFERENCES | CONTITECH 4757 N1 |
|                  |                   |

|             |                         |
|-------------|-------------------------|
| OEM PART NO | MERCEDES A 942 327 0001 |
|             |                         |

Product Explanation | Service Assembly



Pallet Quantity : 45

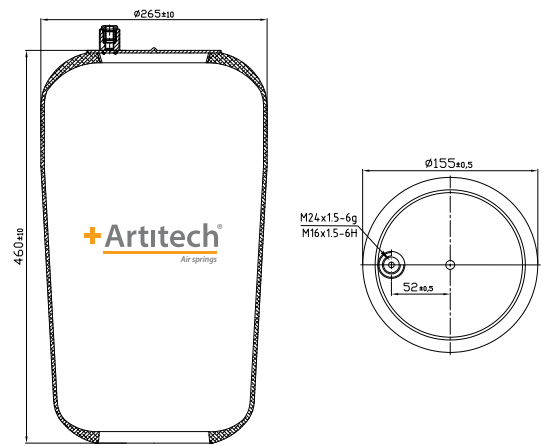
Product Weight :1,40 Kg.

CODE  
**A4.4757.S02**

|                  |                   |
|------------------|-------------------|
| CROSS REFERENCES | CONTITECH 4757 N2 |
|                  |                   |

|             |                         |
|-------------|-------------------------|
| OEM PART NO | MERCEDES A 974 328 0001 |
|             | MERCEDES A 974 328 0101 |

Product Explanation | Service Assembly



Pallet Quantity : 45

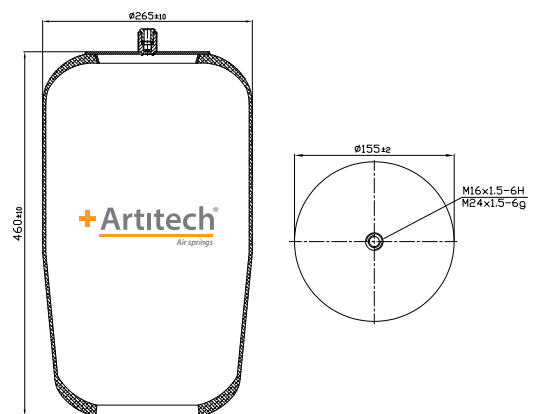
Product Weight :1,25 Kg.

CODE  
**A4.4758.S01**

|                  |                  |
|------------------|------------------|
| CROSS REFERENCES | CONTITECH 4758 N |
|                  |                  |

|             |  |
|-------------|--|
| OEM PART NO |  |
|             |  |

Product Explanation | Service Assembly



Pallet Quantity : 45

Product Weight : 1,40 Kg.

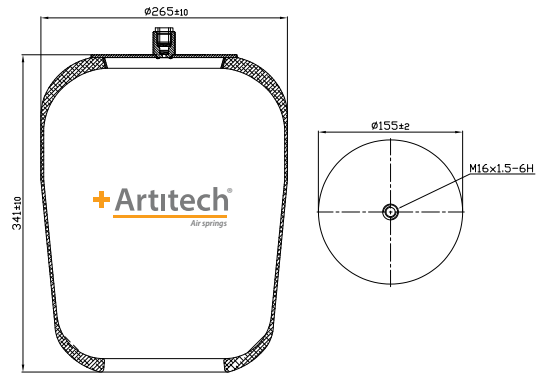
CODE  
**A4.4759.S01**

CROSS REFERENCES

CONTITECH 4759 N

OEM PART NO

MERCEDES A 942 327 0401



Product Explanation | Service Assembly

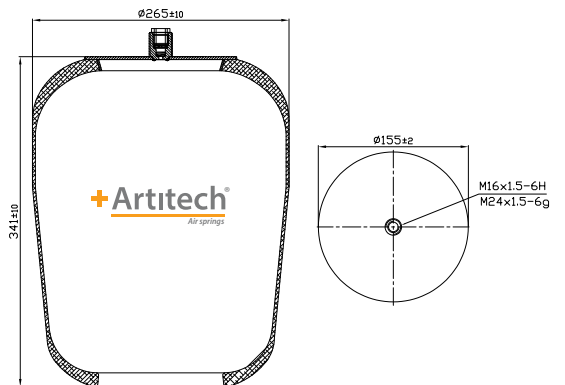
Pallet Quantity : 45

Product Weight :1,80 Kg.

CODE  
**A4.4759.S02**

CROSS REFERENCES

OEM PART NO



Product Explanation | Service Assembly

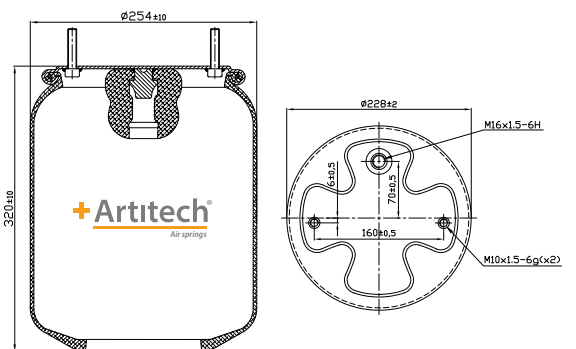
Pallet Quantity : 45

Product Weight :1,80 Kg.

CODE  
**A4.4762.S**

CROSS REFERENCES

OEM PART NO



Product Explanation | Service Assembly

Pallet Quantity : 45

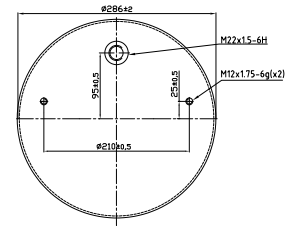
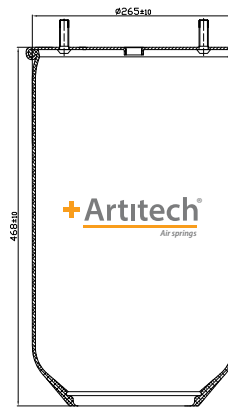
Product Weight : 1,80 Kg.

CODE  
**A4.4810.S**

CROSS REFERENCES

OEM PART NO

|             |               |
|-------------|---------------|
| DAF         | 1 384 273     |
| SAF         | 2.228.0002.00 |
| SAF         | 2.228.2102.00 |
| SAF         | 2.228.2202.00 |
| SAF         | 2.228.2402.00 |
| SAF         | 2.228.2602.00 |
| SAF         | 2.229.0002.00 |
| RENAULT     | 5.000.452.939 |
| WEWELER     | 2120 8082     |
| WEWELER     | US 00622      |
| WEWELER     | US 07337      |
| WEWELER     | US 87413      |
| WEWELER     | US 874131     |
| SCANIA      | 1723502       |
| ROR         | 2120 8082     |
| ROR         | 2121 5632     |
| HENDRICKSON | 506 243       |
| HENDRICKSON | 506 243 / 01  |
| HENDRICKSON | 785 168       |
| GRANNING    | 15635         |



Product Explanation | Service Assembly

Pallet Quantity : 45

Product Weight :1,40 Kg.

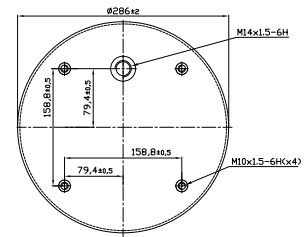
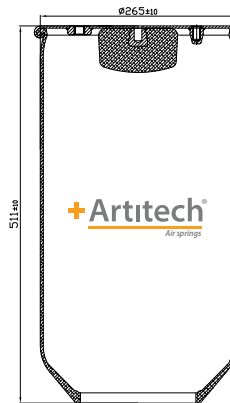
CODE  
**A4.4813.S**

CROSS REFERENCES

|           |              |
|-----------|--------------|
| FIRESTONE | 1T19L-11     |
| FIRESTONE | W01 M58 0918 |

OEM PART NO

|     |         |
|-----|---------|
| ROR | 1107674 |
| ROR | 1314906 |
| ROR | 1865755 |



Product Explanation | Service Assembly

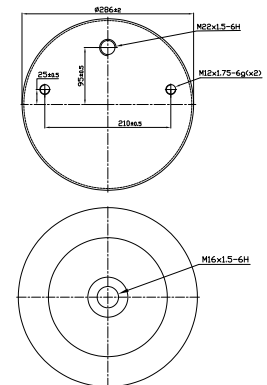
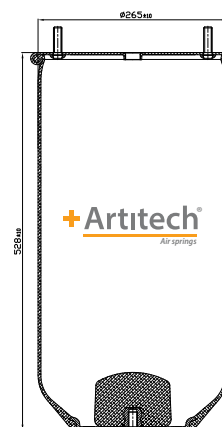
Pallet Quantity : 45

Product Weight :1,25 Kg.

CODE  
**A4.4823.S**

CROSS REFERENCES

OEM PART NO



Product Explanation | Service Assembly

Pallet Quantity : 45

Product Weight : 1,40 Kg.

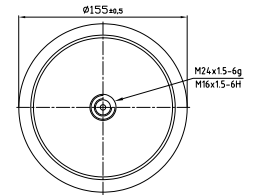
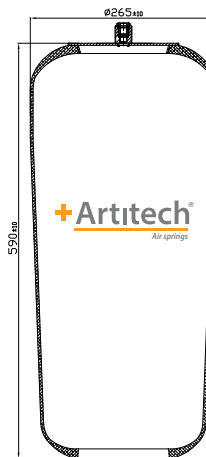


CODE  
**A4.4838.S01**

CROSS REFERENCES

OEM PART NO

Product Explanation | Service Assembly



Pallet Quantity : 45

Product Weight :1.80 Kg.

CODE  
**A4.4881.S02**

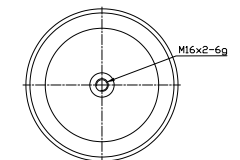
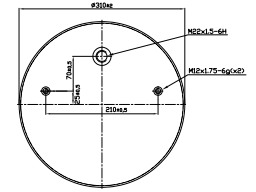
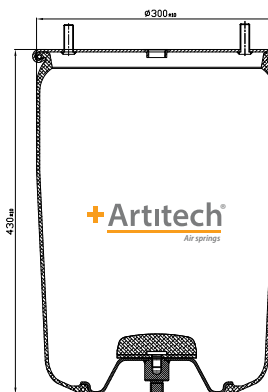
CROSS REFERENCES

CONTITECH 4881 N P02  
DUNLOP D14U37  
FIRESTONE 1T66F-70  
GOODYEAR 1R14-701  
PHOENIX 1DK 32 K  
FIRESTONE W01 M58 8601

OEM PART NO

BPW 05 429 41 01 0  
SCHMITZ 750 570

Product Explanation | Service Assembly



Pallet Quantity : 45

Product Weight :1.80 Kg.

CODE  
**A4.4882.S02**

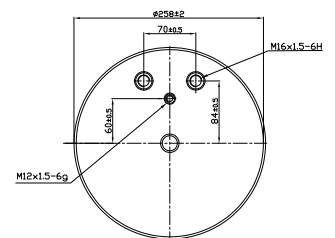
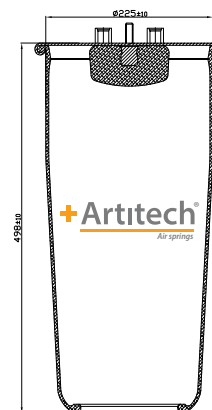
CROSS REFERENCES

CONTITECH 4882 N1 P01  
GOODYEAR 1R10-701

OEM PART NO

MAN 81 43601 0151

Product Explanation | Service Assembly



Pallet Quantity : 45

Product Weight : 1.80 Kg.

CODE  
**A4.4883.S02**

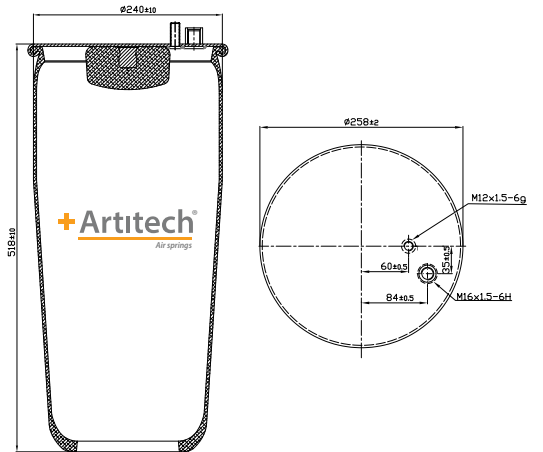
CROSS REFERENCES

CONTITECH 4883 N1 P01

OEM PART NO

MAN 81 43601 0153

Product Explanation | Service Assembly



Pallet Quantity : 45

Product Weight :1,40 Kg.

CODE  
**A4.4884.S01**

CROSS REFERENCES

CONTITECH 4884 N1 P01

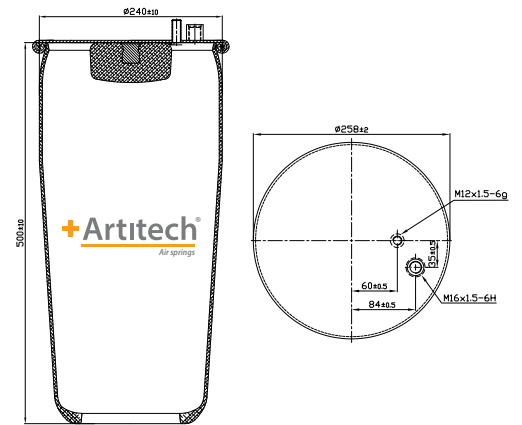
OEM PART NO

MAN 81 43601 0152

MAN 81 43601 0174

MAN 81 43601 0175

Product Explanation | Service Assembly



Pallet Quantity : 45

Product Weight :1,25 Kg.

CODE  
**A4.4884.S02**

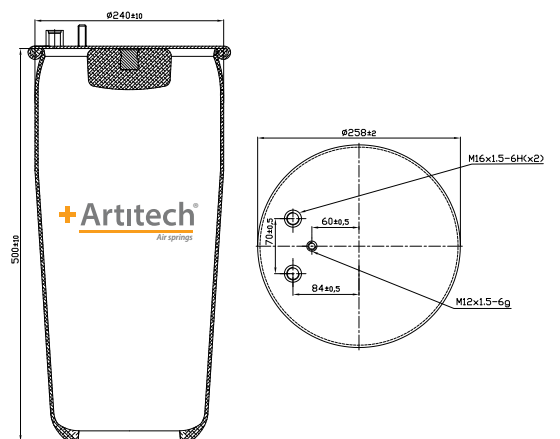
CROSS REFERENCES

CONTITECH 4884 N1 P02

OEM PART NO

MAN 81.43601.0173

Product Explanation | Service Assembly



Pallet Quantity : 45

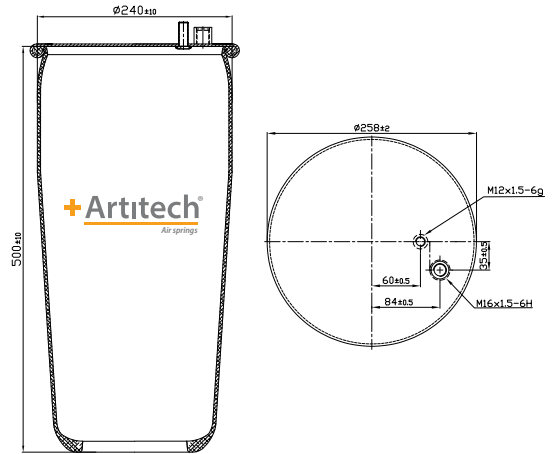
Product Weight : 1,40 Kg.

CODE  
**A4.4884.S03**

|                  |                       |
|------------------|-----------------------|
| CROSS REFERENCES | CONTITECH 4884 N1 P03 |
|                  |                       |

|             |                   |
|-------------|-------------------|
| OEM PART NO | MAN 81.43601.0000 |
|             |                   |

Product Explanation | Service Assembly



Pallet Quantity : 45

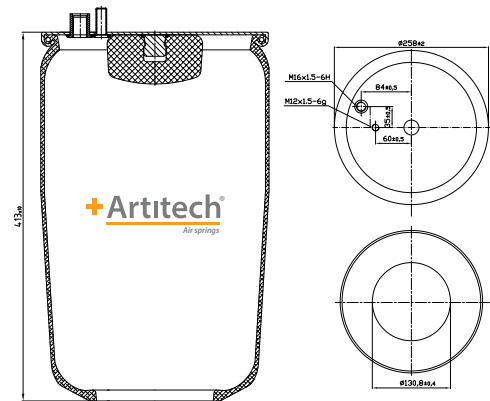
Product Weight :1,80 Kg.

CODE  
**A4.4885.S01**

|                  |                       |
|------------------|-----------------------|
| CROSS REFERENCES | CONTITECH 4885 N1 P01 |
|                  |                       |

|             |                   |
|-------------|-------------------|
| OEM PART NO | MAN 81 43601 0160 |
|             | MAN 81 43601 6071 |

Product Explanation | Service Assembly



Pallet Quantity : 45

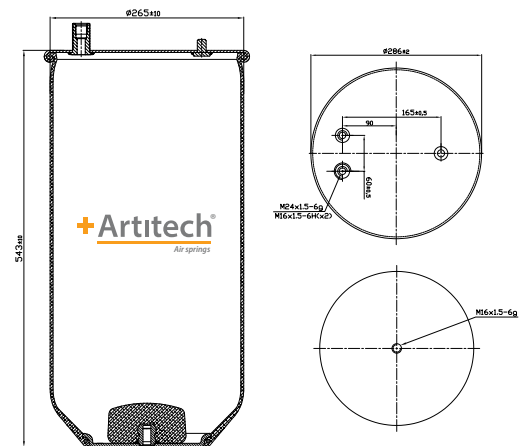
Product Weight :1,80 Kg.

CODE  
**A4.4911.S02**

|                  |                      |
|------------------|----------------------|
| CROSS REFERENCES | CONTITECH 4911 N P02 |
|                  | GOODYEAR 1R13-715    |

|             |  |
|-------------|--|
| OEM PART NO |  |
|             |  |

Product Explanation | Service Assembly



Pallet Quantity : 45

Product Weight : 1,80 Kg.

CODE  
**A4.4913.S04**

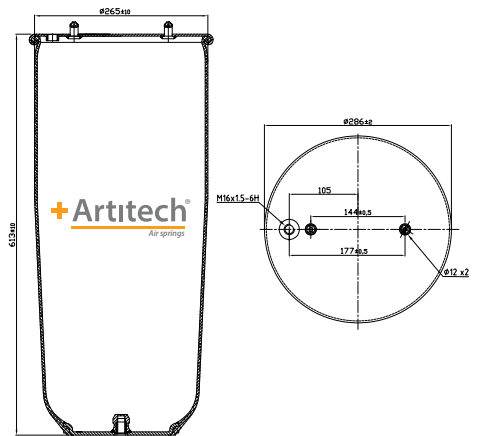
CROSS REFERENCES

|           |               |
|-----------|---------------|
| CONTITECH | 4913 N P04    |
| DUNLOP    | 1D14U42       |
| FIRESTONE | 1T19L-14      |
| GOODYEAR  | 1R14-755      |
| PHOENIX   | 1D 28 H-16 NP |
| FIRESTONE | W01 095 0365  |

OEM PART NO

SCANIA 1379393

Product Explanation | Service Assembly



Pallet Quantity : 45

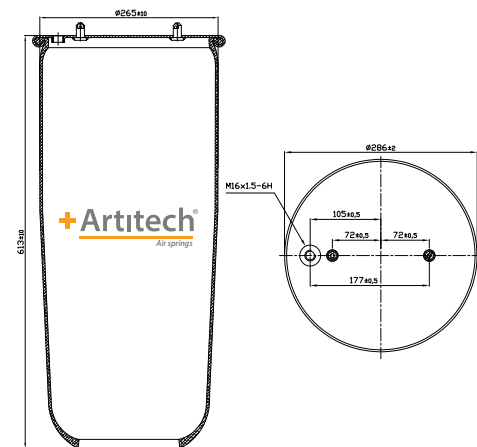
Product Weight :1,40 Kg.

CODE  
**A4.4913.S10**

CROSS REFERENCES

OEM PART NO

Product Explanation | Service Assembly



Pallet Quantity : 45

Product Weight :1,25 Kg.

CODE  
**A4.4916.S01**

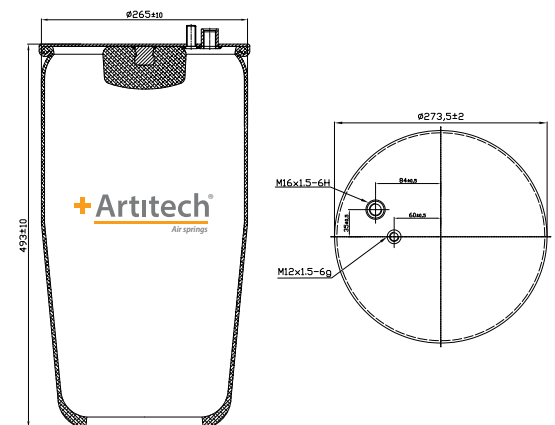
CROSS REFERENCES

|           |             |
|-----------|-------------|
| CONTITECH | 4916 N1 P01 |
|-----------|-------------|

OEM PART NO

MAN 81.43601.0158

Product Explanation | Service Assembly



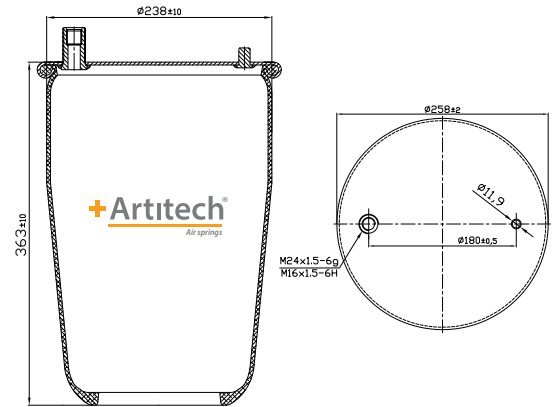
Pallet Quantity : 45

Product Weight : 1,40 Kg.

CODE  
**A4.4929.S**

|                         |                         |
|-------------------------|-------------------------|
| <b>CROSS REFERENCES</b> | CONTITECH 4929 N P01 RT |
|                         | AIRTECH 34929 P         |

|                    |                |
|--------------------|----------------|
| <b>OEM PART NO</b> | NEWAY 90557009 |
|                    |                |



Product Explanation | Service Assembly

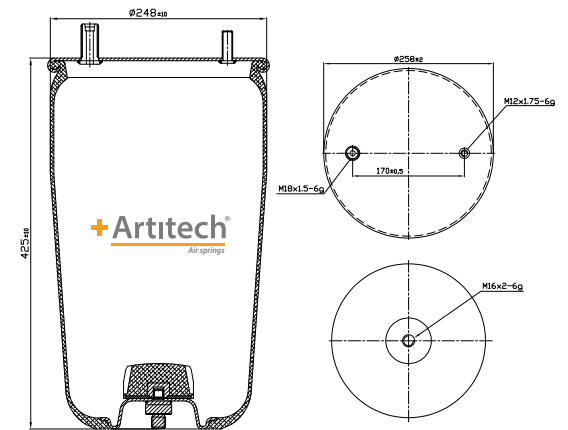
Pallet Quantity : 45

Product Weight :1,80 Kg.

CODE  
**A4.4940.S02**

|                         |                      |
|-------------------------|----------------------|
| <b>CROSS REFERENCES</b> | CONTITECH 4940 N P02 |
|                         |                      |

|                    |                    |
|--------------------|--------------------|
| <b>OEM PART NO</b> | BPW 05 429 41 56 0 |
|                    | BPW TYPE 30 K      |



Product Explanation | Service Assembly

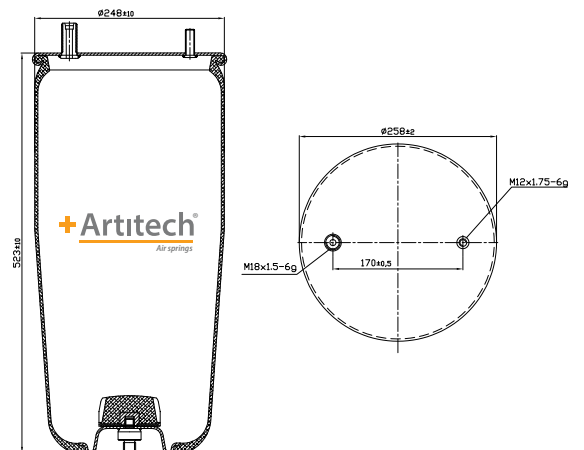
Pallet Quantity : 45

Product Weight :1,80 Kg.

CODE  
**A4.4941.S02**

|                         |                      |
|-------------------------|----------------------|
| <b>CROSS REFERENCES</b> | CONTITECH 4941 N P02 |
|                         |                      |

|                    |                    |
|--------------------|--------------------|
| <b>OEM PART NO</b> | BPW 05 429 41 25 0 |
|                    |                    |



Product Explanation | Service Assembly

Pallet Quantity : 45

Product Weight : 1,80 Kg.

CODE  
**A4.4942.S02**

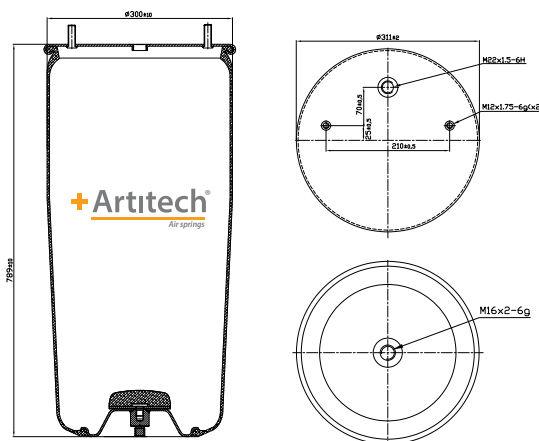
CROSS REFERENCES

CONTITECH 4942 N P02

OEM PART NO

BPW 05 429 41 09 0

Product Explanation | Service Assembly



Pallet Quantity : 45

Product Weight :1,40 Kg.

CODE  
**A4.4960.S02**

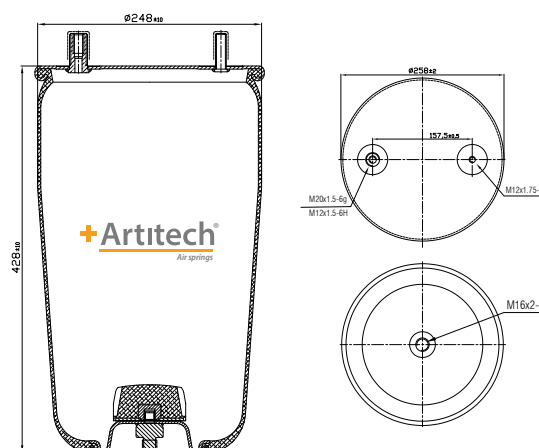
CROSS REFERENCES

CONTITECH 4960 N P02

OEM PART NO

BPW 05 429 41 77 0

Product Explanation | Service Assembly



Pallet Quantity : 45

Product Weight :1,25 Kg.

CODE  
**A4.4961.S02**

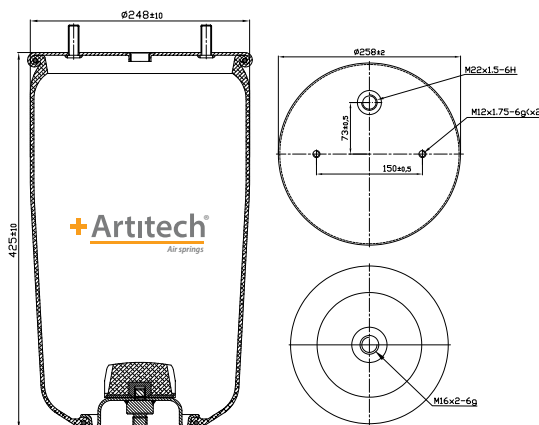
CROSS REFERENCES

CONTITECH 4961 N P02

OEM PART NO

BPW 05 429 42 04 0

Product Explanation | Service Assembly



Pallet Quantity : 45

Product Weight : 1,40 Kg.

CODE  
**A4.4962.S02**

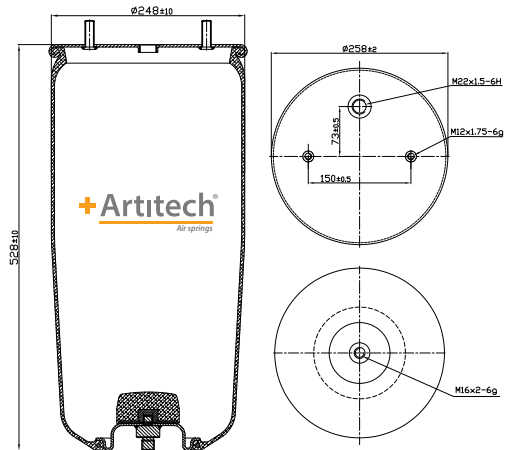
CROSS REFERENCES

CONTITECH 4962 N P02

OEM PART NO

BPW 5 429 42 03 0

Product Explanation | Service Assembly



Pallet Quantity : 45

Product Weight :1,80 Kg.

CODE  
**A4.4963.S01**

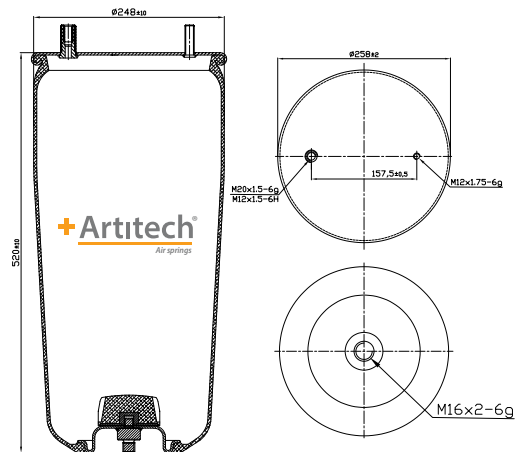
CROSS REFERENCES

CONTITECH 4963 N P01

OEM PART NO

BPW 05 429 42 54 0

Product Explanation | Service Assembly



Pallet Quantity : 45

Product Weight :1,80 Kg.

CODE  
**A4.6050.S**

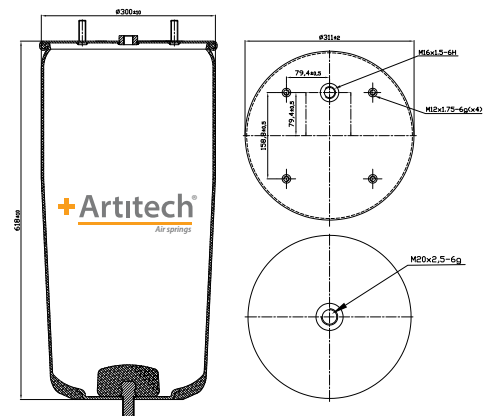
CROSS REFERENCES

CF GOMMA 1TC 360-50  
PHOENIX 1DK 32 E-4  
GOODYEAR 1R14-809

OEM PART NO

KASSBOHRER 4 731 043 000  
KASSBOHRER 4 731 043 100 13

Product Explanation | Service Assembly



Pallet Quantity : 45

Product Weight : 1,80 Kg.

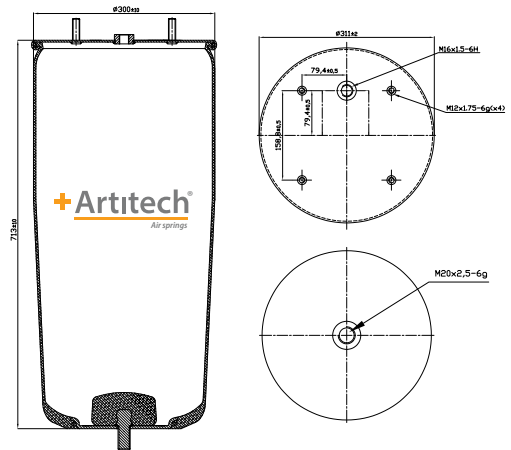
CODE  
**A4.6055.S**

CROSS REFERENCES

CF GOMMA 1TC 360-55

OEM PART NO

KASSBOHRER 4 731 044 100



Pallet Quantity : 45

Product Weight :1,40 Kg.

Product Explanation | Service Assembly

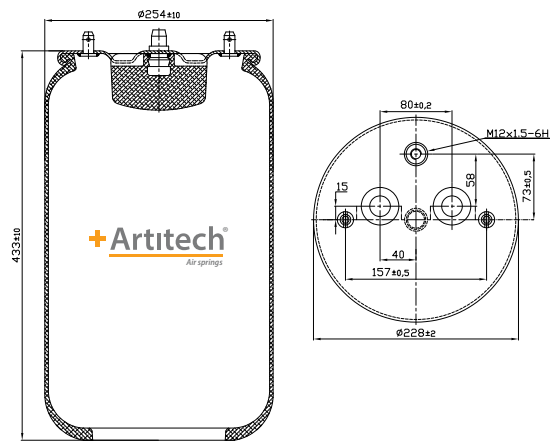
CODE  
**A4.6199.S**

CROSS REFERENCES

PHOENIX 1 DF 23 C-1  
AIRTECH 36199 P

OEM PART NO

SCANIA 1386199



Pallet Quantity : 45

Product Weight :1,25 Kg.

Product Explanation | Service Assembly

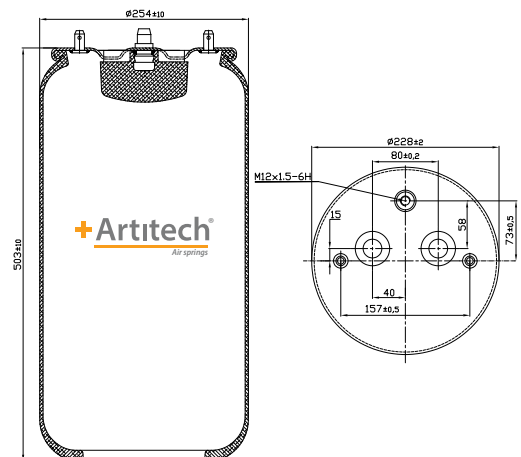
CODE  
**A4.6200.S**

CROSS REFERENCES

PHOENIX 1 DF 23 D-1  
AIRTECH 36200 P

OEM PART NO

SCANIA 1386200



Pallet Quantity : 45

Product Weight : 1,40 Kg.

Product Explanation | Service Assembly



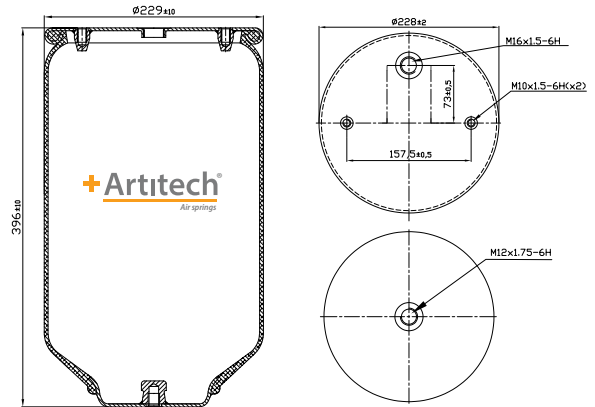
CODE  
**A4.6251.S**

CROSS REFERENCES

FIRESTONE W01-M58-6251  
(WITHOUT PISTON)  
GOODYEAR 1R11-826  
AIRTECH 36251

OEM PART NO

SCANIA 1402423  
SCANIA 1314903  
GRANNING 15619  
WABCO 951 811 008 0



Product Explanation | Service Assembly

Pallet Quantity : 45

Product Weight :1,80 Kg.

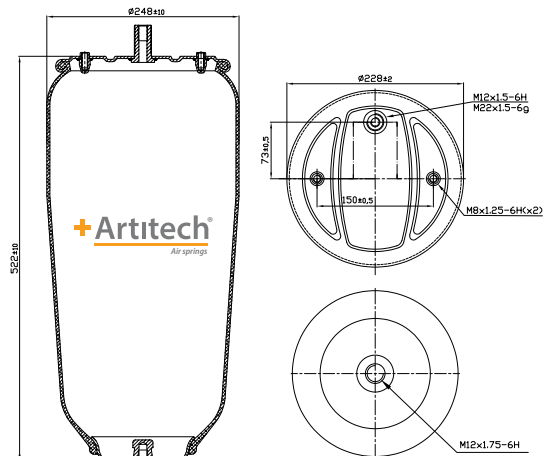
CODE  
**A4.6318.S**

CROSS REFERENCES

FIRESTONE 1T15MPW-9  
FIRESTONE W01-M58-6318  
AIRTECH 36318 P

OEM PART NO

SCHMITZ 016 512  
WEWELER US 06318F



Product Explanation | Service Assembly

Pallet Quantity : 45

Product Weight :1,80 Kg.

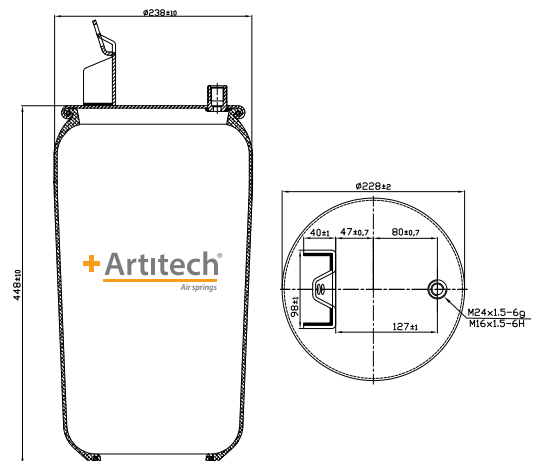
CODE  
**A4.7803.S**

CROSS REFERENCES

CONTITECH 7803 N

OEM PART NO

VOLVO 20 427 803



Product Explanation | Service Assembly

Pallet Quantity : 45

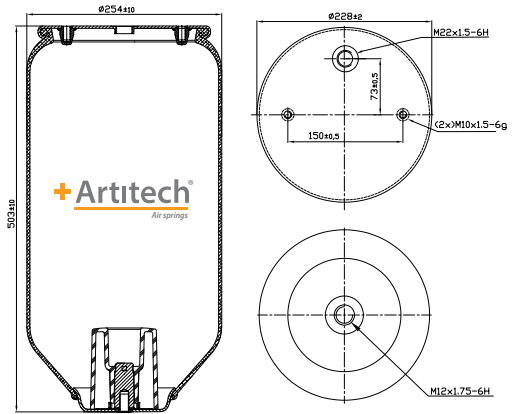
Product Weight : 1,80 Kg.

CODE  
**A4.8185.S**

CROSS REFERENCES

FIRESTONE 1T15MPW-9  
FIRESTONE W01 M58 6257

OEM PART NO



Product Explanation | Service Assembly

Pallet Quantity : 45

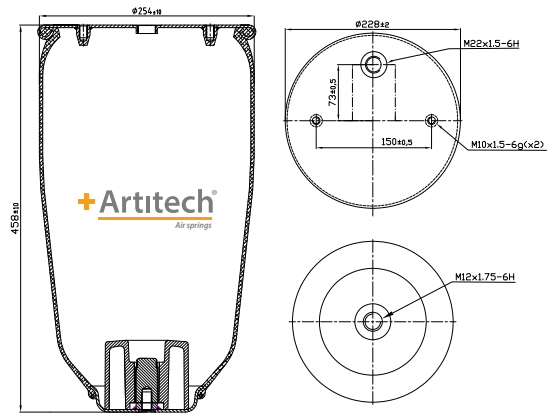
Product Weight :1,40 Kg.

CODE  
**A4.8186.S**

CROSS REFERENCES

FIRESTONE 1T15MPW-7  
FIRESTONE W01 M58 8194

OEM PART NO



Product Explanation | Service Assembly

Pallet Quantity : 45

Product Weight :1,25 Kg.

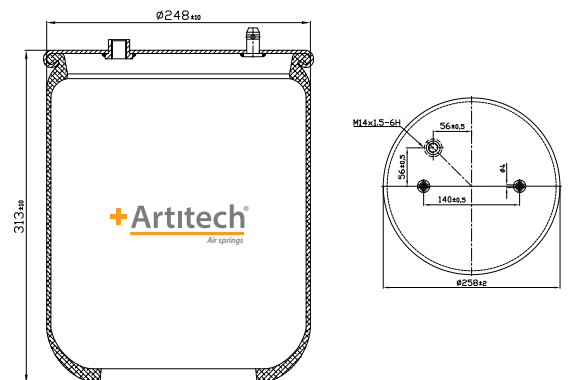
CODE  
**A4.40301.S**

CROSS REFERENCES

PHOENIX 1 DF 23 B-1  
FIRESTONE 1T15VR-3  
FIRESTONE W01-S15-8192  
GOODYEAR 1R13-746  
AIRTECH 330301

OEM PART NO

SCANIA 1440301  
SCANIA 488265  
SCANIA 470920



Product Explanation | Service Assembly

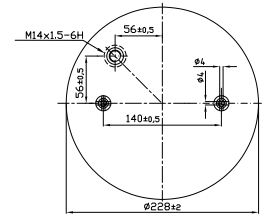
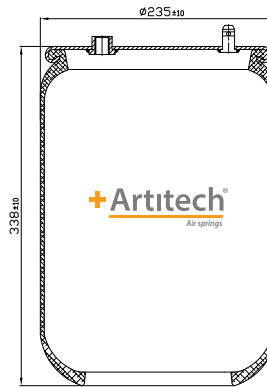
Pallet Quantity : 45

Product Weight : 1,40 Kg.

CODE  
**A4.40303.S**

| CROSS REFERENCES | AIRTECH | 331114 P |
|------------------|---------|----------|
|------------------|---------|----------|

| OEM PART NO | SCANIA | 488263  |
|-------------|--------|---------|
|             | SCANIA | 1440303 |
|             | SCANIA | 1475106 |
|             | SCANIA | 1521114 |



Product Explanation | Service Assembly

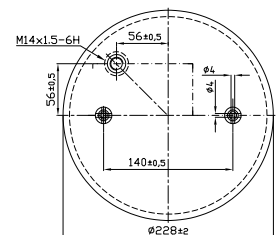
Pallet Quantity : 45

Product Weight :1.80 Kg.

CODE  
**A4.40304.S**

| CROSS REFERENCES | PHOENIX   | 1 DF 20 A-1  |
|------------------|-----------|--------------|
|                  | FIRESTONE | 1T15LR-4     |
|                  | FIRESTONE | W01-095-0424 |
|                  | GOODYEAR  | 1R11-829     |
|                  | AIRTECH   | 3303014 P    |

| OEM PART NO | MERCEDES | 1440304 |
|-------------|----------|---------|
|             | MERCEDES | 470922  |
|             | ROR      | MLF7142 |



Product Explanation | Service Assembly

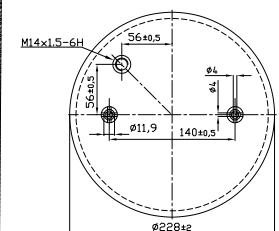
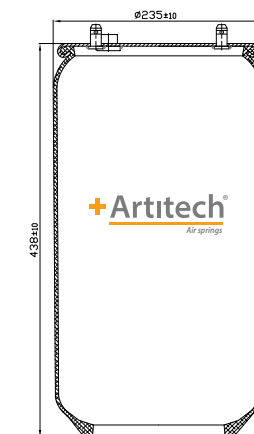
Pallet Quantity : 45

Product Weight :1.80 Kg.

CODE  
**A4.40305.S**

| CROSS REFERENCES | CONTITECH    | 1 DF 20 A-2   |
|------------------|--------------|---------------|
|                  | FIRESTONE    | 1T15LR-4      |
|                  | FIRESTONE    | W01-095-0481  |
|                  | GOODYEAR     | 1R11-830      |
|                  | GOODYEAR     | 566-22-3-545  |
|                  | VIBRACOUSTIC | V 1 DF 20 C-2 |
|                  | AIRTECH      | 330305 P      |

| OEM PART NO | SCANIA | 1440305 |
|-------------|--------|---------|
|             | SCANIA | 792680  |
|             | SCANIA | 1440859 |
|             | ROR    | MLF7143 |



Product Explanation | Service Assembly

Pallet Quantity : 45

Product Weight : 1.80 Kg.

# 04

## **BELLOWS**

### Air Springs



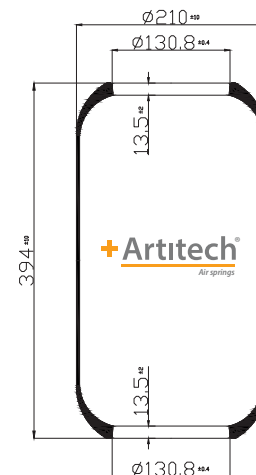
CODE  
**A4.644.R**

CROSS REFERENCES

|           |              |
|-----------|--------------|
| CONTITECH | 644 N        |
| FIRESTONE | 1R1A 390295  |
| FIRESTONE | W01 095 0118 |
| GOODYEAR  | 8017         |
| PHOENIX   | 1E 21        |

OEM PART NO

|                   |                |
|-------------------|----------------|
| BREDA MENARINI    | 199 196        |
| DAEWOO            | 967 08659      |
| DAF               | 0 689 677      |
| EVOBUS            | A 000 327 0101 |
| EVOBUS            | A 000 327 0201 |
| EVOBUS            | A 307 328 0001 |
| KASSBOHRER        | 4 771 143 000  |
| KASSBOHRER        | 4 771 170 000  |
| MAN               | 81 43601 0017  |
| MERCEDES (BRAZIL) | A 364 327 7001 |
| PREVOST           | 63-0187        |



Product Explanation | Bellows Air Springs

Pallet Quantity : 45 | Product Weight : 1,40 Kg.

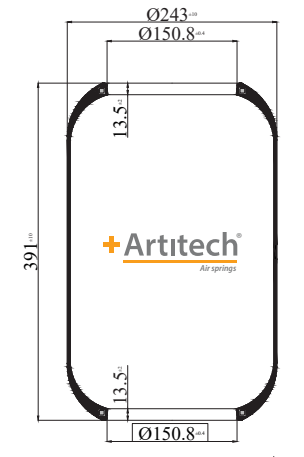
CODE  
**A4.661.R**

CROSS REFERENCES

|           |              |
|-----------|--------------|
| CONTITECH | 661N         |
| FIRESTONE | 1R1C 390310  |
| FIRESTONE | W01 095 0021 |
| GOODYEAR  | 8018         |
| PHOENIX   | 1E 25        |
| TAURUS    | B 114        |

OEM PART NO

|            |                 |
|------------|-----------------|
| IVECO      | 41822247        |
| IVECO      | 4746733         |
| KASSBOHRER | 4 731 012 000   |
| KASSBOHRER | 4 731 031 000   |
| KASSBOHRER | 4 731 042 000   |
| MERCEDES   | A 410 327 00 01 |
| NEOPLAN    | 1001 10 100     |
| NEOPLAN    | 1001 12 250     |
| NEOPLAN    | 1021 002 00     |
| VOLVO      | 1 137 888       |



Product Explanation | Bellows Air Springs

Pallet Quantity : 45 | Product Weight :1,80 Kg.

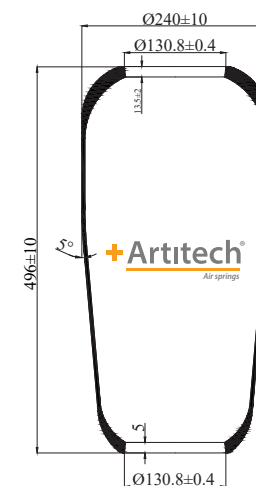
CODE  
**A4.713.R**

CROSS REFERENCES

|           |          |
|-----------|----------|
| CONTITECH | 713 N    |
| GOODYEAR  | 9066     |
| PHOENIX   | 1 F 21 D |

OEM PART NO

|       |           |
|-------|-----------|
| VOLVO | 1 622 116 |
| VOLVO | 6 797 169 |



Product Explanation | Bellows Air Springs

Pallet Quantity : 45 | Product Weight :1,80 Kg.

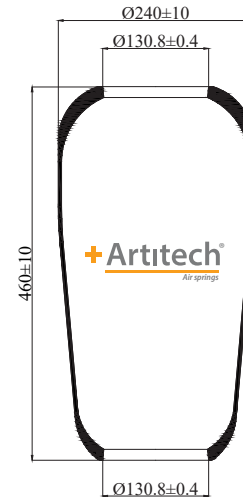
CODE  
**A4.720.R**

CROSS REFERENCES

|           |                  |
|-----------|------------------|
| CF GOMMA  | 1SC 290-30 88802 |
| CONTITECH | 720 N            |
| FIRESTONE | 1R2A 460295      |
| FIRESTONE | W01 095 0195     |
| GOODYEAR  | 9008             |
| PHOENIX   | 1 F 21           |
| TAURUS    | B 152            |

OEM PART NO

|          |                |
|----------|----------------|
| BPW      | 02 200 24 10 0 |
| DENNIS   | 686 1/2        |
| MAN      | 81 43601 0033  |
| MAN      | 81 43601 0036  |
| MAN      | 81 43601 0037  |
| MERCEDES | A 387 328 0101 |
| NEOPLAN  | 1001 123 00    |
| VOLVO    | 1 590 136      |
| VOLVO    | 1 622 115      |
| VOLVO    | 1 629 193      |



Product Explanation | Bellows Air Springs

Pallet Quantity : 45 | Product Weight : 1,80 Kg.

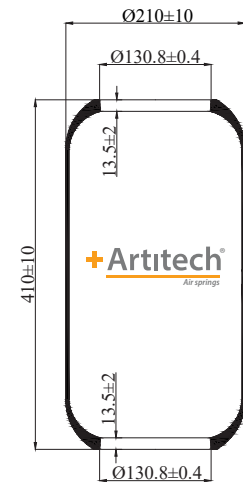
CODE  
**A4.782.R**

CROSS REFERENCES

|           |                 |
|-----------|-----------------|
| CF GOMMA  | 1S 285-25 97555 |
| CONTITECH | 782             |
| DUNLOP FR | D11S02          |
| FIRESTONE | 1R1A 415285     |
| FIRESTONE | W01 095 0197    |
| GOODYEAR  | 9013            |
| TAURUS    | B 124           |

OEM PART NO

|             |                |
|-------------|----------------|
| IRISBUS     | 5 000 324 098  |
| IRISBUS     | 5 000 954 176  |
| IVECO       | 4703904        |
| IVECO       | 4703972        |
| IVECO BUS   | 500 324 098    |
| MERCEDES    | A 382 327 7201 |
| RENAULT RVI | 5000 954 176   |



Product Explanation | Bellows Air Springs

Pallet Quantity : 45 | Product Weight :1,40 Kg.

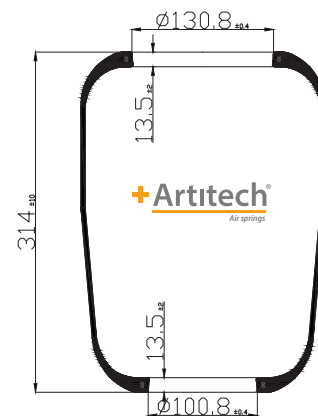
CODE  
**A4.817.R**

CROSS REFERENCES

|           |                  |
|-----------|------------------|
| CF GOMMA  | 1SC260-30 97613  |
| CONTITECH | 817 N            |
| GART      | C289/BS 2890.301 |

OEM PART NO

|                |               |
|----------------|---------------|
| BREDA MENARINI | 252 933       |
| IRISBUS        | 5.000.768.641 |
| IRISBUS        | 5.000.805.998 |
| IRISBUS        | 5.810.805.998 |
| RENAULT RVI    | 5.810.111.355 |



Product Explanation | Bellows Air Springs

Pallet Quantity : 45 | Product Weight :1,25 Kg.

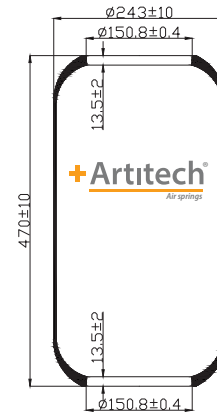
CODE  
**A4.876.R**

CROSS REFERENCES

CONTITECH 876 N  
GOODYEAR 8314

OEM PART NO

IVECO 41 022 620  
41 022 620  
IVECO 8139068  
RENAULT RVI 5000 296 816  
5000 296 816



Product Explanation | Bellows Air Springs

Pallet Quantity : 45 Product Weight : 2 Kg.

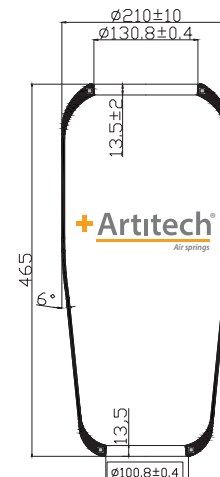
CODE  
**A4.882.R**

CROSS REFERENCES

CONTITECH 882 N1  
PHOENIX 1 F 16  
FIRESTONE 1R4R465-260  
FIRESTONE W01-095-0435  
GOODYEAR 9048  
GOODYEAR 556-03-9048  
VIBRACOUSTIC V1F16  
CF GOMMA 1SC250-28  
CF GOMMA 97042  
GART C289/D  
GART 289.0.400  
BLACKTECH RL9993  
AIRTECH "3882"

OEM PART NO

MAN 81.43601.0065  
MAN 81.43601.0067  
MAN 81.43601.0070  
MAN 81.43601.0092  
MAN 81.43601.0099  
MAN 81.43601.0103  
MAN 81.43601.0121  
MAN 81.43601.0132



Product Explanation | Bellows Air Springs

Pallet Quantity : 45 Product Weight : 1,80 Kg.

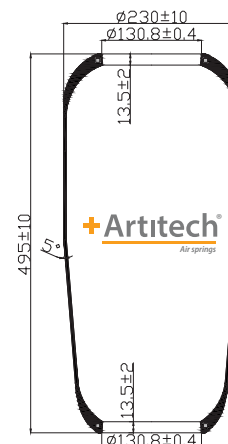
CODE  
**A4.883.R**

CROSS REFERENCES

CF GOMMA 1SC 250-29 204250  
CONTITECH 883 N1  
FIRESTONE 1R4R 465 260  
FIRESTONE W01 095 0435  
GOODYEAR 9012  
PHOENIX 1F 21 C-2

OEM PART NO

MAN 81 43601 0071  
MAN 81 43601 0072  
MAN 81 43601 0110  
MAN 81 43601 0128  
MAN 81 43601 0132  
VOLVO 1 082 085  
VOLVO 1 082 130



Product Explanation | Bellows Air Springs

Pallet Quantity : 45 Product Weight : 2,50 Kg.

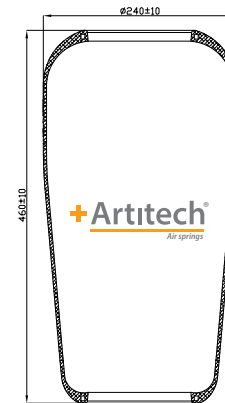
CODE  
**A4.916.R**

CROSS REFERENCES

|           |              |
|-----------|--------------|
| CONTITECH | 916 N1       |
| DUNLOP FR | D12S05       |
| FIRESTONE | 2R2A 460 295 |
| FIRESTONE | W01 095 0555 |
| GOODYEAR  | 9015         |
| PHOENIX   | 1F 21 C-5    |
| TAURUS    | B 154        |

OEM PART NO

|          |                |
|----------|----------------|
| MAN      | 81 43601 0095  |
| MAN      | 81 43601 0097  |
| MAN      | 81 43601 0100  |
| MAN      | 81 43601 0102  |
| MAN      | 81 43601 0105  |
| MAN      | 81 43601 0126  |
| MAN      | 81 43601 0138  |
| OPTARE   | L 5820005      |
| TEMSA    | ./.            |
| ZF SACHS | 0017 700 00160 |



Product Explanation | Bellows Air Springs

Pallet Quantity : 45

Product Weight : 2 Kg.

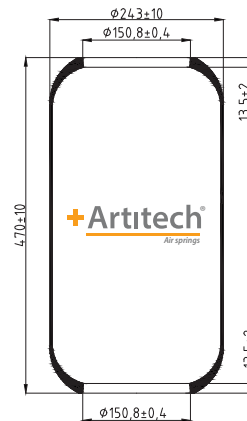
CODE  
**A4.1888.R**

CROSS REFERENCES

|           |      |
|-----------|------|
| CONTITECH | 1888 |
|-----------|------|

OEM PART NO

|       |                 |
|-------|-----------------|
| MAN   | 81 43601 0163   |
| SACHS | 00 1748 451 100 |



Product Explanation | Bellows Air Springs

Pallet Quantity : 45

Product Weight : 2 Kg.

CODE  
**A4.9208.R**

CROSS REFERENCES

OEM PART NO



Product Explanation | Bellows Air Springs

Pallet Quantity : 33

Product Weight : 2,3 Kg.



# 05

## **ALUMINUM COMPLETE**

### Air Springs



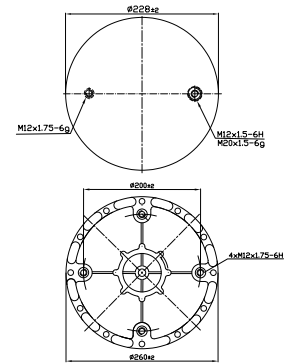
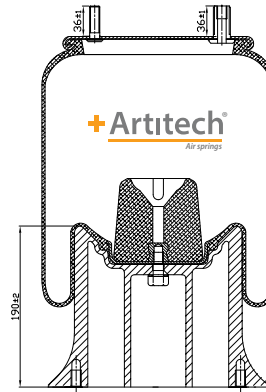
CODE  
**A4.4159.CAL06**

CROSS REFERENCES

|              |              |
|--------------|--------------|
| CONTITECH    | 4159 N P03   |
| PHOENIX      | 1 DK 23 L-27 |
| VIBRACOUSTIC | V1DK23L-40   |
| GART         | 278.4.511/1  |
| GOODYEAR     | 1R12-701     |

OEM PART NO

|       |          |
|-------|----------|
| SAMRO | H2500425 |
|-------|----------|



Product Explanation | Aluminum Complete Air Springs

Pallet Quantity : 28

Product Weight : 8,3 Kg.

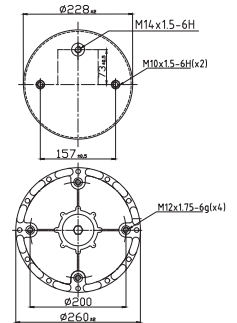
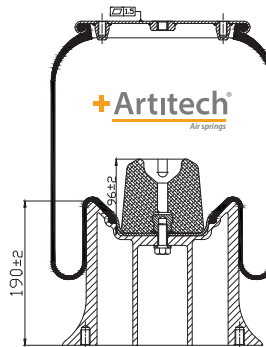
CODE  
**A4.4159.CAL07**

CROSS REFERENCES

|           |              |
|-----------|--------------|
| FIRESTONE | 1T15M-9      |
| FIRESTONE | W01 M58 7308 |
| GOODYEAR  | 1R12-713     |

OEM PART NO

|        |         |
|--------|---------|
| SCANIA | 1314905 |
|--------|---------|



Product Explanation | Aluminum Complete Air Springs

Pallet Quantity : 28

Product Weight : 9 Kg.

**+Artitech<sup>®</sup>**  
*Air springs*

TEL : +90 (224) 441 20 82

Kayapa Organize Sanayi Bölgesi  
Menekşe Caddesi No: 10  
Nilüfer - Bursa / Türkiye

[info@artitechautomotive.com](mailto:info@artitechautomotive.com)

[www.artitechautomotive.com](http://www.artitechautomotive.com)